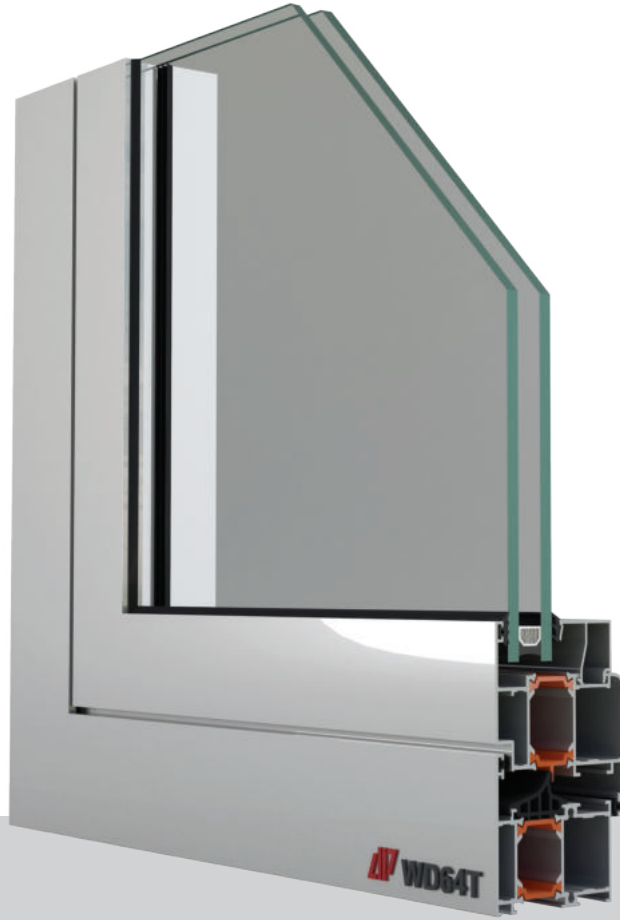
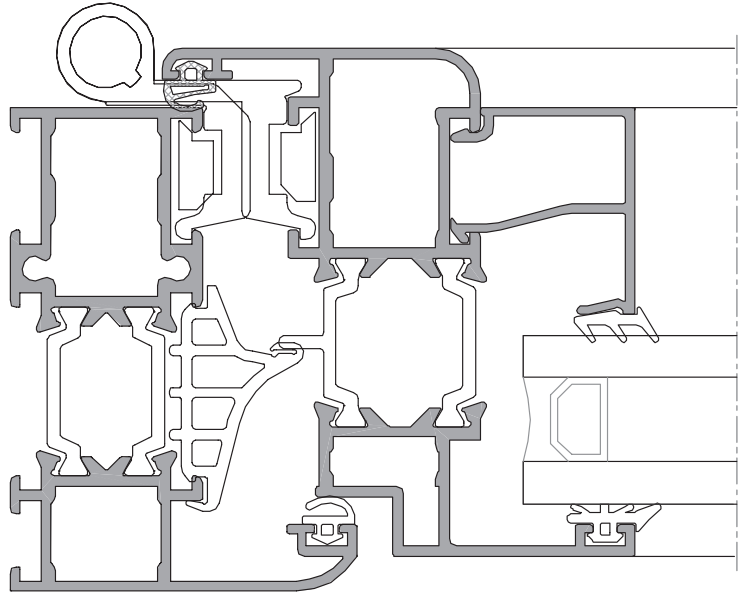
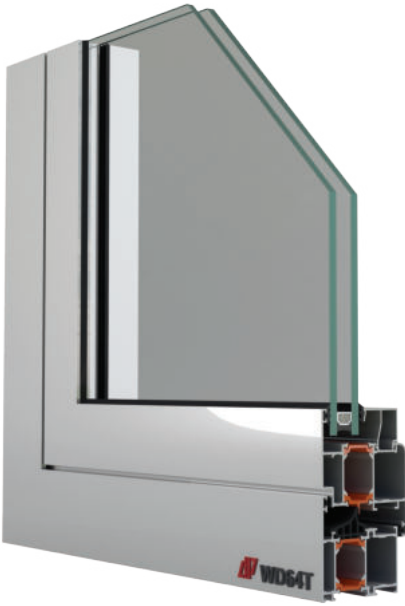




Kapı - Pencere Sistem
Door - Window System



WD64T



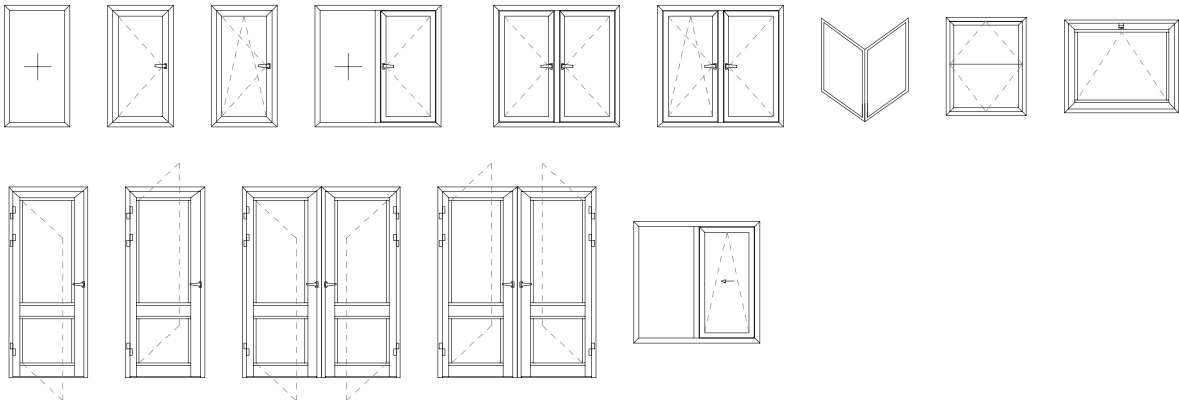
TEKNİK ÖZELLİKLER / TECHNICAL PROPERTIES

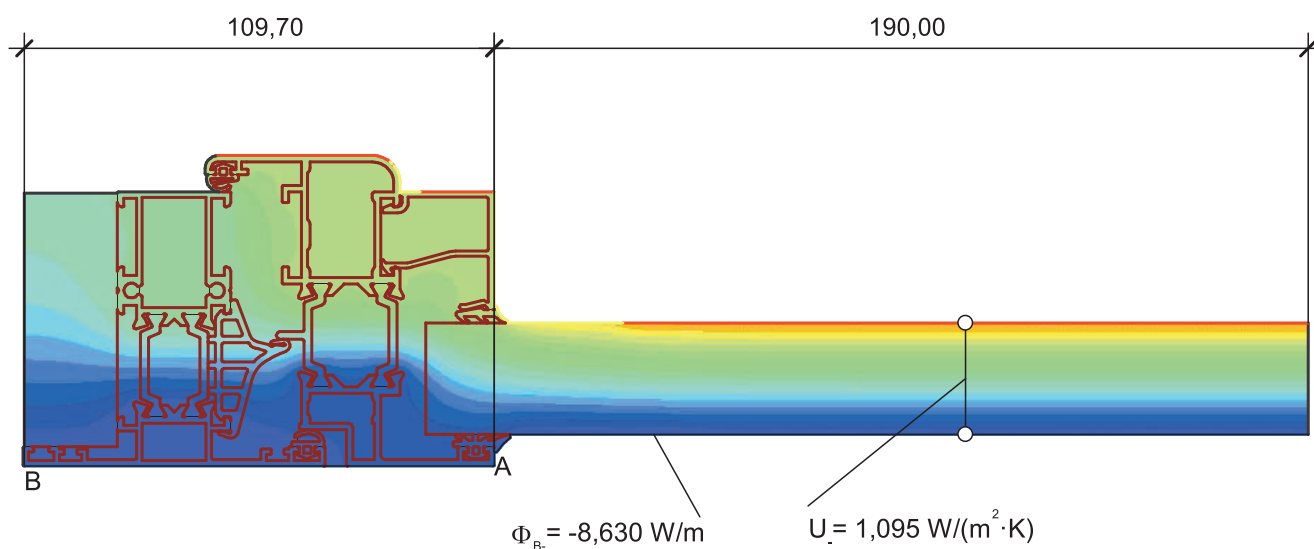
| | |
|---|------------------------|
| KASA DERİNLİĞİ / FRAME DEPTH | 64 mm |
| KANAT DERİNLİĞİ / SASH DEPTH | 72,5 mm |
| ET KALINLIĞI / WALL THICKNESS | 1.5 mm - 1.8 mm - 2 mm |
| MAKS. CAM KALINLIĞI / MAX GLASS THICKNESS | 10 mm - 40 mm |
| ISI BARIYER / THERMAL BREAK | 24 mm |

PERFORMANS DEĞERLERİ / PERFORMANCE VALUES

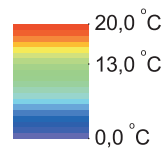
| | |
|--|---|
| HAVA GEÇİRGENLİK / AIR PERMEABILITY | EN 12207 : Class4 (600PA) |
| SU SIZDIRMAZLIK / WATERTIGHTNESS | EN 12208 : 9A (600PA) |
| RÜZGAR YÜKÜ / WIND RESISTANCE | EN 12210 : Class3 (1200PA) |
| ISI YALITIM DEĞERİ / THERMAL INSULATION VALUE (UF) | EN 10077-2 : 2.00 - 2.70 W / (m ² . K) |

UYGULAMA SEÇENEKLERİ / APPLICATION OPTIONS





$$U_{fA,B} = \frac{\frac{\Phi}{\Delta T} - U_p \cdot b_p}{b_f} = \frac{\frac{8,630}{20,000} - 1,095 \cdot 0,190}{0,110} = 2,04 \text{ W/(m}^2 \cdot \text{K)}$$



| Material | λ [W/(m·K)] | ε | Boundary Condition | q [W/m ²] | θ [°C] | R [(m ² ·K)/W] | ε |
|---|---------------------|---------------|--------------------------|-------------------------|---------------|-----------------------------|---------------|
| Aluminium (Si Alloys) | 160,000 | 0,900 | Epsilon 0.9 | | | | 0,900 |
| EPDM (ethylene propylene diene monomer) | 0,250 | 0,900 | Exterior, frame | 0,000 | 0,040 | | |
| Panel | 0,035 | 0,900 | Interior, frame, normal | 20,000 | 0,130 | | |
| Polyamid 6.6 with 25% glass fibre | 0,300 | 0,900 | Interior, frame, reduced | 20,000 | 0,200 | | |
| Slightly ventilated air cavity | anisotropic | | Symmetry/Model section | 0,000 | | | |
| Unventilated air cavity | anisotropic | | | | | | |

| PROFİL KESİTİ PROFILE SECTION | PROFİL KODU PROFILE CODE | PROFİL ADI PROFILE NAME | Jx cm ⁴ | Jy cm ⁴ | AĞIRLIK (kg/m) WEIGHT |
|----------------------------------|-----------------------------|-----------------------------------|-----------------------|-----------------------|--------------------------|
| | 64-1700-1701 | KASA PROFİLİ FRAME PROFILE | 25,80 cm ⁴ | 7,22 cm ⁴ | 1,423 kg/m |
| | 64-1702-1703 | KASA PROFİLİ FRAME PROFILE | 30,23 cm ⁴ | 7,98 cm ⁴ | 1,604 kg/m |
| | 64-1704-1705 | KASA PROFİLİ FRAME PROFILE | 31,55 cm ⁴ | 16,62 cm ⁴ | 1,663 kg/m |
| | 64-1706-1707 | KASA PROFİLİ FRAME PROFILE | 37,89 cm ⁴ | 18,61 cm ⁴ | 1,926 kg/m |
| | 64-1700-1768 | KASA PROFİLİ FRAME PROFILE | 21,42 cm ⁴ | 5,94 cm ⁴ | 1,341 kg/m |
| | 64-1702-1770 | KASA PROFİLİ FRAME PROFILE | 24,76 cm ⁴ | 6,37 cm ⁴ | 1,496 kg/m |
| | 64-1704-1769 | KASA PROFİLİ FRAME PROFILE | 26,55 cm ⁴ | 14,39 cm ⁴ | 1,580 kg/m |
| | 64-1706-1771 | KASA PROFİLİ FRAME PROFILE | 31,57 cm ⁴ | 15,80 cm ⁴ | 1,818 kg/m |
| | 64-1973-1972 | KASA PROFİLİ FRAME PROFILE | 26,06 cm ⁴ | 12,88 cm ⁴ | 1,543 kg/m |
| | 64-1937-1936 | KASA PROFİLİ FRAME PROFILE | 21,01 cm ⁴ | 5,42 cm ⁴ | 1,263 kg/m |
| | 64-1975-1974 | KASA PROFİLİ FRAME PROFILE | 23,81 cm ⁴ | 6,10 cm ⁴ | 1,413 kg/m |
| | 64-3549-3548 | KASA PROFİLİ FRAME PROFILE | 31,20 cm ⁴ | 17,29 cm ⁴ | 1,731 kg/m |
| | 64-5551-5550 | KASA PROFİLİ FRAME PROFILE | 22,04 cm ⁴ | 8,72 cm ⁴ | 1,310 kg/m |
| | 64-5551-5554 | KASA PROFİLİ FRAME PROFILE | 29,69 cm ⁴ | 11,05 cm ⁴ | 1,436 kg/m |
| | 64-5553-5552 | KASA PROFİLİ FRAME PROFILE | 27,41 cm ⁴ | 10,56 cm ⁴ | 1,539 kg/m |
| | 64-5553-5555 | KASA PROFİLİ FRAME PROFILE | 37,55 cm ⁴ | 13,84 cm ⁴ | 1,727 kg/m |
| | 64-12807-6500 | KASA PROFİLİ FRAME PROFILE | 48,21 cm ⁴ | 18,01 cm ⁴ | 1,450 kg/m |
| | 64-5130-5131 | KASA PROFİLİ FRAME PROFILE | 36,82 cm ⁴ | 28,90 cm ⁴ | 1,689 kg/m |
| | 64-1932-1933 | KASA PROFİLİ FRAME PROFILE | 53,97 cm ⁴ | 10,47 cm ⁴ | 1,548 kg/m |
| | 64-7110-7111 | Z KASA PROFİLİ Z FRAME PROFILE | 35,30 cm ⁴ | 23,15 cm ⁴ | 1,824 kg/m |
| | 64-5393-1705 | Z KASA PROFİLİ Z FRAME PROFILE | 38,28 cm ⁴ | 25,99 cm ⁴ | 1,811 kg/m |
| | 64-5393-1769 | Z KASA PROFİLİ Z FRAME PROFILE | 32,38 cm ⁴ | 23,43 cm ⁴ | 1,730 kg/m |

** Her profil için minimum sipariş 300 kg'dır.
 ** Minimum order quantity is 300 kg per profile.

| PROFİL KESİTİ PROFILE SECTION | PROFİL KODU PROFILE CODE | PROFİL ADI PROFILE NAME | Jx cm ⁴ | Jy cm ⁴ | AĞIRLIK (kg/m) WEIGHT |
|----------------------------------|-----------------------------|---|------------------------|-----------------------|--------------------------|
| | 64-5152-5153 | Z KASA PROFİLİ Z FRAME PROFILE | 30,89 cm ⁴ | 15,12 cm ⁴ | 1,634 kg/m |
| | 64-5159-5153 | Z KASA PROFİLİ Z FRAME PROFILE | 35,92 cm ⁴ | 27,92 cm ⁴ | 1,784 kg/m |
| | 64-2288-1707 | Z KASA PROFİLİ Z FRAME PROFILE | 51,22 cm ⁴ | 48,24 cm ⁴ | 2,235 kg/m |
| | 64-2228-1771 | Z KASA PROFİLİ Z FRAME PROFILE | 42,93 cm ⁴ | 44,39 cm ⁴ | 2,127 kg/m |
| | 64-2820-5551 | PERVAZLI KASA PROFİLİ SILL FRAME PROFILE | 30,39 cm ⁴ | 21,47 cm ⁴ | 1,554 kg/m |
| | 64-1700-1716 | ORTA KAYIT PROFİLİ MULLION PROFILE | 24,29 cm ⁴ | 9,55 cm ⁴ | 1,457 kg/m |
| | 64-3577-3576 | ORTA KAYIT PROFİLİ MULLION PROFILE | 21,97 cm ⁴ | 8,84 cm ⁴ | 1,356 kg/m |
| | 64-1702-1761 | ORTA KAYIT PROFİLİ MULLION PROFILE | 28,17 cm ⁴ | 10,35 cm ⁴ | 1,640 kg/m |
| | 64-3579-3578 | ORTA KAYIT PROFİLİ MULLION PROFILE | 27,07 cm ⁴ | 10,50 cm ⁴ | 1,588 kg/m |
| | 64-5565-5564 | ORTA KAYIT PROFİLİ MULLION PROFILE | 24,70 cm ⁴ | 13,89 cm ⁴ | 1,481 kg/m |
| | 64-6500-6501 | ORTA KAYIT PROFİLİ MULLION PROFILE | 29,86 cm ⁴ | 15,09 cm ⁴ | 1,714 kg/m |
| | 64-5567-5566 | ORTA KAYIT PROFİLİ MULLION PROFILE | 30,44 cm ⁴ | 16,38 cm ⁴ | 1,733 kg/m |
| | 64-1640-1641 | ORTA KAYIT PROFİLİ MULLION PROFILE | 31,75 cm ⁴ | 15,65 cm ⁴ | 1,805 kg/m |
| | 64-3638-3637 | ORTA KAYIT PROFİLİ MULLION PROFILE | 26,44 cm ⁴ | 18,08 cm ⁴ | 1,576 kg/m |
| | 64-3640-3639 | ORTA KAYIT PROFİLİ MULLION PROFILE | 32,77 cm ⁴ | 21,34 cm ⁴ | 1,852 kg/m |
| | 64-1704-1717 | ORTA KAYIT PROFİLİ MULLION PROFILE | 29,44 cm ⁴ | 20,01 cm ⁴ | 1,695 kg/m |
| | 64-1706-1718 | ORTA KAYIT PROFİLİ MULLION PROFILE | 35,03 cm ⁴ | 22,09 cm ⁴ | 1,958 kg/m |
| | 64-4301-4300 | ORTA KAYIT PROFİLİ MULLION PROFILE | 50,36 cm ⁴ | 37,66 cm ⁴ | 2,111 kg/m |
| | 64-1650-1651 | ORTA KAYIT PROFİLİ MULLION PROFILE | 33,68 cm ⁴ | 33,08 cm ⁴ | 1,865 kg/m |
| | 64-5521-5522 | ORTA KAYIT PROFİLİ MULLION PROFILE | 43,31 cm ⁴ | 45,92 cm ⁴ | 2,342 kg/m |
| | 64-1719-1720 | ORTA KAYIT PROFİLİ MULLION PROFILE | 104,75 cm ⁴ | 55,58 cm ⁴ | 2,893 kg/m |
| | 64-9789-9788 | ORTA KAYIT PROFİLİ MULLION PROFILE | 480,99 cm ⁴ | 86,07 cm ⁴ | 4,456 kg/m |

** Her profil için minimum sipariş 300 kg'dır.
 ** Minimum order quantity is 300 kg per profile.

| PROFİL KESİTİ PROFILE SECTION | PROFİL KODU PROFILE CODE | PROFİL ADI PROFILE NAME | Jx cm ⁴ | Jy cm ⁴ | AĞIRLIK (kg/m) WEIGHT |
|----------------------------------|-----------------------------|---|------------------------|-----------------------|--------------------------|
| | 64-3640-3542 | TAKVİYELİ ORTA KAYIT PROFİLİ REINFORCED MULLION PROFILE | 119,69 cm ⁴ | 29,17 cm ⁴ | 2,446 kg/m |
| | 64-1718-8007 | TAKVİYELİ ORTA KAYIT PROFİLİ REINFORCED MULLION PROFILE | 233,34 cm ⁴ | 36,11 cm ⁴ | 2,786 kg/m |
| | 64-3550-3551 | KANAT PROFİLİ SASH PROFILE | 26,69 cm ⁴ | 7,00 cm ⁴ | 1,290 kg/m |
| | 64-1708-1709 | KANAT PROFİLİ SASH PROFILE | 29,91 cm ⁴ | 8,00 cm ⁴ | 1,422 kg/m |
| | 64-3558-3559 | KANAT PROFİLİ SASH PROFILE | 29,46 cm ⁴ | 7,51 cm ⁴ | 1,375 kg/m |
| | 64-6502-6503 | KANAT PROFİLİ SASH PROFILE | 33,64 cm ⁴ | 8,47 cm ⁴ | 1,572 kg/m |
| | 64-1710-1711 | KANAT PROFİLİ SASH PROFILE | 36,05 cm ⁴ | 8,77 cm ⁴ | 1,646 kg/m |
| | 64-3560-3561 | KANAT PROFİLİ SASH PROFILE | 34,09 cm ⁴ | 8,46 cm ⁴ | 1,550 kg/m |
| | 64-1642-1643 | KANAT PROFİLİ SASH PROFILE | 35,05 cm ⁴ | 12,74 cm ⁴ | 1,613 kg/m |
| | 64-6504-6505 | KANAT PROFİLİ SASH PROFILE | 37,20 cm ⁴ | 12,90 cm ⁴ | 1,700 kg/m |
| | 64-3562-3563 | KANAT PROFİLİ SASH PROFILE | 33,23 cm ⁴ | 12,11 cm ⁴ | 1,514 kg/m |
| | 64-5556-5557 | KANAT PROFİLİ SASH PROFILE | 30,29 cm ⁴ | 11,27 cm ⁴ | 1,423 kg/m |
| | 64-3944-3945 | KANAT PROFİLİ SASH PROFILE | 40,73 cm ⁴ | 13,68 cm ⁴ | 1,823 kg/m |
| | 64-5558-5559 | KANAT PROFİLİ SASH PROFILE | 38,90 cm ⁴ | 13,76 cm ⁴ | 1,723 kg/m |
| | 64-3566-3567 | KANAT PROFİLİ SASH PROFILE | 41,78 cm ⁴ | 18,25 cm ⁴ | 1,830 kg/m |
| | 64-3564-3565 | KANAT PROFİLİ SASH PROFILE | 35,65 cm ⁴ | 16,02 cm ⁴ | 1,608 kg/m |
| | 64-1714-1715 | KANAT PROFİLİ SASH PROFILE | 44,50 cm ⁴ | 19,70 cm ⁴ | 1,961 kg/m |
| | 64-1712-1713 | KANAT PROFİLİ SASH PROFILE | 36,49 cm ⁴ | 17,56 cm ⁴ | 1,666 kg/m |
| | 64-4303-4304 | KANAT PROFİLİ SASH PROFILE | 48,33 cm ⁴ | 51,09 cm ⁴ | 2,143 kg/m |
| | 64-3568-3569 | KANAT PROFİLİ SASH PROFILE | 49,02 cm ⁴ | 51,97 cm ⁴ | 2,158 kg/m |
| | 64-1724-1725 | KANAT PROFİLİ SASH PROFILE | 60,89 cm ⁴ | 61,37 cm ⁴ | 2,578 kg/m |
| | 64-3570-3571 | KANAT PROFİLİ SASH PROFILE | 57,06 cm ⁴ | 59,55 cm ⁴ | 2,420 kg/m |

** Her profil için minimum sipariş 300 kg'dır.
 ** Minimum order quantity is 300 kg per profile.

| PROFİL KESİTİ PROFILE SECTION | PROFİL KODU PROFILE CODE | PROFİL ADI PROFILE NAME | Jx cm ⁴ | Jy cm ⁴ | AĞIRLIK (kg/m) WEIGHT |
|----------------------------------|-----------------------------|--|-----------------------|-----------------------|--------------------------|
| | 64-1950-1951 | DIŞA AÇILIR KANAT PROFİLİ OUTWARD OPENING SASH PROFILE | 61,49 cm ⁴ | 69,53 cm ⁴ | 2,626 kg/m |
| | 64-3574-3575 | DIŞA AÇILIR KANAT PROFİLİ OUTWARD OPENING SASH PROFILE | 57,10 cm ⁴ | 64,57 cm ⁴ | 2,469 kg/m |
| | 64-4359-4360 | DIŞA AÇILIR KANAT PROFİLİ OUTWARD OPENING SASH PROFILE | 47,74 cm ⁴ | 55,17 cm ⁴ | 2,205 kg/m |
| | 64-8442-8443 | PVC KANALLI KANAT PROFİLİ PVC GROOVED SASH PROFILE | 76,31 cm ⁴ | 38,42 cm ⁴ | 2,232 kg/m |
| | 64-5571-5572 | PVC KANALLI KANAT PROFİLİ PVC GROOVED SASH PROFILE | 31,59 cm ⁴ | 11,41 cm ⁴ | 1,493 kg/m |
| | 64-5150-5151 | PVC KANALLI KANAT PROFİLİ PVC GROOVED SASH PROFILE | 37,65 cm ⁴ | 16,91 cm ⁴ | 1,704 kg/m |
| | 64-5160-5161 | PVC KANALLI KANAT PROFİLİ PVC GROOVED SASH PROFILE | 47,40 cm ⁴ | 20,29 cm ⁴ | 2,090 kg/m |
| | 64-5588-5589 | PVC KANALLI KANAT PROFİLİ PVC GROOVED SASH PROFILE | 40,51 cm ⁴ | 13,78 cm ⁴ | 1,803 kg/m |
| | 64-5573-5569 | PVC KANALLI KANAT PROFİLİ PVC GROOVED SASH PROFILE | 31,77 cm ⁴ | 13,01 cm ⁴ | 1,513 kg/m |
| | 64-12097-12098 | PVC KANALLI KANAT PROFİLİ PVC GROOVED SASH PROFILE | 63,02 cm ⁴ | 25,06 cm ⁴ | 1,948 kg/m |
| | 64-5525-5526 | PVC KANALLI KANAT PROFİLİ PVC GROOVED SASH PROFILE | 50,95 cm ⁴ | 34,80 cm ⁴ | 2,201 kg/m |
| | 64-5568-5569 | PVC KANALLI KANAT PROFİLİ PVC GROOVED SASH PROFILE | 58,66 cm ⁴ | 25,93 cm ⁴ | 1,710 kg/m |
| | 64-5570-5569 | PVC KANALLI KANAT PROFİLİ PVC GROOVED SASH PROFILE | 58,43 cm ⁴ | 25,61 cm ⁴ | 1,706 kg/m |
| | 64-5576-5577 | PVC KANALLI KANAT PROFİLİ PVC GROOVED SASH PROFILE | 46,53 cm ⁴ | 45,21 cm ⁴ | 2,131 kg/m |
| | 64-5162-5163 | PVC KANALLI KANAT PROFİLİ PVC GROOVED SASH PROFILE | 58,50 cm ⁴ | 54,22 cm ⁴ | 2,568 kg/m |
| | 64-5574-5575 | PVC KANALLI KANAT PROFİLİ PVC GROOVED SASH PROFILE | 47,73 cm ⁴ | 45,03 cm ⁴ | 2,118 kg/m |
| | 64-5585-5586 | PVC KANALLI KANAT PROFİLİ PVC GROOVED SASH PROFILE | 42,72 cm ⁴ | 41,59 cm ⁴ | 2,095 kg/m |
| | 64-5154-5155 | ETEK PROFİLİ BOTTOM PROFILE | - | - | 2,440 kg/m |
| | 64-4300-4302 | ETEK PROFİLİ BOTTOM PROFILE | - | - | 2,217 kg/m |
| | 64-5523-5524 | ETEK PROFİLİ BOTTOM PROFILE | - | - | 4,022 kg/m |
| | 64-1720-1721 | ETEK PROFİLİ BOTTOM PROFILE | - | - | 3,031 kg/m |
| | 64-1953-5547 | KÖŞE DÖNÜŞ PROFİLİ CORNER PROFILE | 35,14 cm ⁴ | 35,14 cm ⁴ | 1,649 kg/m |













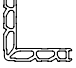


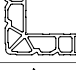






** Her profil için minimum sipariş 300 kg'dır.
 ** Minimum order quantity is 300 kg per profile.

| PROFİL KESİTİ PROFILE SECTION | | PROFİL KODU PROFILE CODE | PROFİL ADI PROFILE NAME | Jx cm ⁴ | Jy cm ⁴ | AĞIRLIK (kg/m) WEIGHT |
|--|---------------|--|---|-----------------------|-----------------------|--------------------------|
| PROFİLLER BİRBİRLERİYLE ÇALIŞMAKTADIR THIS PROFILES WORK TOGETHER | | 64-1739-1740 | HEMYÜZ DIŞA AÇILIR KASA PROFİLİ SYMMETRICAL OUTWARD OPENING FRAME PROFILE | 35,32 cm ⁴ | 16,10 cm ⁴ | 1,742 kg/m |
| | | 64-1737-1738 | HEMYÜZ DIŞA AÇILIR KASA PROFİLİ SYMMETRICAL OUTWARD OPENING FRAME PROFILE | 34,63 cm ⁴ | 16,50 cm ⁴ | 1,731 kg/m |
| | | 64-1741-1742 | HEMYÜZ İÇE AÇILIR KAPI KANAT PROFİLİ SYMMETRICAL INWARD OPENING SASH PROFILE | 53,99 cm ⁴ | 68,21 cm ⁴ | 2,425 kg/m |
| | | 64-1743-1744 | HEMYÜZ DIŞA AÇILIR KAPI KANAT PROFİLİ SYMMETRICAL OUTWARD OPENING SASH PROFILE | 51,88 cm ⁴ | 68,15 cm ⁴ | 2,421 kg/m |
| | | 64-1730-1731 | HEMYÜZ İÇE AÇILIR ADAPTÖR PROFİLİ SYMMETRICAL INWARD OPENING ADAPTER PROFILE | 17,40 cm ⁴ | 3,27 cm ⁴ | 1,096 kg/m |
| | | 64-1732-1733 | HEMYÜZ DIŞA AÇILIR ADAPTÖR PROFİLİ SYMMETRICAL OUTWARD OPENING ADAPTER PROFILE | 17,49 cm ⁴ | 2,92 cm ⁴ | 1,097 kg/m |
| | 64-1728-1729 | PİVOT ADAPTÖR PROFİLİ PIVOT ADAPTER PROFILE | - | - | 1,407 kg/m | |
| | 64-11923-1727 | EURO KANALLI ADAPTÖR PROFİLİ EURO GROOVED ADAPTER PROFILE | - | - | 1,326 kg/m | |
| | 64-11924-5579 | PVC KANALLI ADAPTÖR PROFİLİ PVC GROOVED ADAPTÖR PROFILE | - | - | 1,230 kg/m | |
| | 64-1762-1763 | DIŞA AÇILIR ADAPTÖR PROFİLİ OUTWARD OPENING ADAPTER PROFILE | - | - | 1,190 kg/m | |
| | 4358 | DAMLALIK PROFİLİ SILL PROFILE | - | - | 0,316 kg/m | |
| | 1011 | DAMLALIK PROFİLİ SILL PROFILE | - | - | 0,402 kg/m | |
| | 4242 | DAMLALIK PROFİLİ SILL PROFILE | - | - | 0,094 kg/m | |
| | 7021 | DAMLALIK PROFİLİ SILL PROFILE | - | - | 0,140 kg/m | |
| | 12375 | DAMLALIK PROFİLİ SILL PROFILE | - | - | 0,326 kg/m | |
| | 1681 | PERVAZ PROFİLİ SILL PROFILE | - | - | 0,340 kg/m | |
| | 1911 | ADAPTÖR PROFİLİ ADAPTER PROFILE | - | - | 0,425 kg/m | |
| | 1912 | ADAPTÖR PROFİLİ ADAPTER PROFILE | - | - | 0,211 kg/m | |
| | 10923 | KANAT ALTI KAPAMA PROFİLİ SUB-SASH COVER PROFILE | - | - | 0,295 kg/m | |
| | 8241 | TİJ PROFİLİ STEM BAR PROFILE | - | - | 0,099 kg/m | |
| | 64-1734-3543 | KÖŞE DÖNÜŞ PROFİLİ CORNER PROFILE | 22,52 cm ⁴ | 18,88 cm ⁴ | 1,405 kg/m | |
| | 64-4356-4357 | KAPI ALTI EŞİK PROFİLİ DOOR THRESHOLD PROFILE | - | - | 1,000 kg/m | |

** Her profil için minimum sipariş 300 kg'dır.
 ** Minimum order quantity is 300 kg per profile.

| PROFİL KESİTİ PROFILE SECTION | PROFİL KODU PROFILE CODE | PROFİL ADI PROFILE NAME | Jx cm ⁴ | Jy cm ⁴ | AĞIRLIK (kg/m) WEIGHT |
|----------------------------------|-----------------------------|--|--------------------|--------------------|--------------------------|
| | 10012 | PERVAZ PROFİLİ SILL PROFILE | - | - | 0,805 kg/m |
| | 553 | PERVAZ PROFİLİ SILL PROFILE | - | - | 0,656 kg/m |
| | 3537 | CAM ÇİTASI (41,5 mm) GLAZING BEAD (41,5 mm) | - | - | 0,367 kg/m |
| | 1749 | CAM ÇİTASI (38,5 mm) GLAZING BEAD (38,5 mm) | - | - | 0,356 kg/m |
| | 1750 | CAM ÇİTASI (38,5 mm) GLAZING BEAD (38,5 mm) | - | - | 0,342 kg/m |
| | 1748 | CAM ÇİTASI (34,5 mm) GLAZING BEAD (34,5 mm) | - | - | 0,327 kg/m |
| | 1747 | CAM ÇİTASI (34,5 mm) GLAZING BEAD (34,5 mm) | - | - | 0,340 kg/m |
| | 3536 | CAM ÇİTASI (31,5 mm) GLAZING BEAD (31,5 mm) | - | - | 0,329 kg/m |
| | 3636 | CAM ÇİTASI (29,5 mm) GLAZING BEAD (29,5 mm) | - | - | 0,321 kg/m |
| | 1966 | CAM ÇİTASI (27,5 mm) GLAZING BEAD (27,5 mm) | - | - | 0,314 kg/m |
| | 2236 | CAM ÇİTASI (26,5 mm) GLAZING BEAD (26,5 mm) | - | - | 0,310 kg/m |
| | 1949 | CAM ÇİTASI (25,5 mm) GLAZING BEAD (25,5 mm) | - | - | 0,306 kg/m |
| | 5527 | CAM ÇİTASI (25,5 mm) GLAZING BEAD (25,5 mm) | - | - | 0,293 kg/m |
| | 1745 | CAM ÇİTASI (21,5 mm) GLAZING BEAD (21,5 mm) | - | - | 0,292 kg/m |
| | 1746 | CAM ÇİTASI (21,5 mm) GLAZING BEAD (21,5 mm) | - | - | 0,279 kg/m |
| | 5546 | CAM ÇİTASI (19,5 mm) GLAZING BEAD (19,5 mm) | - | - | 0,271 kg/m |
| | 3539 | CAM ÇİTASI (17 mm) GLAZING BEAD (17 mm) | - | - | 0,277 kg/m |
| | 1699 | CAM ÇİTASI (19,5 mm) GLAZING BEAD (19,5 mm) | - | - | 0,285 kg/m |
| | 1698 | CAM ÇİTASI (13,5 mm) GLAZING BEAD (13,5 mm) | - | - | 0,270 kg/m |
| | 1948 | CAM ÇİTASI (7,5 mm) GLAZING BEAD (7,5 mm) | - | - | 0,235 kg/m |
| | 1736 | KÖŞE DÖNÜŞ ÇİTASI CORNER BEAD | - | - | 0,210 kg/m |
| | 1773 | ORTA KAYIT BAĞLANTI PROFİLİ MULLION CONNECTION PROFILE | - | - | 0,985 kg/m |

** Her profil için minimum sipariş 300 kg'dır.
 ** Minimum order quantity is 300 kg per profile.





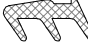



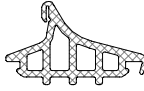

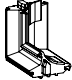
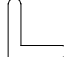



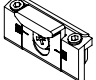
| PROFİL KESİTİ PROFILE SECTION | PROFİL KODU PROFILE CODE | PROFİL ADI PROFILE NAME | Jx cm ⁴ | Jy cm ⁴ | AĞIRLIK (kg/m) WEIGHT |
|---|-----------------------------|---|--------------------|--------------------|--------------------------|
|  | 1774 | ORTA KAYIT BAĞLANTI PROFİLİ MULLION CONNECTION PROFILE | - | - | 0,365 kg/m |
|  | 1121 | T BAĞLANTI PROFİLİ T CONNECTION PROFILE | - | - | 0,233 kg/m |
|  | 1123 | T BAĞLANTI PROFİLİ T CONNECTION PROFILE | - | - | 0,355 kg/m |
|  | 1035 | T BAĞLANTI PROFİLİ T CONNECTION PROFILE | - | - | 0,240 kg/m |
|  | 1139 | T BAĞLANTI PROFİLİ T CONNECTION PROFILE | - | - | 0,236 kg/m |
|  | 6414 | T BAĞLANTI PROFİLİ T CONNECTION PROFILE | - | - | 0,175 kg/m |
|  | 3917 | T BAĞLANTI PROFİLİ T CONNECTION PROFILE | - | - | 0,162 kg/m |
|  | 3832 | T BAĞLANTI PROFİLİ T CONNECTION PROFILE | - | - | 0,175 kg/m |
|  | 3818 | T BAĞLANTI PROFİLİ T CONNECTION PROFILE | - | - | 0,210 kg/m |
|  | 7039 | T BAĞLANTI PROFİLİ T CONNECTION PROFILE | - | - | 0,260 kg/m |
|  | 5788 | T BAĞLANTI PROFİLİ T CONNECTION PROFILE | - | - | 0,205 kg/m |
|  | 1661 | KÖŞE TAKOZ PROFİLİ CORNER WEDGE PROFILE | - | - | 3,629 kg/m |
|  | 1662 | KÖŞE TAKOZ PROFİLİ CORNER WEDGE PROFILE | - | - | 2,576 kg/m |
|  | 1663 | KÖŞE TAKOZ PROFİLİ CORNER WEDGE PROFILE | - | - | 3,526 kg/m |
|  | 1695 | KÖŞE TAKOZ PROFİLİ CORNER WEDGE PROFILE | - | - | 2,540 kg/m |
|  | 3546 | KÖŞE TAKOZ PROFİLİ CORNER WEDGE PROFILE | - | - | 3,357 kg/m |
|  | 3698 | KÖŞE TAKOZ PROFİLİ CORNER WEDGE PROFILE | - | - | 4,604 kg/m |
|  | 7022 | KÖŞE TAKOZ PROFİLİ CORNER WEDGE PROFILE | - | - | 3,952 kg/m |
|  | 3547 | KÖŞE TAKOZ PROFİLİ CORNER WEDGE PROFILE | - | - | 4,884 kg/m |
|  | 1398 | KÖŞE TAKOZ PROFİLİ CORNER WEDGE PROFILE | - | - | 5,089 kg/m |
|  | 1760 | KÖŞE TAKOZ PROFİLİ CORNER WEDGE PROFILE | - | - | 8,436 kg/m |
|  | 1664 | KÖŞE TAKOZ PROFİLİ CORNER WEDGE PROFILE | - | - | 3,991 kg/m |

** Her profil için minimum sipariş 300 kg'dır.
 ** Minimum order quantity is 300 kg per profile.

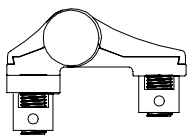


| PROFİL KESİTİ PROFILE SECTION | PROFİL KODU PROFILE CODE | PROFİL ADI PROFILE NAME | Jx cm ⁴ | Jy cm ⁴ | AĞIRLIK (kg/m) WEIGHT |
|----------------------------------|-----------------------------|--|--------------------|--------------------|--------------------------|
| | 1696 | KÖŞE TAKOZ PROFİLİ CORNER WEDGE PROFILE | - | - | 3,340 kg/m |
| | 7040 | KÖŞE TAKOZ PROFİLİ CORNER WEDGE PROFILE | - | - | 3,998 kg/m |
| | 597 | KÖŞE TAKOZ PROFİLİ CORNER WEDGE PROFILE | - | - | 4,241 kg/m |
| | | | | | |
| | | | | | |
| | | | | | |
| | | | | | |
| | | | | | |
| | | | | | |
| | | | | | |
| | | | | | |
| | | | | | |
| | | | | | |
| | | | | | |
| | | | | | |
| | | | | | |
| | | | | | |
| | | | | | |
| | | | | | |
| | | | | | |
| | | | | | |
| | | | | | |
| | | | | | |
| | | | | | |

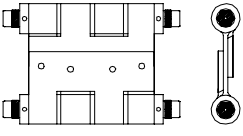
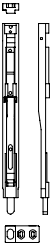
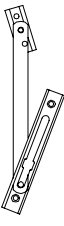
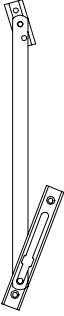
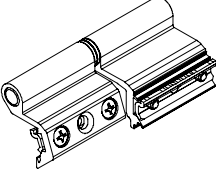
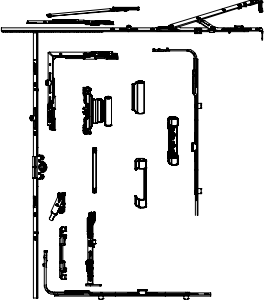
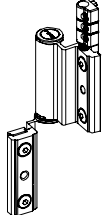
** Her profil için minimum sipariş 300 kg'dır.
** Minimum order quantity is 300 kg per profile.

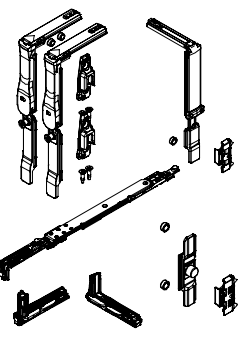
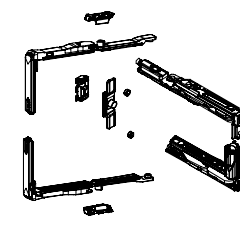
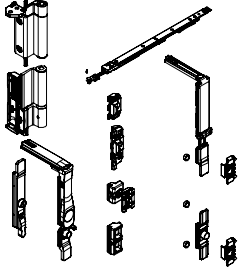
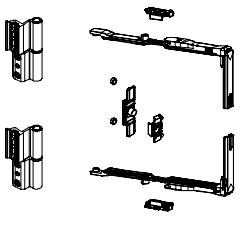
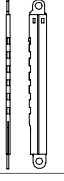
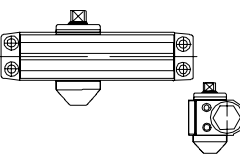

| AKSESUAR ACCESSORY | STOK KODU REFERENCE CODE | AKSESUAR ADI DESCRIPTION | AKSESUAR KODU PRODUCT CODE | PAKET PACK |
|---|-----------------------------|--|-------------------------------|----------------------------|
|  | AKS1275 | KASA FİTİLİ FRAME GASKET | WD64T-KBF.36 | 300 mt / paket 10 kg |
|  | AKS1285 | KASA FİTİLİ FRAME GASKET | WD64T-KBF.46 | 275 mt / paket 10 kg |
|  | AKS1287 | KANAT FİTİLİ SASH GASKET | WD64T-KBF.56 | 235 mt / paket 10 kg |
|  | AKS1254 | DIŞ CAM FİTİLİ OUTER GLAZING GASKET | WD64T-DCF.30 | 215 mt / paket 10 kg |
|  | AKS1256 | DIŞ CAM FİTİLİ OUTER GLAZING GASKET | WD64T-DCF.45 | 130 mt / paket 10 kg |
|  | AKS1338 | İÇ CAM FİTİLİ INNER GLAZING GASKET | WD64T-İCF.30 | 330 mt / paket 10 kg |
|  | AKS1339 | İÇ CAM FİTİLİ INNER GLAZING GASKET | WD64T-İCF.40 | 205 mt / paket 10 kg |
|  | AKS1341 | İÇ CAM FİTİLİ INNER GLAZING GASKET | WD64T-İCF.50 | 175 mt / paket 10 kg |
|  | AKS1337 | İÇ CAM FİTİLİ INNER GLAZING GASKET | WD64T-İCF.23 | 210 mt / paket 10 kg |
|  | AKS1340 | İÇ CAM FİTİLİ INNER GLAZING GASKET | WD64T-İCF.45 | 225 mt / paket 10 kg |
|  | AKS1328 | ORTA BİNİ FİTİLİ MIDDLE GASKET | WD64T-OBF.64 | 40 mt / paket 10 kg |
|  | AKS1318 | ETEK BİNİ FİTİLİ BOTTOM PROFILE GASKET | WD64T-ETF.10 | 125 mt / paket 10 kg/mt |
|  | AKS824 | ALÜMİNYUM KAPI ALTI FIRÇASI ALUMINIUM DOORBASE BRUSH | WD64T-KF.200 | 100 ad / 1 pk |
|  | AKS1478 | VUKANİZE KÖŞE BAĞLANTI VULCANIZED CORNER CONNECTION | WD64T-KVF.64 | 20 ad / 1 pk |
|  | AKS789 | KÖŞE GÖNYE CORNER BRACKET | WD64T-KG.318 | 1000 ad / 1 pk |
|  | AKS785 | KÖŞE ÇAVUŞU CORNER CONNECTION | WD64T-FJ.314 | 250 ad / 1 pk |
|  | AKS714 | SİSTEM WD64T ADAPTÖR KAPAĞI SYSTEM WD64T ADAPTER COVER | WD64T-ADK.255 | 100 ad / 1 pk |
|  | AKS715 | SİSTEM WD64T PVC KANALLI ADAPTÖR KAPAĞI SYSTEM WD64T PVC GROOVED ADAPTER COVER | WD64T-ADK.256 | 100 ad / 1 pk |
|  | AKS743 | AYARLI İSPANYOLET KARŞILIĞI (SETSKURLU) ADJUSTABLE ESPAGNOLETTE STRIKER (PINNED) | WD64T-TPK.201 | 100 ad / 1 pk |
|  | AKS739 | İSPANYOLET PİMİ (EURO KANAL) ESPAGNOLETTE PIN (EURO GROOVED) | WD64T-TP.100 | 100 ad / 1 pk |

| AKSESUAR ACCESSORY | STOK KODU REFERENCE CODE | AKSESUAR ADI DESCRIPTION | AKSESUAR KODU PRODUCT CODE | PAKET PACK |
|-----------------------|-----------------------------|---|-------------------------------|----------------|
| | AKS737 | DAMLALIK KAPAK SILL COVER | WD64T-DK.50 | 1 tk / 1 pk |
| | AKS1912 | CAM TAKOZU (3X20X80 mm) GLAZING WEDGE (3X20X80 mm) | WD64T-CT.203 | 1000 ad / 1 pk |
| | AKS1915 | CAM TAKOZU (5X20X80 mm) GLAZING WEDGE (5X20X80 mm) | WD64T-CT.208 | 1000 ad / 1 pk |
| | AKS1916 | CAM TAKOZU (5X28X80 mm) GLAZING WEDGE (5X28X80 mm) | WD64T-CT.210 | 1000 ad / 1 pk |
| | AKS1667 | 153/35 mm DİLLİ KİLİT BOLT LOCK | WD64T-DK.401 | 30 ad / 1 pk |
| | AKS1671 | 155/35 mm MAKARALI KİLİT ROLLED LOCK | WD64T-MK.405 | 30 ad / 1 pk |
| | AKS1721 | 96 mm BAREL 96 mm CYLINDER | WD64T-BR.106 | 24 ad / 1 pk |
| | AKS4742 | OVAL SERİ KİLİT KARŞILIĞI (GALVANİZ) OVAL SERIES LOCK STRIKER (GALVANIZE) | WD64T-KK.210 | 50 ad / 1 pk |
| | AKS421 | OVAL SERİ KİLİT KARŞILIĞI (MAKARALI) OVAL SERIES LOCK STRIKER (ROLLED) | WD64T-KK.211 | 50 ad / 1 pk |
| | AKS423 | SİSTEM KİLİT KARŞILIĞI DİLLİ (ELOKSALLI) SYSTEM BOLT LOCK STRIKER (ANODIZED) | WD64T-DK.301 | 50 ad / 1 pk |
| | AKS424 | SİSTEM KİLİT KARŞILIĞI DİLLİ (BEYAZ) SYSTEM BOLT LOCK STRIKER (WHITE) | WD64T-DK.302 | 50 ad / 1 pk |
| | AKS425 | SİSTEM KİLİT KARŞILIĞI DİLLİ (RENKLİ) SYSTEM BOLT LOCK STRIKER (COLORED) | WD64T-DK.303 | 50 ad / 1 pk |
| | AKS427 | SİSTEM KİLİT KARŞILIĞI MAKARALI (ELOKSALLI) SYSTEM ROLLED LOCK STRIKER (ANODIZED) | WD64T-MK.310 | 50 ad / 1 pk |
| | AKS428 | SİSTEM KİLİT KARŞILIĞI MAKARALI (BEYAZ) SYSTEM ROLLED LOCK STRIKER (WHITE) | WD64T-MK.311 | 50 ad / 1 pk |
| | AKS429 | SİSTEM KİLİT KARŞILIĞI DİLLİ (RENKLİ) SYSTEM ROLLED LOCK STRIKER (COLORED) | WD64T-MK.312 | 50 ad / 1 pk |
| | AKS1557 | SABİT PERDELİ YAĞMUR TAHLİYE KAPAK WATER DRAIN COVER (FIXED) | WD64T-TK.115 | 1000 ad / 1 pk |
| | AKS1556 | HAREKETLİ PERDELİ YAĞMUR TAHLİYE KAPAK WATER DRAIN COVER (MOVEABLE) | WD64T-TK.112 | 1000 ad / 1 pk |

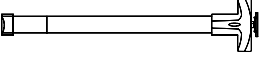
| AKSESUAR ACCESSORY | STOK KODU REFERENCE CODE | AKSESUAR ADI DESCRIPTION | AKSESUAR KODU PRODUCT CODE | PAKET PACK |
|---|-----------------------------|---|-------------------------------|---------------|
|  | AKS43 | WD64T PİVOT MENTEŞE (ELOKSAL) WD64T PIVOT HINGE (ANODIZED) | WD64T-PM.1005 | 1 ad / 1 pk |
| | AKS44 | WD64T PİVOT MENTEŞE (BEYAZ) WD64T PIVOT HINGE (WHITE) | WD64T-PM.1006 | 1 ad / 1 pk |
| | AKS45 | WD64T PİVOT MENTEŞE (RENKLİ) WD64T PIVOT HINGE (COLORED) | WD64T-PM.1007 | 1 ad / 1 pk |
|  | AKS30 | SİSTEM PENCERE MENTEŞE (ELOKSALLI) SYSTEM WINDOW HINGE (ANODIZED) | WD64T-PM.901 | 10 ad / 1 pk |
| | AKS31 | SİSTEM PENCERE MENTEŞE (BEYAZ) SYSTEM WINDOW HINGE (WHITE) | WD64T-PM.902 | 10 ad / 1 pk |
| | AKS32 | SİSTEM PENCERE MENTEŞE (RENKLİ) SYSTEM WINDOW HINGE (COLORED) | WD64T-PM.903 | 10 ad / 1 pk |
|  | AKS59 | SİSTEM PENCERE VE KAPI MENTEŞE (ELOKSALLI) SYSTEM WINDOW AND DOOR HINGE (ANODIZED) | WD64T-PKM.101 | 10 ad / 1 pk |
| | AKS60 | SİSTEM PENCERE VE KAPI MENTEŞE (BEYAZ) SYSTEM WINDOW AND DOOR HINGE (WHITE) | WD64T-PKM.102 | 10 ad / 1 pk |
| | AKS61 | SİSTEM PENCERE VE KAPI MENTEŞE (RENKLİ) SYSTEM WINDOW AND DOOR HINGE (COLORED) | WD64T-PKM.103 | 10 ad / 1 pk |
|  | AKS64 | SİSTEM KAPI MENTEŞE (ELOKSALLI) SYSTEM DOOR HINGE (ANODIZED) | WD64T-KM.111 | 10 ad / 1 pk |
| | AKS65 | SİSTEM KAPI MENTEŞE (BEYAZ) SYSTEM DOOR HINGE (WHITE) | WD64T-KM.112 | 10 ad / 1 pk |
| | AKS66 | SİSTEM KAPI MENTEŞE (RENKLİ) SYSTEM DOOR HINGE (COLORED) | WD64T-KM.113 | 10 ad / 1 pk |
|  | AKS47 | İÇE VE DIŞA AÇILIR BİNİLİ KAPI MENTEŞE (ELOKSALLI) INWARD AND OUTWARD OPENING HINGE (ANODIZED) | WD64T-KM.050 | 1 ad / 1 pk |
| | AKS48 | İÇE VE DIŞA AÇILIR BİNİLİ KAPI MENTEŞE (BEYAZ) INWARD AND OUTWARD OPENING HINGE (WHITE) | WD64T-KM.051 | 1 ad / 1 pk |
| | AKS49 | İÇE VE DIŞA AÇILIR BİNİLİ KAPI MENTEŞE (RENKLİ) INWARD AND OUTWARD OPENING HINGE (COLORED) | WD64T-KM.052 | 1 ad / 1 pk |
|  | AKS50 | HEMYÜZ İÇE AÇILIR KAPI MENTEŞE (ELOKSALLI) SYMMETRICAL INWARD OPENING HINGE (ANODIZED) | WD64T-KM.055 | 1 ad / 1 pk |
| | AKS51 | HEMYÜZ İÇE AÇILIR KAPI MENTEŞE (BEYAZ) SYMMETRICAL INWARD OPENING HINGE (WHITE) | WD64T-KM.056 | 1 ad / 1 pk |
| | AKS52 | HEMYÜZ İÇE AÇILIR KAPI MENTEŞE (RENKLİ) SYMMETRICAL INWARD OPENING HINGE (COLORED) | WD64T-KM.057 | 1 ad / 1 pk |
|  | AKS53 | HEMYÜZ DIŞA AÇILIR KAPI MENTEŞE (ELOKSALLI) SYMMETRICAL OUTWARD OPENING HINGE (ANODIZED) | WD64T-KM.060 | 1 ad / 1 pk |
| | AKS54 | HEMYÜZ DIŞA AÇILIR KAPI MENTEŞE (BEYAZ) SYMMETRICAL OUTWARD OPENING HINGE (WHITE) | WD64T-KM.061 | 1 ad / 1 pk |
| | AKS55 | HEMYÜZ DIŞA AÇILIR KAPI MENTEŞE (RENKLİ) SYMMETRICAL OUTWARD OPENING HINGE (COLORED) | WD64T-KM.062 | 1 ad / 1 pk |

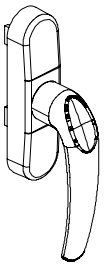
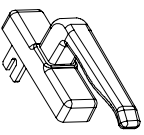
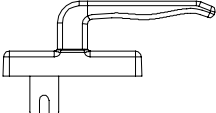
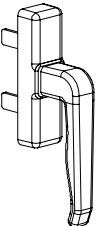
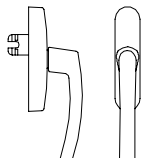
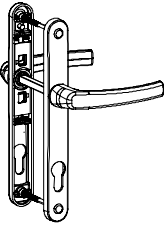
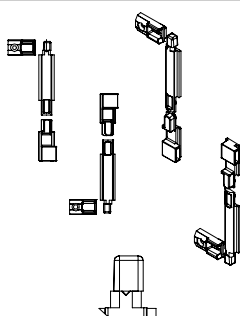
| AKSESUAR ACCESSORY | STOK KODU REFERENCE CODE | AKSESUAR ADI DESCRIPTION | AKSESUAR KODU PRODUCT CODE | PAKET PACK |
|-----------------------|-----------------------------|---|-------------------------------|---------------|
| | AKS56 | DIŞA AÇILIR ADAPTÖRLÜ BİNİLİ KAPI MENTEŞE (ELOKSALLI) OUTWARD OPENING OVERLAPPING HINGE (ANODIZED) | WD64T-KM.065 | 1 ad / 1 pk |
| | AKS57 | DIŞA AÇILIR ADAPTÖRLÜ BİNİLİ KAPI MENTEŞE (BEYAZ) OUTWARD OPENING OVERLAPPING HINGE (WHITE) | WD64T-KM.066 | 1 ad / 1 pk |
| | AKS58 | DIŞA AÇILIR ADAPTÖRLÜ BİNİLİ KAPI MENTEŞE (RENKLİ) OUTWARD OPENING OVERLAPPING HINGE (COLORED) | WD64T-KM.067 | 1 ad / 1 pk |
| | AKS84 | İÇE VE DIŞA AÇILIR BİNİLİ KAPI MENTEŞE (ELOKSALLI) INWARD AND OUTWARD OPENING HINGE (ANODIZED) | WD64T-KM.820 | 1 ad / 1 pk |
| | AKS85 | İÇE VE DIŞA AÇILIR BİNİLİ KAPI MENTEŞE (BEYAZ) INWARD AND OUTWARD OPENING HINGE (WHITE) | WD64T-KM.821 | 1 ad / 1 pk |
| | AKS86 | İÇE VE DIŞA AÇILIR BİNİLİ KAPI MENTEŞE (RENKLİ) INWARD AND OUTWARD OPENING HINGE (COLORED) | WD64T-KM.822 | 1 ad / 1 pk |
| | AKS87 | HEMYÜZ İÇE AÇILIR KAPI MENTEŞE (ELOKSALLI) SYMMETRICAL INWARD OPENING HINGE (ANODIZED) | WD64T-KM.825 | 1 ad / 1 pk |
| | AKS88 | HEMYÜZ İÇE AÇILIR KAPI MENTEŞE (BEYAZI) SYMMETRICAL INWARD OPENING HINGE (WHITE) | WD64T-KM.826 | 1 ad / 1 pk |
| | AKS89 | HEMYÜZ İÇE AÇILIR KAPI MENTEŞE (RENKLİ) SYMMETRICAL INWARD OPENING HINGE (COLORED) | WD64T-KM.827 | 1 ad / 1 pk |
| | AKS93 | DIŞA AÇILIR ADAPTÖRLÜ BİNİLİ KAPI MENTEŞE (ELOKSALLI) OUTWARD OPENING OVERLAPPING HINGE (ANODIZED) | WD64T-KM.835 | 1 ad / 1 pk |
| | AKS94 | DIŞA AÇILIR ADAPTÖRLÜ BİNİLİ KAPI MENTEŞE (BEYAZ) OUTWARD OPENING OVERLAPPING HINGE (WHITE) | WD64T-KM.836 | 1 ad / 1 pk |
| | AKS95 | DIŞA AÇILIR ADAPTÖRLÜ BİNİLİ KAPI MENTEŞE (RENKLİ) OUTWARD OPENING OVERLAPPING HINGE (COLORED) | WD64T-KM.837 | 1 ad / 1 pk |
| | AKS90 | HEMYÜZ DIŞA AÇILIR KAPI MENTEŞE (ELOKSALLI) SYMMETRICAL OUTWARD OPENING HINGE (ANODIZED) | WD64T-KM.830 | 1 ad / 1 pk |
| | AKS91 | HEMYÜZ DIŞA AÇILIR KAPI MENTEŞE (BEYAZ) SYMMETRICAL OUTWARD OPENING HINGE (WHITE) | WD64T-KM.831 | 1 ad / 1 pk |
| | AKS92 | HEMYÜZ DIŞA AÇILIR KAPI MENTEŞE (RENKLİ) SYMMETRICAL OUTWARD OPENING HINGE (COLORED) | WD64T-KM.832 | 1 ad / 1 pk |
| | AKS507 | SİSTEM AYARLI VASİSTAS ÇARPMA (NATUREL) SYSTEM TRANSOM CATCH (NATURAL) | WD64T-VÇ.702 | 100 ad / 1 pk |
| | AKS508 | SİSTEM AYARLI VASİSTAS ÇARPMA (BEYAZ) SYSTEM TRANSOM CATCH (WHITE) | WD64T-VÇ.703 | 100 ad / 1 pk |
| | AKS509 | SİSTEM AYARLI VASİSTAS ÇARPMA (RENKLİ) SYSTEM TRANSOM CATCH (COLORED) | WD64T-VÇ.704 | 100 ad / 1 pk |
| | AKS747 | KASA DIŞ KÖŞE GÖNYE CORNER BRACKET | WD64T-KG.178 | 500 ad / 1 pk |
| | AKS3929 | LEVYE KOL (EURO KANAL İÇİN) SHOOTBOLT KIT LOCKING (FOR EURO GROOVE) | WD64T-LK.201 | 1 ad / 1 pk |


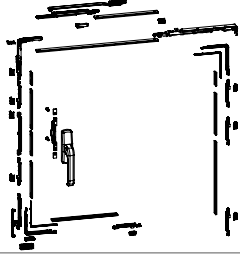

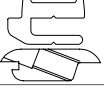
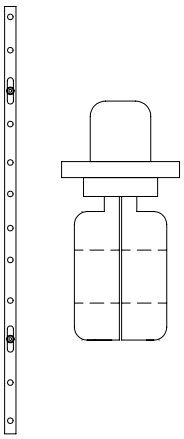

| AKSESUAR ACCESSORY | STOK KODU REFERENCE CODE | AKSESUAR ADI DESCRIPTION | AKSESUAR KODU PRODUCT CODE | PAKET PACK |
|---|-----------------------------|--|-------------------------------|---------------|
|  | AKS100 | ÇARPMA KAPI MENTEŞE (ELOKSALLI) OUTWARD OPENING OVERLAPPING HINGE (ANODIZED) | WD64T-ÇM.206 | 2 ad / 1 pk |
| | AKS99 | ÇARPMA KAPI MENTEŞE (BEYAZ) OUTWARD OPENING OVERLAPPING HINGE (WHITE) | WD64T-ÇM.202 | 2 ad / 1 pk |
|  | AKS437 | SİSTEM UZUN ZAMAK SÜRGÜ (NATUREL) SYSTEM ZAMAK LATCH (NATURAL) | WD64T-FS.201 | 10 ad / 1 pk |
| | AKS438 | SİSTEM UZUN ZAMAK SÜRGÜ (BEYAZ) SYSTEM ZAMAK LATCH (WHITE) | WD64T-FS.202 | 10 ad / 1 pk |
| | AKS439 | SİSTEM UZUN ZAMAK SÜRGÜ (RENKLİ) SYSTEM ZAMAK LATCH (COLORED) | WD64T-FS.203 | 10 ad / 1 pk |
|  | AKS489 | SİSTEM 13 CM VASİSTAS MAKAS (NATUREL) SYSTEM 13 CM TRANSOM TRUSS (ANODIZED) | WD64T-VM.301 | 50 ad / 1 pk |
| | AKS490 | SİSTEM 13 CM VASİSTAS MAKAS (BEYAZ) SYSTEM 13 CM TRANSOM TRUSS (WHITE) | WD64T-VM.302 | 50 ad / 1 pk |
| | AKS491 | SİSTEM 13 CM VASİSTAS MAKAS (RENKLİ) SYSTEM 13 CM TRANSOM TRUSS (COLORED) | WD64T-VM.303 | 50 ad / 1 pk |
|  | AKS493 | SİSTEM 22 CM VASİSTAS MAKAS (NATUREL) SYSTEM 22 CM TRANSOM TRUSS (ANODIZED) | WD64T-VM.401 | 50 ad / 1 pk |
| | AKS494 | SİSTEM 22 CM VASİSTAS MAKAS (BEYAZ) SYSTEM 22 CM TRANSOM TRUSS (WHITE) | WD64T-VM.402 | 50 ad / 1 pk |
| | AKS495 | SİSTEM 22 CM VASİSTAS MAKAS (RENKLİ) SYSTEM 22 CM TRANSOM TRUSS (COLORED) | WD64T-VM.403 | 50 ad / 1 pk |
|  | AKS540 | PVC KANALLI TEK AÇILIM MENTEŞE TAKIMI (9/18) PVC GROOVED CASEMENT HINGE (9/18) | WD64T-PM.650 | 10 ad / 1 pk |
|  | AKS3930 | PVC KANALLI ÇİFT AÇILIM MENTEŞE TAKIMI TİP 1 (9/18) PVC GROOVED TILT&TURN SET (9/18) | WD64T-PMT.420 | 1 ad / 1 pk |
|  | AKS69 | AYARLI KAPI MENTEŞESİ ESPAGNOLETTE-80 cm | WD64T-AKM.120 | 2 ad / 1 pk |
| | AKS70 | AYARLI KAPI MENTEŞESİ ESPAGNOLETTE-80 cm | WD64T-AKM.121 | 2 ad / 1 pk |
| | AKS71 | AYARLI KAPI MENTEŞESİ ESPAGNOLETTE-80 cm | WD64T-AKM.122 | 2 ad / 1 pk |

| AKSESUAR ACCESSORY | STOK KODU REFERENCE CODE | AKSESUAR ADI DESCRIPTION | AKSESUAR KODU PRODUCT CODE | | PAKET PACK |
|---|-----------------------------|---|-------------------------------|---|---------------|
|  | AKS3972 | GİZLİ MENTEŞELİ ÇİFT AÇILIM SETİ TİP 1 (SAĞ-SOL) HIDDEN HINGE TILT-TURN SET TYPE 1 (RIGHT-LEFT) | WD64T-GM.470 | TAŞIMA KAPASİTESİ 100 KG LOADING CAPACITY 100 KG | 1 ad / 1 pk |
|  | AKS763 | GİZLİ MENTEŞELİ TEK AÇILIM SETİ (SAĞ-SOL) HIDDEN HINGE CASEMENT SET (RIGHT-LEFT) | WD64T-GM.350 | TAŞIMA KAPASİTESİ 100 KG LOADING CAPACITY 100 KG | 1 ad / 1 tk |
|  | AKS3978 | EURO KANALLI ÇİFT AÇILIM SETİ TİP 1 EURO GROOVED TILT-TURN SET TYPE 1 | WD64T-CS.410 | TAŞIMA KAPASİTESİ MENTEŞE KİTİ DEĞİŞTİRİLEREK 90 İLE 160 KG ARALIĞINDA TERCİH EDİLEBİLİR. Depending on the hinge selection loading capacity can be between 90-160 kg. | 1 ad / 1 pk |
|  | AKS766 | TEK AÇILIM SETİ CASEMENT SET | WD64T-TS.353 | TAŞIMA KAPASİTESİ MENTEŞE KİTİ DEĞİŞTİRİLEREK 65 İLE 160 KG ARALIĞINDA TERCİH EDİLEBİLİR. Depending on the hinge selection loading capacity can be between 65-160 kg. | 1 ad / 1 pk |
|  | AKS499 | AYARLI KADEMELİ MAKAS 5 KADEME ADJUSTABLE TRUSS | WD64T-KM.1000 | | 10 ad / 1 pk |
| | AKS500 | AYARLI KADEMELİ MAKAS 3 KADEME ADJUSTABLE TRUSS | WD64T-KM.1001 | | 10 ad / 1 pk |
|  | AKS2593 | KAPI POMPASI DOOR PUMP | WD64T-KP.306 | | 1 ad / 1 tk |
|  | AKS4212 | 40'LİK KÖR KASA YALITIM BANDI BLIND FRAME INSULATING TAPE (40) | WD64T-KTB.100 | | 50 mt / 1 top |
| | AKS4213 | 60'LİK KÖR KASA YALITIM BANDI BLIND FRAME INSULATING TAPE (60) | WD64T-KTB.110 | | 50 mt / 1 top |

| AKSESUAR ACCESSORY | STOK KODU REFERENCE CODE | AKSESUAR ADI DESCRIPTION | AKSESUAR KODU PRODUCT CODE | PAKET PACK |
|-----------------------|-----------------------------|---|-------------------------------|---------------|
| | AKS2611 | KAPI STOPERİ (BEYAZ) DOOR STOPER (WHITE) | WD64T-KP.521 | 1 ad / 1 pk |
| | AKS2612 | KAPI STOPERİ (RENKLİ) DOOR STOPER (COLORED) | WD64T-KP.522 | 1 ad / 1 pk |
| | AKS2613 | KAPI STOPERİ (NATUREL) DOOR STOPER (NATURAL) | WD64T-KP.523 | 1 ad / 1 pk |
| | AKS2616 | MOTORLU YÜKSEK AÇILIM SETİ MOTORIZED HIGH OPENING SET | WD64T-MYAS.20 | 1 ad / 1 pk |
| | AKS4315 | YAYLI SOSİS KOL SPRING DOOR HANDLE | WD64T-YK.104 | 1 ad / 1 pk |
| | AKS4750 | YAYLI SOSİS KOL BAREL ROZETİ SPRING DOOR HANDLE CYLINDER BADGE | WD64T-BR.109 | 2 ad / 1 pk |
| | AKS401 | U KOL (ELOKSALLI) U SHAPED HANDLE (ANODIZED) | WD64T-UK.101 | 1 ad / 1 pk |
| | AKS219 | H KOL (ELOKSALLI) H SHAPED HANDLE (ANODIZED) | WD64T-HK.309 | 1 ad / 1 pk |
| | AKS159 | KIVRIK KOL (ELOKSALLI) CONVOLUTATED HANDLE (ANODIZED) | WD64T-VK.401 | 1 ad / 1 pk |
| | AKS153 | 25 mm 20 cm KIVRIK KOL (PRES) SEMI-CIRCULAR HANDLE (PRESS) | WD64T-KKP.300 | 1 ad / 1 pk |
| | AKS158 | 25 mm 30 cm KIVRIK KOL (PRES) SEMI-CIRCULAR HANDLE (PRESS) | WD64T-KKP.400 | 1 ad / 1 pk |
| | AKS3987 | 90 CM PLEKSİ BANT KOL 90 CM HANDLE | WD64T-LBK.210 | 1 tk / 1 pk |
| | AKS3988 | 100 CM PLEKSİ BANT KOL 100 CM HANDLE | WD64T-LBK.211 | 1 tk / 1 pk |
| | AKS196 | 50 CM YAY KOL (PRES) 50 CM ARROW HANDLE (PRESS) | WD64T-YK.199 | 1 ad / 1 pk |
| | AKS197 | 50 CM YAY KOL (BEYAZ) 50 CM ARROW HANDLE (WHITE) | WD64T-YK.200 | 1 ad / 1 pk |
| | AKS198 | 50 CM YAY KOL (ELOKSALLI) 50 CM ARROW HANDLE (ANODIZED) | WD64T-YK.201 | 1 ad / 1 pk |
| | AKS199 | 50 CM YAY KOL (RENKLİ) 50 CM ARROW HANDLE (COLORED) | WD64T-YK.202 | 1 ad / 1 pk |
| | AKS892 | ROTO SECUSTİK PENCERE KOLU ROTO WINDOW HANDLE | WD64T-RK.291 | 1 ad / 1 pk |

| AKSESUAR ACCESSORY | STOK KODU REFERENCE CODE | AKSESUAR ADI DESCRIPTION | AKSESUAR KODU PRODUCT CODE | PAKET PACK |
|--|-----------------------------|--|-------------------------------|----------------|
|  | AKS828 | PANİK BAR BARELSİZ PANIC BAR | WD64T-PB.103 | 1 ad / 1 kutu |
|  | AKS830 | PANİK BAR ROZETLİ KOL (KİLİTLENEBİLİR) PANIC BAR | WD64T-PB.104 | 1 ad / 1 kutu |
|  | AKS829 | PANİK BAR BARELLİ PANIC BAR | WD64T-PB.105 | 75 ad / 1 kutu |
|  | AKS1943 | PANİK BAR-ÇİFT KANAT SERT BARELSİZ PANIC BAR | WD64T-PB.106 | 4 ad / 1 kutu |
|  | AKS185 | AKBANK KOLU APARATI BORU HARİÇ (PRES) AKBANK DOOR HANDLE (PRESS) | WD64T-AK.100 | 1 ad / 1 pk |
| | AKS186 | AKBANK KOLU APARATI BORU HARİÇ (ELOKSALLI) AKBANK DOOR HANDLE (ANODIZED) | WD64T-AK.101 | 1 ad / 1 pk |
| | AKS187 | AKBANK KOLU APARATI BORU HARİÇ (BEYAZ) AKBANK DOOR HANDLE (WHITE) | WD64T-AK.102 | 1 ad / 1 pk |
| | AKS188 | AKBANK KOLU APARATI BORU HARİÇ (RENKLİ) AKBANK DOOR HANDLE (COLORED) | WD64T-AK.103 | 1 ad / 1 pk |
|  | AKS190 | AKBANK KOLU DÜZ APARATI BORU HARİÇ (PRES) STRAIGHT AKBANK DOOR HANDLE (PRESS) | WD64T-AK.190 | 1 ad / 1 pk |
|  | AKS174 | YARIM AY KAPI KOLU (ELOKSALLI) SEMI-CIRCULAR DOOR HANDLE (ANODIZED) | WD64T-YAK.901 | 1 ad / 1 pk |
| | AKS175 | YARIM AY KAPI KOLU (B. BOYALI) SEMI-CIRCULAR DOOR HANDLE (PAINTED) | WD64T-YAK.902 | 1 ad / 1 pk |
| | AKS176 | YARIM AY KAPI KOLU (RENKLİ) SEMI-CIRCULAR DOOR HANDLE (COLORED) | WD64T-YAK.903 | 1 ad / 1 pk |
|  | AKS307 | FORZA EFOR YAYLI KAPI KOLU (BEYAZ) FORZA EFOR DOOR HANDLE (WHITE) | WD64T-FK.902 | 1 ad / 1 pk |
| | AKS308 | FORZA EFOR YAYLI KAPI KOLU (RENKLİ) FORZA EFOR DOOR HANDLE (COLORED) | WD64T-FK.903 | 1 ad / 1 pk |
| | AKS309 | FORZA EFOR YAYLI KAPI KOLU (NATUREL) FORZA EFOR DOOR HANDLE (NATURAL) | WD64T-FK.904 | 1 ad / 1 pk |
|  | AKS122 | FORZA EFOR EKSENEL PENCERE KOLU (BEYAZ) FORZA EFOR AXIAL WINDOW HANDLE (WHITE) | WD64T-FPK.702 | 1 ad / 1 pk |
| | AKS123 | FORZA EFOR EKSENEL PENCERE KOLU (RENKLİ) FORZA EFOR AXIAL WINDOW HANDLE (COLORED) | WD64T-FPK.703 | 1 ad / 1 pk |
| | AKS124 | FORZA EFOR EKSENEL PENCERE KOLU (NATUREL) FORZA EFOR AXIAL WINDOW HANDLE (NATURAL) | WD64T-FPK.803 | 1 ad / 1 pk |

| AKSESUAR ACCESSORY | STOK KODU REFERENCE CODE | AKSESUAR ADI DESCRIPTION | AKSESUAR KODU PRODUCT CODE | PAKET PACK |
|---|-----------------------------|---|-------------------------------|---------------|
|  | AKS3914 | FORZA EFOR EKSENEL PENCERE KOLU ÇİFT DİLLİ (PRES) FORZA EFOR AXIAL WINDOW HANDLE (PRESS) | WD64T-PK.708 | 1 ad / 1 pk |
| | AKS3915 | FORZA EFOR EKSENEL PENCERE KOLU ÇİFT DİLLİ (BEYAZ) FORZA EFOR AXIAL WINDOW HANDLE (WHITE) | WD64T-PK.709 | 1 ad / 1 pk |
| | AKS3916 | FORZA EFOR EKSENEL PENCERE KOLU ÇİFT DİLLİ (NATUREL) FORZA EFOR AXIAL WINDOW HANDLE (NATURAL) | WD64T-PK.710 | 1 ad / 1 pk |
| | AKS3917 | FORZA EFOR EKSENEL PENCERE KOLU ÇİFT DİLLİ (RENKLİ) FORZA EFOR AXIAL WINDOW HANDLE (COLORED) | WD64T-PK.711 | 1 ad / 1 pk |
|   | AKS125 | FORZA YANKI EKSENEL PENCERE KOLU (PRES) FORZA YANKI AXIAL WINDOW HANDLE (PRESS) | WD64T-EK.809 | 1 ad / 1 pk |
| | AKS126 | FORZA YANKI EKSENEL PENCERE KOLU (NATUREL) FORZA YANKI AXIAL WINDOW HANDLE (NATURAL) | WD64T-EK.810 | 1 ad / 1 pk |
| | AKS127 | FORZA YANKI EKSENEL PENCERE KOLU (BEYAZ) FORZA YANKI AXIAL WINDOW HANDLE (WHITE) | WD64T-EK.811 | 1 ad / 1 pk |
| | AKS128 | FORZA YANKI EKSENEL PENCERE KOLU (RENKLİ) FORZA YANKI AXIAL WINDOW HANDLE (COLORED) | WD64T-EK.812 | 1 ad / 1 pk |
|  | AKS3918 | FORZA YANKI EKSENEL PENCERE KOLU ÇİFT DİLLİ(NATUREL) FORZA YANKI AXIAL WINDOW HANDLE (NATUREL) | WD64T-FYK.820 | 1 ad / 1 pk |
| | AKS3919 | FORZA YANKI EKSENEL PENCERE KOLU ÇİFT DİLLİ(BEYAZ) FORZA YANKI AXIAL WINDOW HANDLE (WHITE) | WD64T-FYK.821 | 1 ad / 1 pk |
| | AKS3920 | FORZA YANKI EKSENEL PENCERE KOLU ÇİFT DİLLİ(RENKLİ) FORZA YANKI AXIAL WINDOW HANDLE (COLORED) | WD64T-FYK.822 | 1 ad / 1 pk |
| | AKS3921 | FORZA YANKI EKSENEL PENCERE KOLU ÇİFT DİLLİ(PRES) FORZA YANKI AXIAL WINDOW HANDLE (PRESS) | WD64T-FYK.823 | 1 ad / 1 pk |
|  | AKS120 | EKSENEL KOL ROTO (ELOKSALLI) ROTO AXIAL HANDLE (ANODIZED) | WD64T-RK.601 | 1 ad / 1 pk |
| | AKS121 | EKSENEL KOL ROTO (ELOKSALLI KİLİTLİ) ROTO AXIAL HANDLE (ANODIZED LOCKED) | WD64T-RK.604 | 1 ad / 1 pk |
|  | AKS4150 | AYNALI KAPI KOLU MIRROR DOOR HANDLE | WD64T-AKK.830 | 1 ad / 1 pk |
|  | AKS768 | ÇİFT MAÇALI KOL TİJ BAĞLANTI DOUBLE HANDLE STEM BAR CONNECTION | WD64T-ÇTB.600 | 1 tk / 1 pk |

| AKSESUAR ACCESSORY | STOK KODU REFERENCE CODE | AKSESUAR ADI DESCRIPTION | AKSESUAR KODU PRODUCT CODE | PAKET PACK |
|---|-----------------------------|---|-------------------------------|----------------|
|  | AKS3926 | TEK MAÇALI KOL TİJ BAĞLANTI SINGLE HANDLE STEM BAR CONNECTION | WD64T-TTB.610 | 1 ad / 1 tk |
|  | AKS3989 | TBT AÇILIM SETİ SINGLE HANDLE STEM BAR CONNECTION | WD64T-TBT.871 | 1 ad / 1 tk |
|  | AKS752 | PVC KANALLI İSPANYOLET KARŞILIĞI PVC GROOVED ESPAGNOLETTE (SCREWED) | WD64T-PK.217 | 100 ad / 1 pk |
|  | AKS3927 | SİSTEM KANAT KALDIRMA TAKOZU SYSTEM SASH ADJUSTING BRACKET | WD64T-KST.210 | 50 ad / 1 pk |
|  | AKS1812 | İSPANYOLET-80 cm ESPAGNOLETTE-80 cm | WD64T-İSP.452 | 1 ad / 1 pk |
| | AKS1813 | İSPANYOLET-100 cm ESPAGNOLETTE-100 cm | WD64T-İSP.453 | 1 ad / 1 pk |
| | AKS1814 | İSPANYOLET-120 cm ESPAGNOLETTE-120 cm | WD64T-İSP.454 | 1 ad / 1 pk |
| | AKS1815 | İSPANYOLET-140 cm ESPAGNOLETTE-140 cm | WD64T-İSP.455 | 1 ad / 1 pk |
| | AKS1816 | İSPANYOLET-160 cm ESPAGNOLETTE-160 cm | WD64T-İSP.456 | 1 ad / 1 pk |
| | AKS1817 | İSPANYOLET-180 cm ESPAGNOLETTE-180 cm | WD64T-İSP.457 | 1 ad / 1 pk |
|  | AKS2256 | Ø3.9X13 mm YSB M.U.V Ø3.9X13 mm SELF DRILLING CURVED TOP SCREW | WD64T-SC.200 | 1000 ad / 1 pk |
| | | | | |
| | | | | |
| | | | | |
| | | | | |
| | | | | |
| | | | | |



PVC KANALLI ÇİFT AÇILIM
PVC GROOVED TILT-TURN

| YÜKSEKLİK | GENİŞLİK | | | | | | |
|--------------|---------------------|---------------------|---------------------|---------------------|---------------------|---------------------|-------------|
| | H \ L | 400 - 500 | 501 - 750 | 751 - 1000 | 1001 - 1200 | 1201 - 1450 | 1451 - 1600 |
| 480 590 | TİP 1 01 090420 | TİP 2 01 090421 | TİP 3 01 090422 | TİP 4 01 090423 | TİP 5 01 090424 | TİP 6 01 090425 | |
| | TİP 7 01 090426 | TİP 8 01 090427 | TİP 9 01 090428 | TİP 10 01 090429 | TİP 11 01 090430 | TİP 12 01 090431 | |
| 591 750 | TİP 13 01 090432 | TİP 14 01 090433 | TİP 15 01 090434 | TİP 16 01 090435 | TİP 17 01 090436 | TİP 18 01 090437 | |
| | TİP 19 01 090438 | TİP 20 01 090439 | TİP 21 01 090440 | TİP 22 01 090441 | TİP 23 01 090442 | TİP 24 01 090443 | |
| 751 1200 | TİP 25 01 090444 | TİP 26 01 090445 | TİP 27 01 090446 | TİP 28 01 090447 | TİP 29 01 090448 | TİP 30 01 090449 | |
| | TİP 31 01 090450 | TİP 32 01 090451 | TİP 33 01 090452 | TİP 34 01 090453 | TİP 35 01 090454 | TİP 36 01 090455 | |
| 951 1450 | TİP 37 01 090456 | TİP 38 01 090457 | TİP 39 01 090458 | TİP 40 01 090459 | TİP 41 01 090460 | TİP 42 01 090461 | |
| | TİP 31 01 090450 | TİP 32 01 090451 | TİP 33 01 090452 | TİP 34 01 090453 | TİP 35 01 090454 | TİP 36 01 090455 | |
| 1201 1700 | TİP 37 01 090456 | TİP 38 01 090457 | TİP 39 01 090458 | TİP 40 01 090459 | TİP 41 01 090460 | TİP 42 01 090461 | |
| | TİP 37 01 090456 | TİP 38 01 090457 | TİP 39 01 090458 | TİP 40 01 090459 | TİP 41 01 090460 | TİP 42 01 090461 | |

EURO KANALLI ÇİFT AÇILIM
EURO GROOVED TILT-TURN

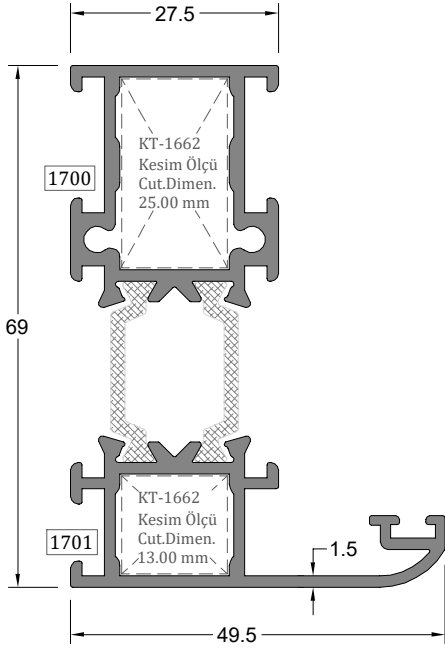
| YÜKSEKLİK | GENİŞLİK | | |
|--------------|--------------------|--------------------|--------------------|
| | H \ L | 390 - 700 | 701 -1300 |
| 580 1200 | TİP 1 01 090410 | TİP 2 01 090411 | TİP 3 01 090412 |
| | TİP 4 01 090413 | TİP 5 01 090414 | TİP 6 01 090415 |
| 1201 1800 | TİP 7 01 090416 | TİP 8 01 090417 | TİP 9 01 090418 |

GİZLİ MENTEŞELİ ÇİFT AÇILIM SETİ
CASEMENT SET WITH CONCEALED HINGE TILT-TURN

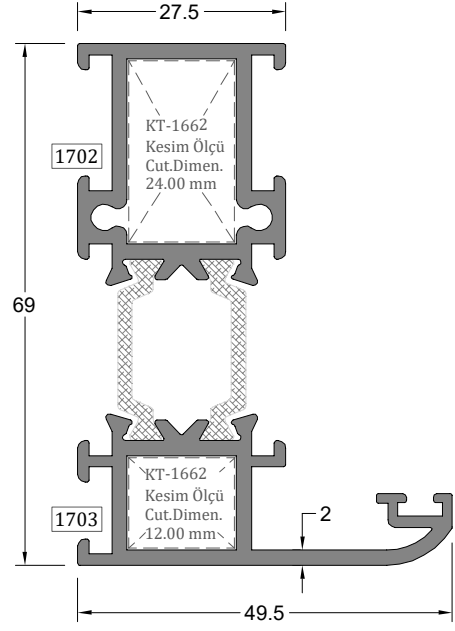
| YÜKSEKLİK | GENİŞLİK | | |
|-------------|--------------------|--------------------|--------------------|
| | H \ L | 345 - 700 | 701 -1200 |
| 580 1200 | TİP 1 01 090470 | TİP 2 01 090471 | TİP 3 01 090472 |
| | TİP 4 01 090473 | TİP 5 01 090474 | TİP 6 01 090475 |

TBT AÇILIM
TBT OPENING

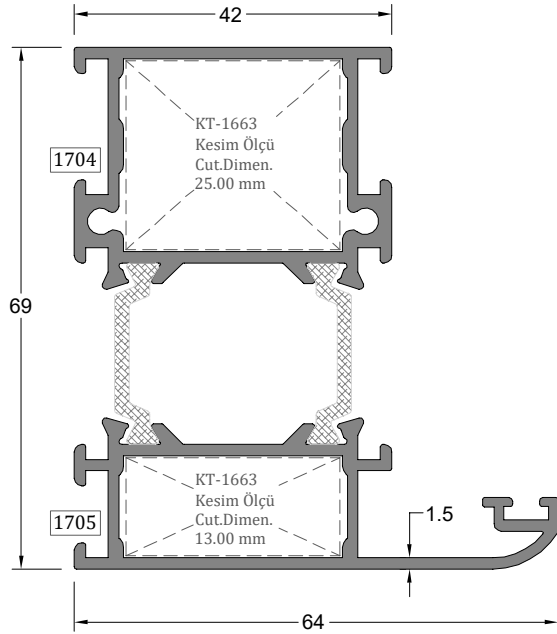
| YÜKSEKLİK | GENİŞLİK | | | |
|-------------|--------------------|--------------------|--------------------|--------------------|
| | H \ L | 430 - 700 | 701 -1200 | 1201 - 1350 |
| 500 1200 | TİP 1 01 090871 | TİP 2 01 090872 | TİP 3 01 090873 | TİP 4 01 090874 |
| | TİP 5 01 090875 | TİP 6 01 090876 | TİP 7 01 090877 | TİP 8 01 090878 |



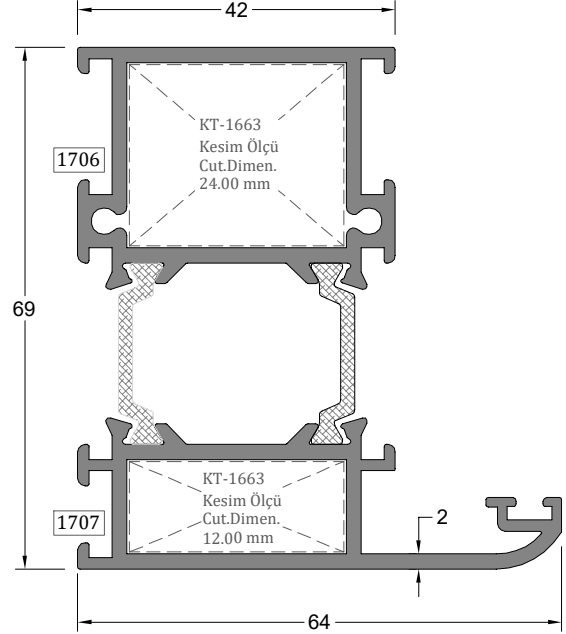
| Kasa Profili FRAME PROFILE | Profil Kodu Profile Code | (kg/mt) Weight | Jx cm ⁴ | Jy cm ⁴ |
|-------------------------------|-----------------------------|-------------------|--------------------|--------------------|
| | 64-1700-1701 | 1,423 | 25,80 | 7,22 |



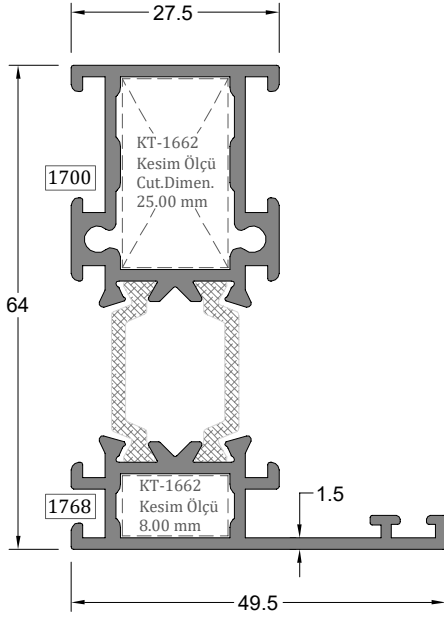
| Kasa Profili FRAME PROFILE | Profil Kodu Profile Code | (kg/mt) Weight | Jx cm ⁴ | Jy cm ⁴ |
|-------------------------------|-----------------------------|-------------------|--------------------|--------------------|
| | 64-1702-1703 | 1,604 | 30,23 | 7,98 |



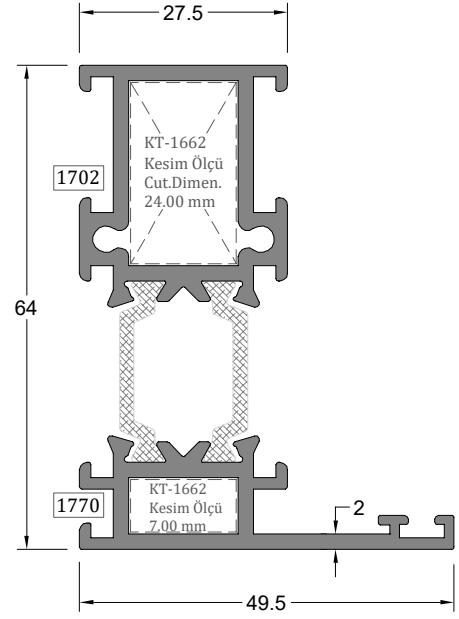
| Kasa Profili FRAME PROFILE | Profil Kodu Profile Code | (kg/mt) Weight | Jx cm ⁴ | Jy cm ⁴ |
|-------------------------------|-----------------------------|-------------------|--------------------|--------------------|
| | 64-1704-1705 | 1,663 | 31,55 | 16,62 |



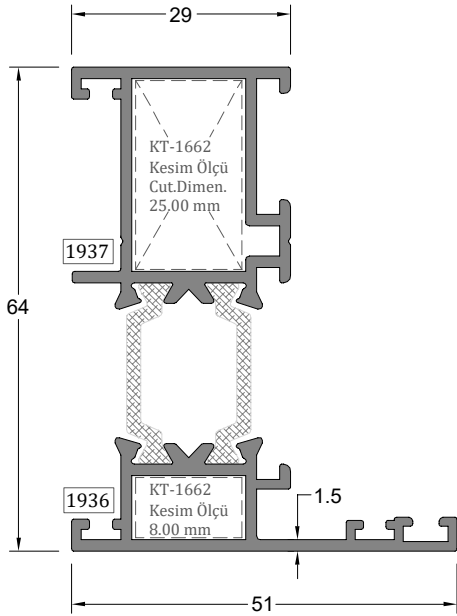
| Kasa Profili FRAME PROFILE | Profil Kodu Profile Code | (kg/mt) Weight | Jx cm ⁴ | Jy cm ⁴ |
|-------------------------------|-----------------------------|-------------------|--------------------|--------------------|
| | 64-1706-1707 | 1,926 | 37,89 | 18,61 |



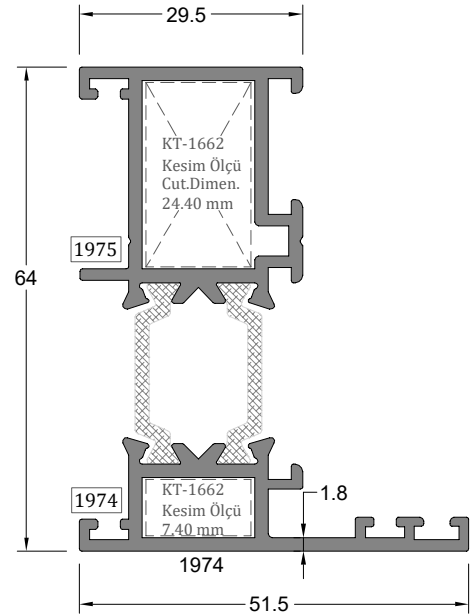
| Kasa Profili | Profil Kodu | (kg/mt) | Jx cm ⁴ | Jy cm ⁴ |
|---------------|--------------|---------|--------------------|--------------------|
| FRAME PROFILE | Profile Code | Weight | | |
| | 64-1700-1768 | 1,341 | 21,42 | 5,94 |



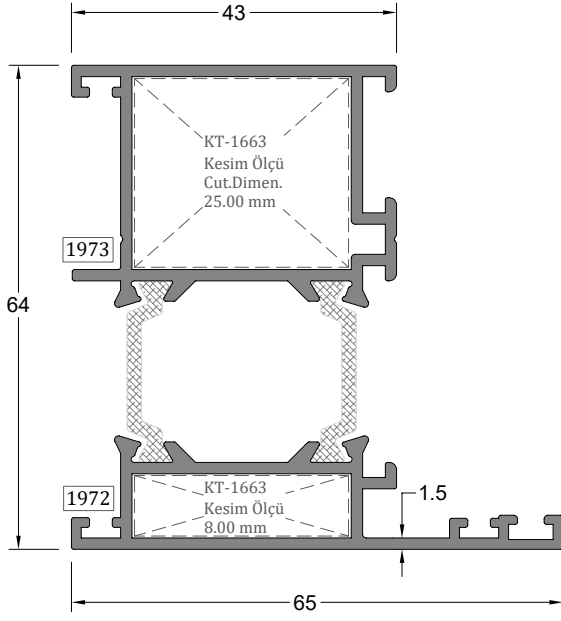
| Kasa Profili | Profil Kodu | (kg/mt) | Jx cm ⁴ | Jy cm ⁴ |
|---------------|--------------|---------|--------------------|--------------------|
| FRAME PROFILE | Profile Code | Weight | | |
| | 64-1702-1770 | 1,496 | 24,76 | 6,37 |



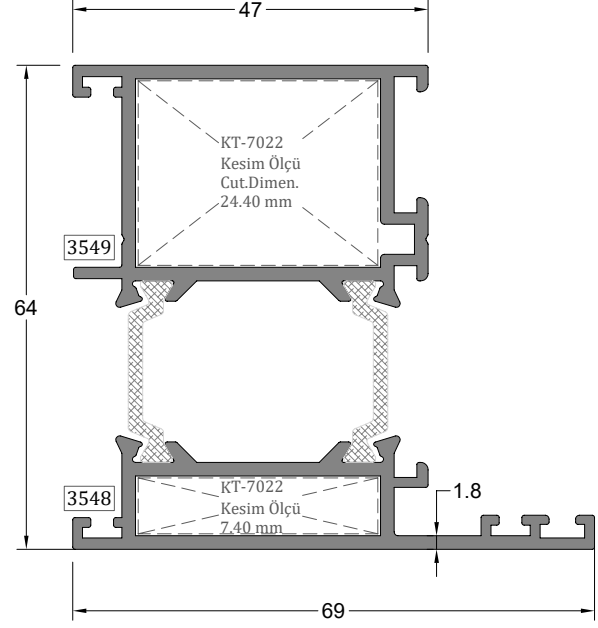
| Kasa Profili | Profil Kodu | (kg/mt) | Jx cm ⁴ | Jy cm ⁴ |
|---------------|--------------|---------|--------------------|--------------------|
| FRAME PROFILE | Profile Code | Weight | | |
| | 64-1937-1936 | 1,263 | 21,01 | 5,42 |



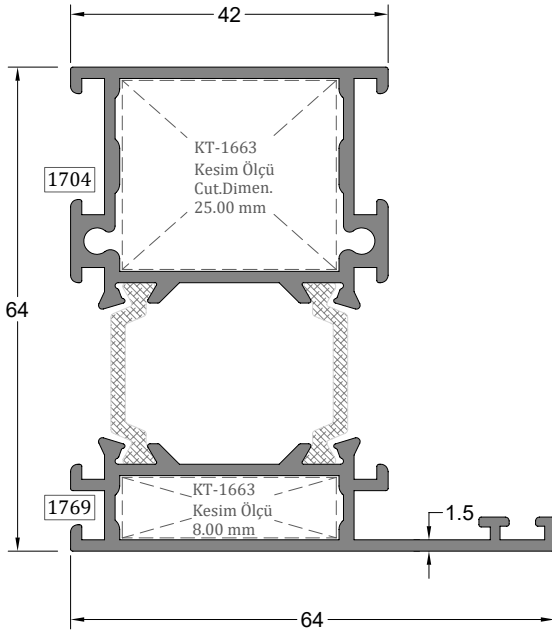
| Kasa Profili | Profil Kodu | (kg/mt) | Jx cm ⁴ | Jy cm ⁴ |
|---------------|--------------|---------|--------------------|--------------------|
| FRAME PROFILE | Profile Code | Weight | | |
| | 64-1975-1974 | 1,413 | 23,81 | 6,10 |



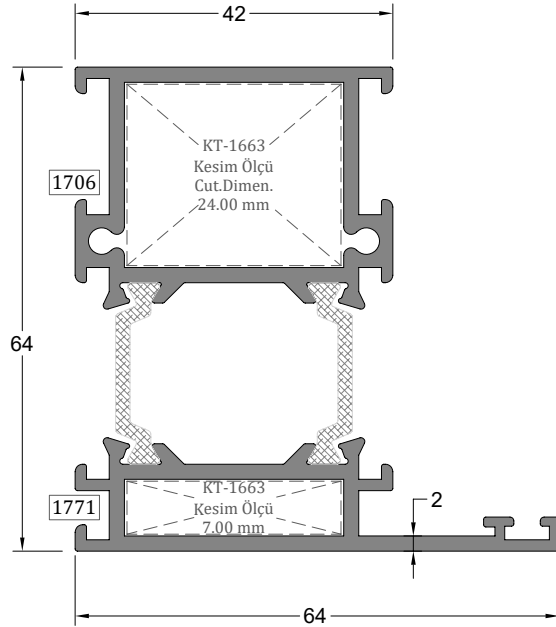
| Kasa Profili | Profil Kodu | (kg/mt) | Jx cm ⁴ | Jy cm ⁴ |
|---------------|--------------|---------|--------------------|--------------------|
| FRAME PROFILE | Profile Code | Weight | | |
| | 64-1973-1972 | 1,543 | 26,06 | 12,88 |



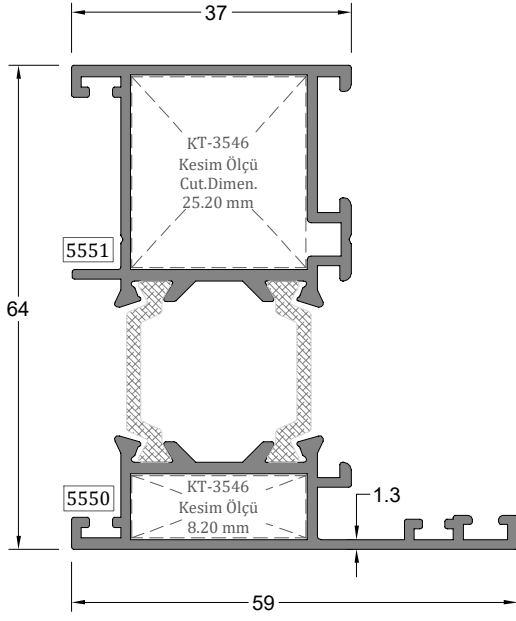
| Kasa Profili | Profil Kodu | (kg/mt) | Jx cm ⁴ | Jy cm ⁴ |
|---------------|--------------|---------|--------------------|--------------------|
| FRAME PROFILE | Profile Code | Weight | | |
| | 64-3549-3548 | 1,731 | 31,20 | 17,29 |



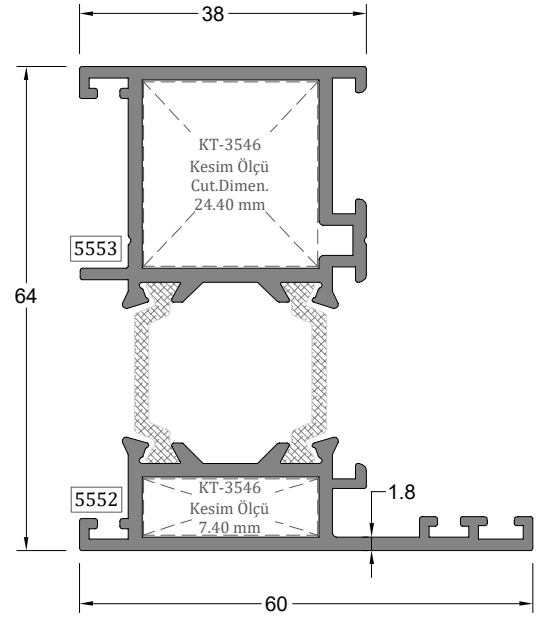
| Kasa Profili | Profil Kodu | (kg/mt) | Jx cm ⁴ | Jy cm ⁴ |
|---------------|--------------|---------|--------------------|--------------------|
| FRAME PROFILE | Profile Code | Weight | | |
| | 64-1704-1769 | 1,580 | 26,55 | 14,39 |



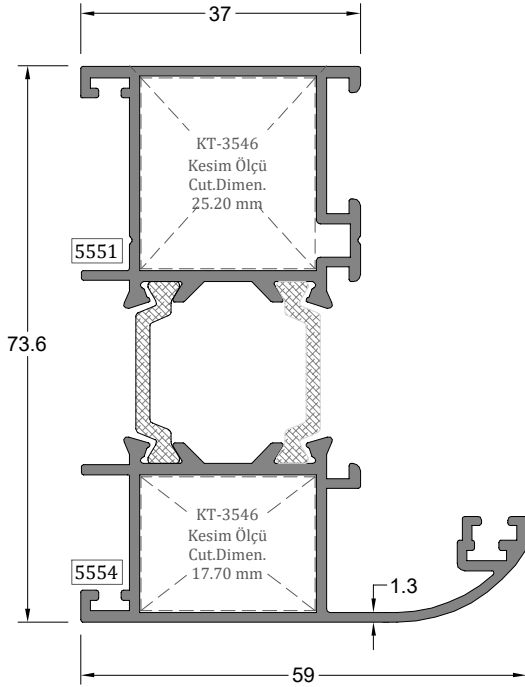
| Kasa Profili | Profil Kodu | (kg/mt) | Jx cm ⁴ | Jy cm ⁴ |
|---------------|--------------|---------|--------------------|--------------------|
| FRAME PROFILE | Profile Code | Weight | | |
| | 64-1706-1771 | 1,818 | 31,57 | 15,80 |



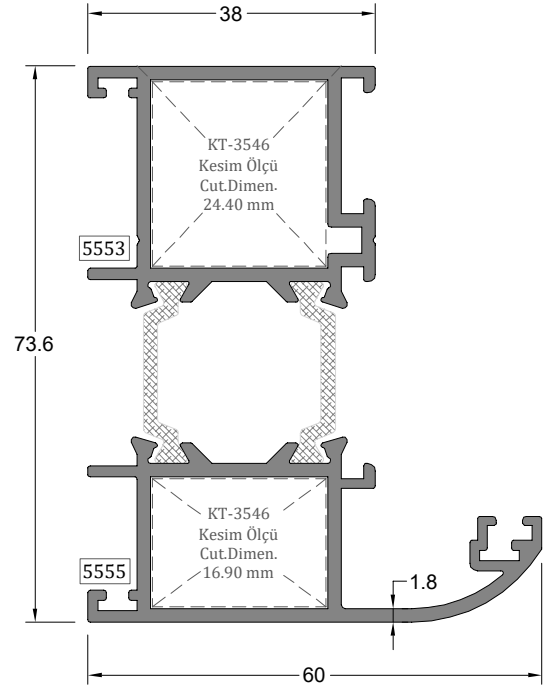
| Kasa Profili FRAME PROFILE | Profil Kodu Profile Code | (kg/mt) Weight | Jx cm ⁴ | Jy cm ⁴ |
|-------------------------------|-----------------------------|-------------------|--------------------|--------------------|
| | 64-5551-5550 | 1,310 | 22,04 | 8,72 |



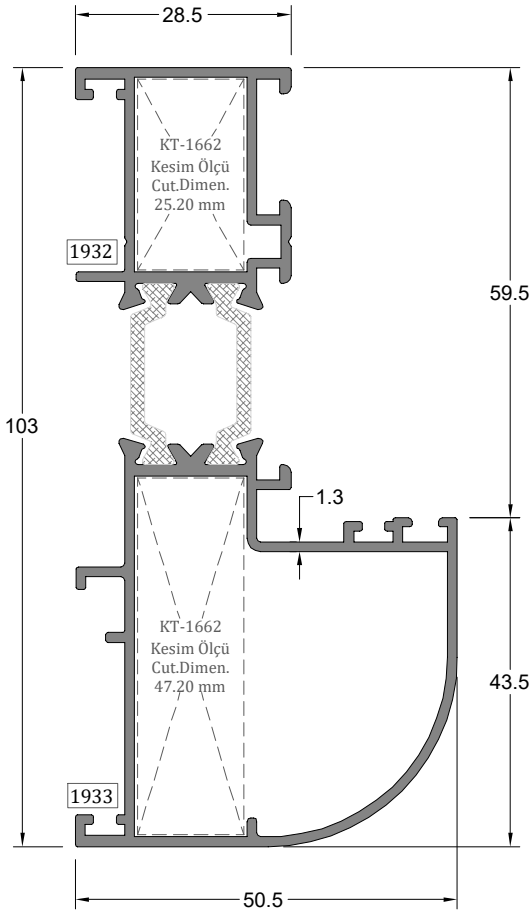
| Kasa Profili FRAME PROFILE | Profil Kodu Profile Code | (kg/mt) Weight | Jx cm ⁴ | Jy cm ⁴ |
|-------------------------------|-----------------------------|-------------------|--------------------|--------------------|
| | 64-5553-5552 | 1,539 | 27,41 | 10,56 |



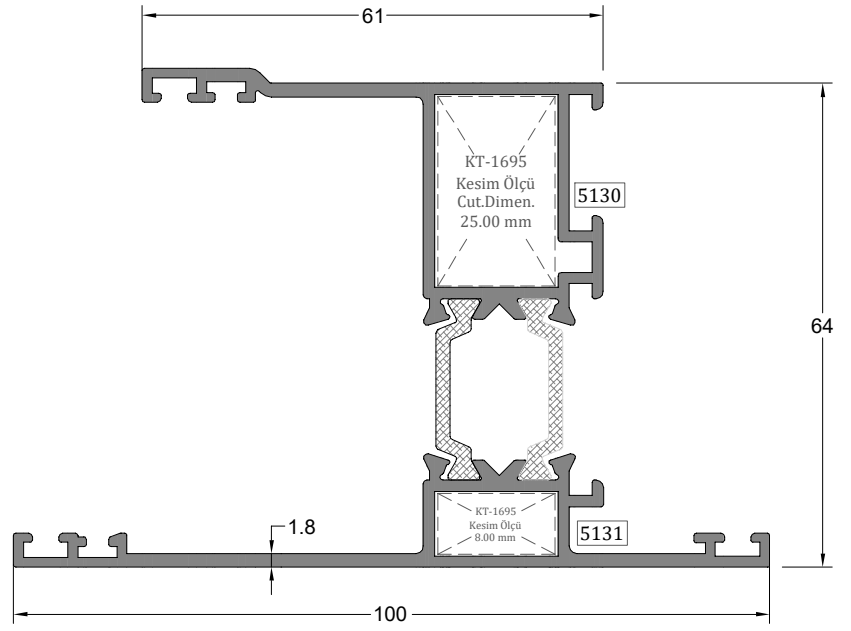
| Kasa Profili FRAME PROFILE | Profil Kodu Profile Code | (kg/mt) Weight | Jx cm ⁴ | Jy cm ⁴ |
|-------------------------------|-----------------------------|-------------------|--------------------|--------------------|
| | 64-5551-5554 | 1,436 | 29,69 | 11,05 |



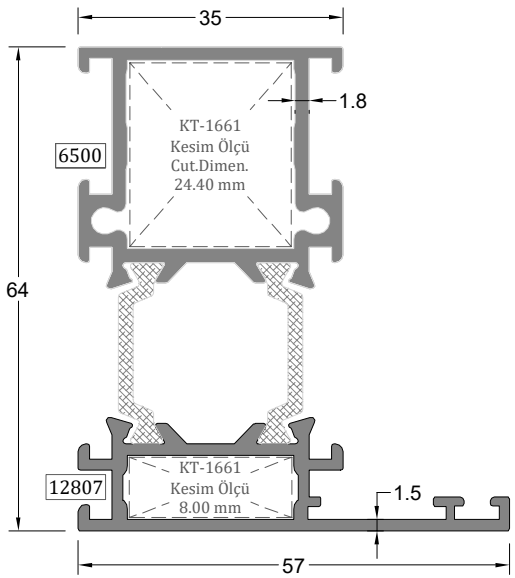
| Kasa Profili FRAME PROFILE | Profil Kodu Profile Code | (kg/mt) Weight | Jx cm ⁴ | Jy cm ⁴ |
|-------------------------------|-----------------------------|-------------------|--------------------|--------------------|
| | 64-5553-5555 | 1,727 | 37,55 | 13,84 |



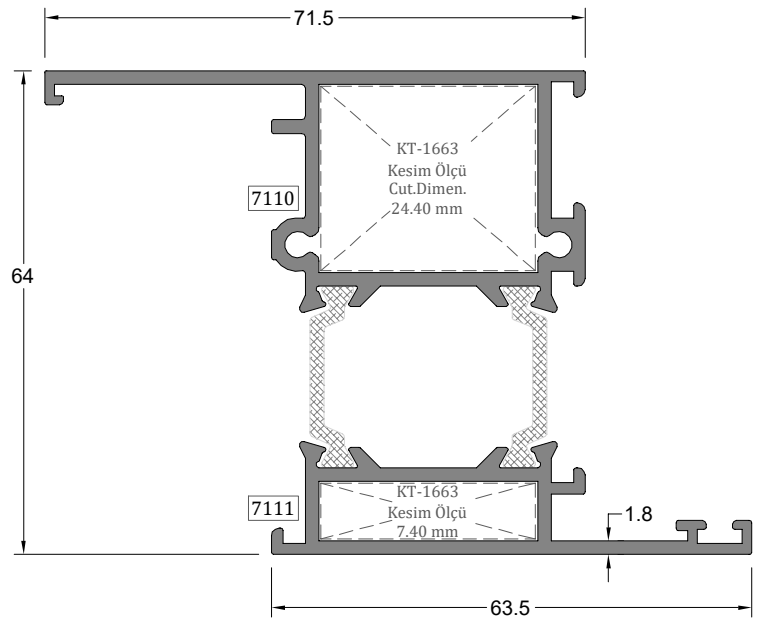
| Kasa Profili | Profil Kodu | (kg/mt) | Jx cm ⁴ | Jy cm ⁴ |
|---------------|--------------|---------|--------------------|--------------------|
| FRAME PROFILE | Profile Code | Weight | | |
| | 64-1932-1933 | 1,548 | 53,97 | 10,47 |



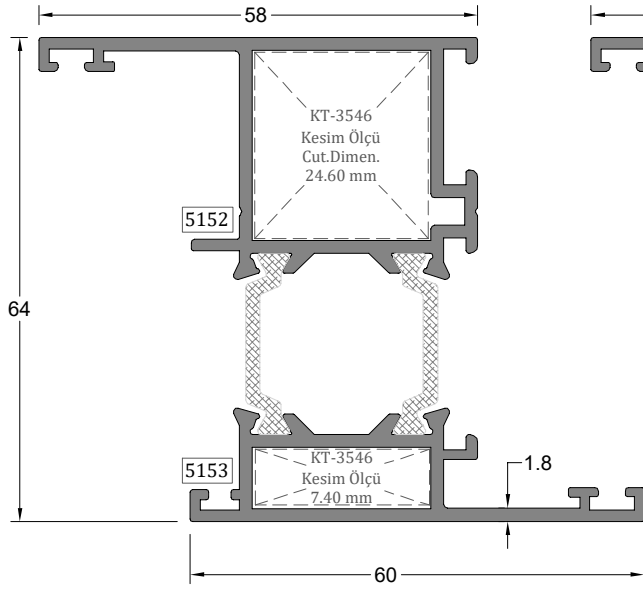
| Kasa Profili | Profil Kodu | (kg/mt) | Jx cm ⁴ | Jy cm ⁴ |
|---------------|--------------|---------|--------------------|--------------------|
| FRAME PROFILE | Profile Code | Weight | | |
| | 64-5130-5131 | 1,689 | 36,82 | 28,90 |



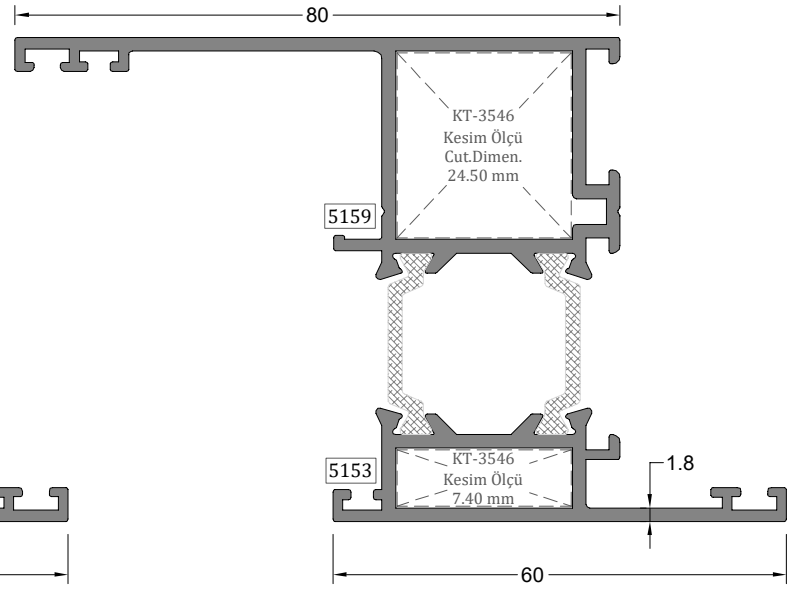
| Kasa Profili | Profil Kodu | (kg/mt) | Jx cm ⁴ | Jy cm ⁴ |
|---------------|---------------|---------|--------------------|--------------------|
| FRAME PROFILE | Profile Code | Weight | | |
| | 64-6500-12807 | 1,450 | 48,21 | 18,01 |



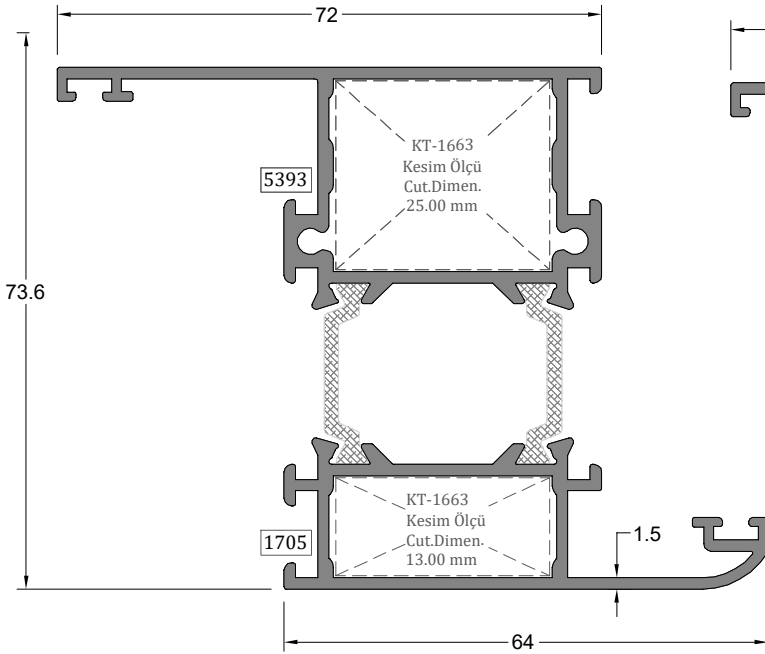
| Z Kasa Profili | Profil Kodu | (kg/mt) | Jx cm ⁴ | Jy cm ⁴ |
|-----------------|--------------|---------|--------------------|--------------------|
| Z FRAME PROFILE | Profile Code | Weight | | |
| | 64-7110-7111 | 1,824 | 35,30 | 23,15 |



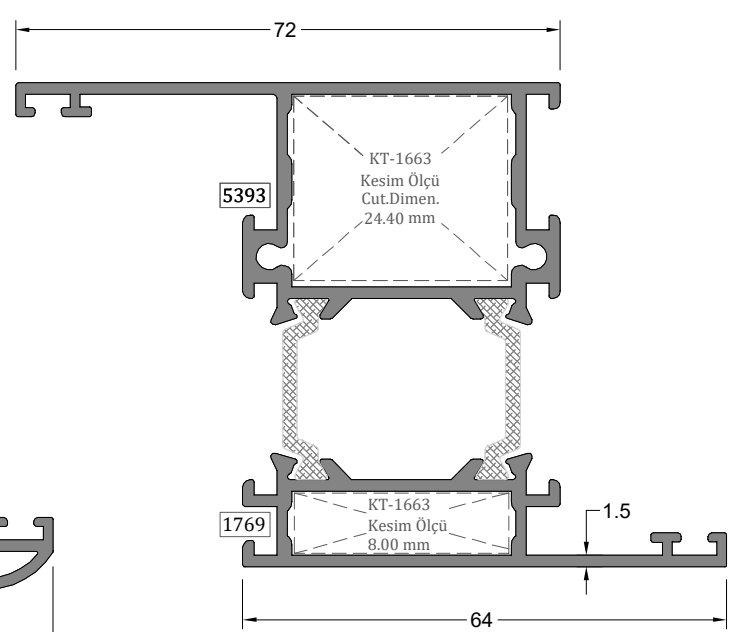
| Z Kasa Profili | Profil Kodu | (kg/mt) | Jx cm ⁴ | Jy cm ⁴ |
|-----------------|--------------|---------|--------------------|--------------------|
| Z FRAME PROFILE | Profile Code | Weight | | |
| | 64-5152-5153 | 1,634 | 30,89 | 15,12 |



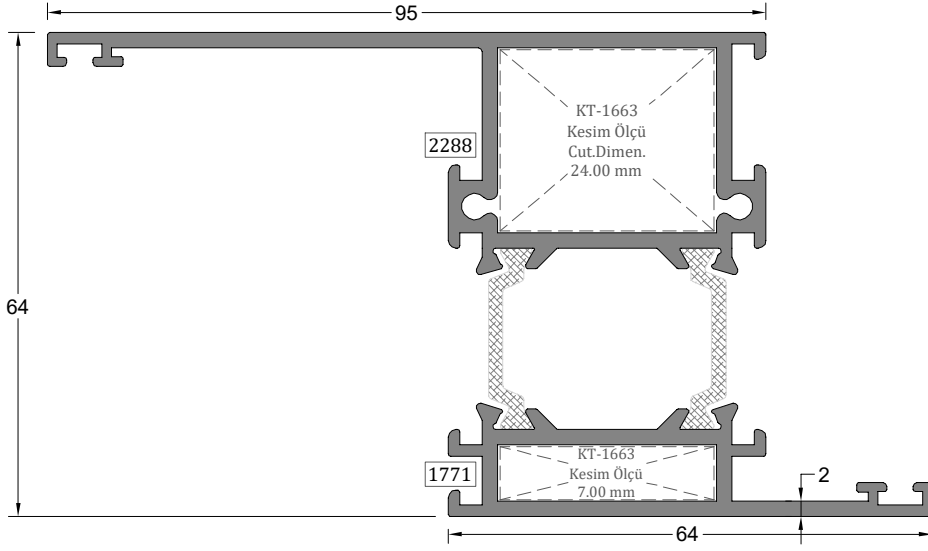
| Z Kasa Profili | Profil Kodu | (kg/mt) | Jx cm ⁴ | Jy cm ⁴ |
|-----------------|--------------|---------|--------------------|--------------------|
| Z FRAME PROFILE | Profile Code | Weight | | |
| | 64-5159-5153 | 1,784 | 35,92 | 27,92 |



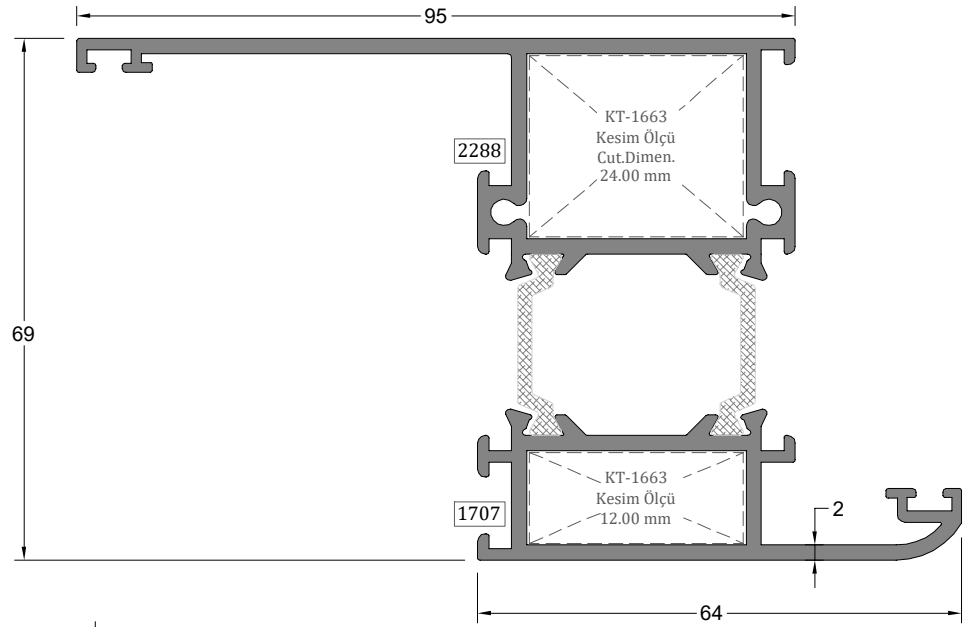
| Z Kasa Profili | Profil Kodu | (kg/mt) | Jx cm ⁴ | Jy cm ⁴ |
|-----------------|--------------|---------|--------------------|--------------------|
| Z FRAME PROFILE | Profile Code | Weight | | |
| | 64-5393-1705 | 1,811 | 38,28 | 25,99 |



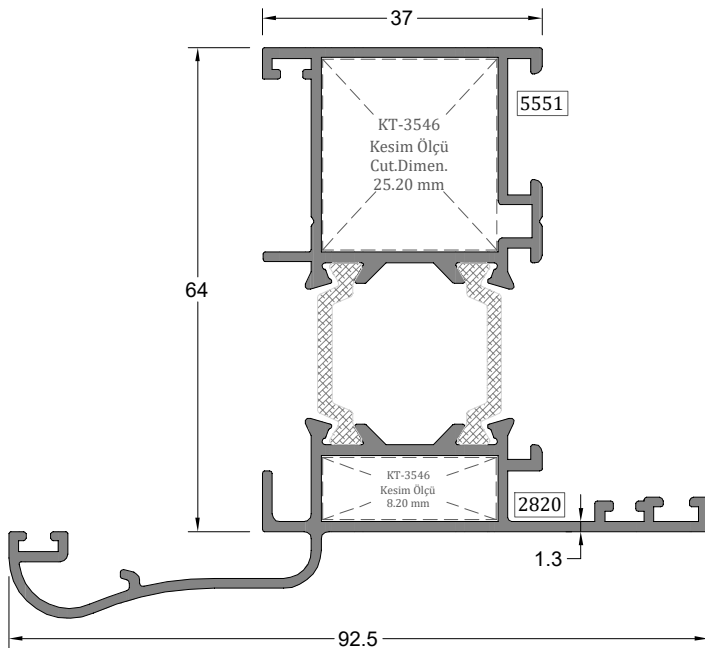
| Z Kasa Profili | Profil Kodu | (kg/mt) | Jx cm ⁴ | Jy cm ⁴ |
|-----------------|--------------|---------|--------------------|--------------------|
| Z FRAME PROFILE | Profile Code | Weight | | |
| | 64-5393-1769 | 1,730 | 32,38 | 23,43 |



| Z Kasa Profili | Profil Kodu | (kg/mt) | Jx cm ⁴ | Jy cm ⁴ |
|-----------------|--------------|---------|--------------------|--------------------|
| Z FRAME PROFILE | Profile Code | Weight | | |
| | 64-2288-1771 | 2,127 | 42,93 | 44,39 |

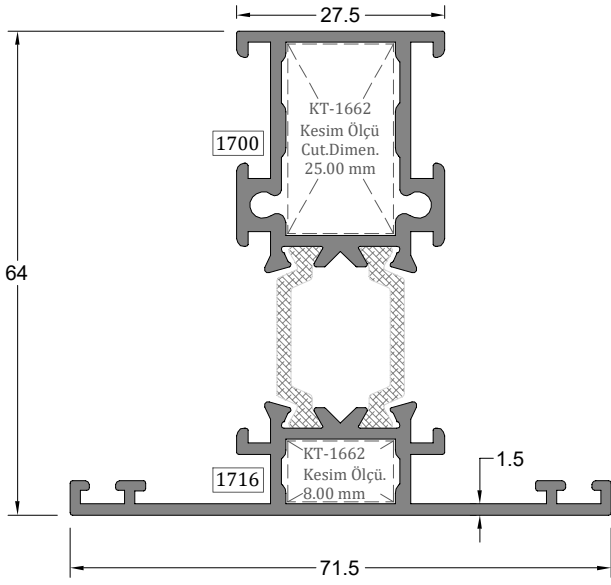


| Z Kasa Profili | Profil Kodu | (kg/mt) | Jx cm ⁴ | Jy cm ⁴ |
|-----------------|--------------|---------|--------------------|--------------------|
| Z FRAME PROFILE | Profile Code | Weight | | |
| | 64-2288-1707 | 2,235 | 51,22 | 48,24 |

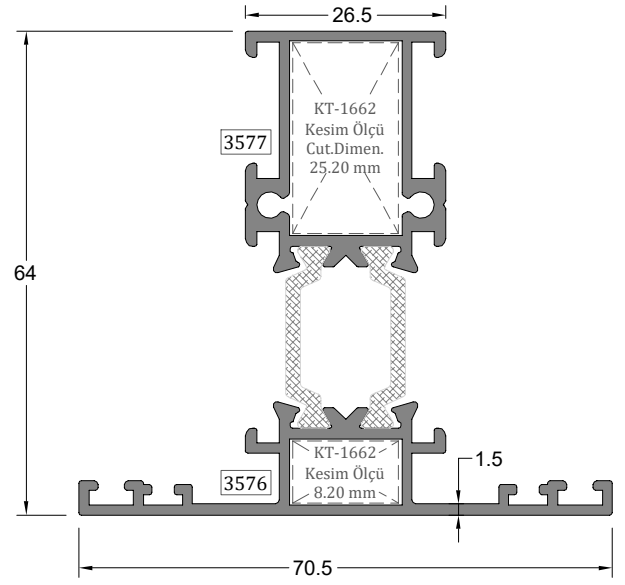


| Pervazlı Kasa Profili | Profil Kodu | (kg/mt) | Jx cm ⁴ | Jy cm ⁴ |
|-----------------------|--------------|---------|--------------------|--------------------|
| SILL FRAME PROFILE | Profile Code | Weight | | |
| | 64-2820-5551 | 1,554 | 30,39 | 21,47 |

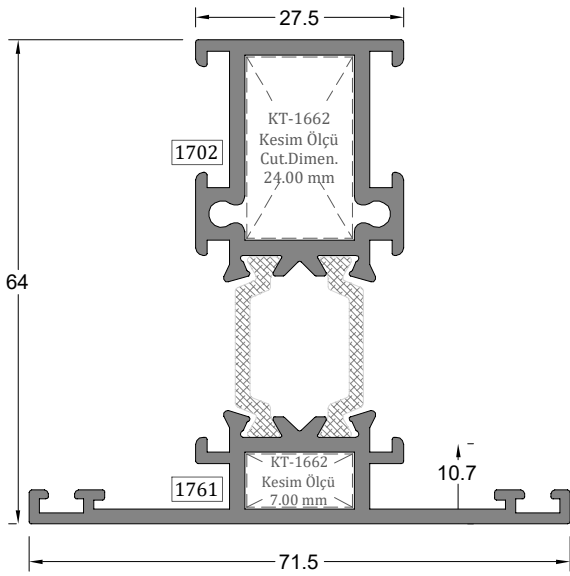
** Her profil için minimum sipariş 300 kg'dır.
 ** Minimum order quantity is 300 kg per profile.



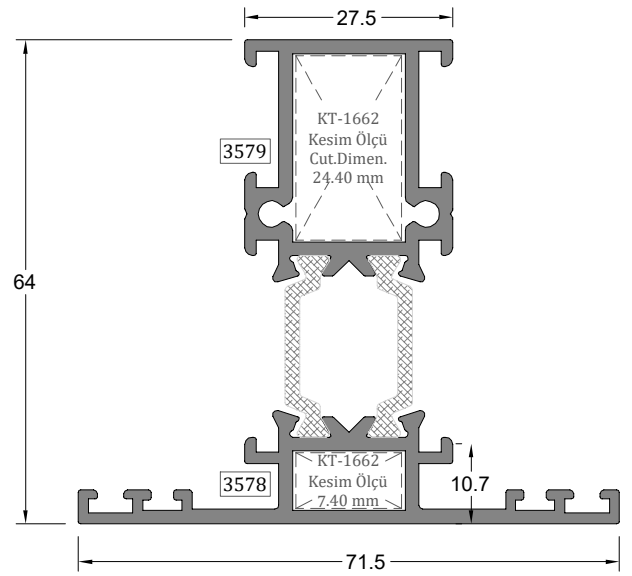
| Orta Kayıt Profili MULLION PROFILE | Profil Kodu Profile Code | (kg/mt) Weight | Jx cm ⁴ | Jy cm ⁴ |
|---------------------------------------|-----------------------------|-------------------|--------------------|--------------------|
| | 64-1700-1716 | 1,457 | 24,29 | 9,55 |



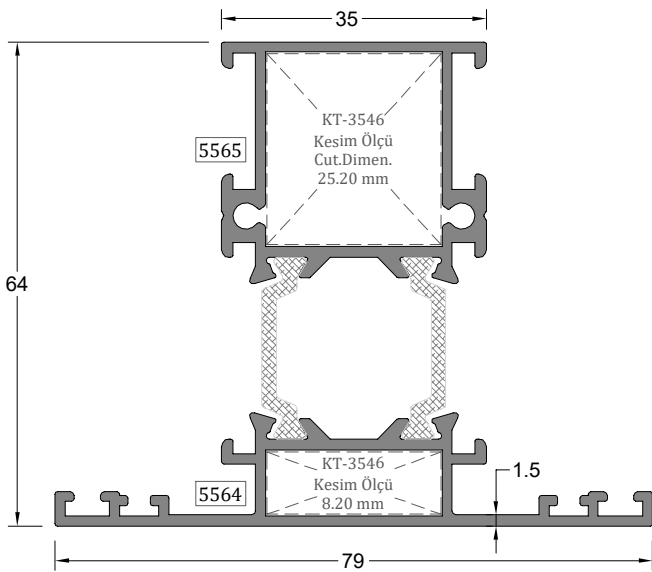
| Orta Kayıt Profili MULLION PROFILE | Profil Kodu Profile Code | (kg/mt) Weight | Jx cm ⁴ | Jy cm ⁴ |
|---------------------------------------|-----------------------------|-------------------|--------------------|--------------------|
| | 64-3577-3576 | 1,356 | 21,97 | 8,84 |



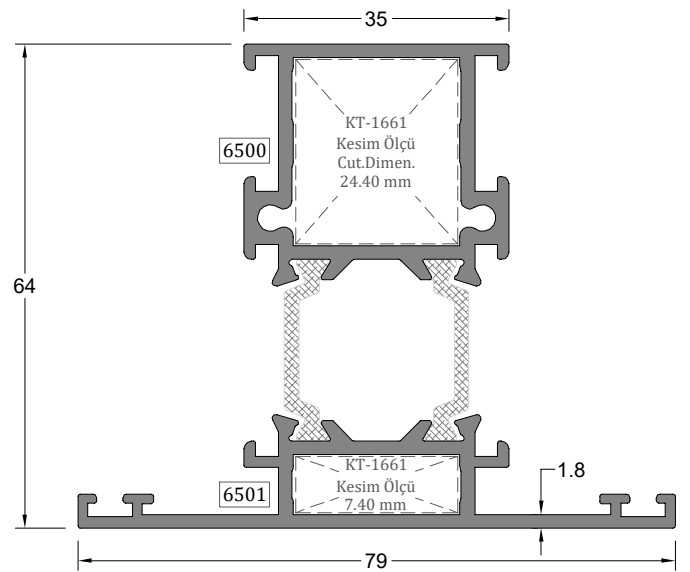
| Orta Kayıt Profili MULLION PROFILE | Profil Kodu Profile Code | (kg/mt) Weight | Jx cm ⁴ | Jy cm ⁴ |
|---------------------------------------|-----------------------------|-------------------|--------------------|--------------------|
| | 64-1702-1761 | 1,640 | 28,17 | 10,35 |



| Orta Kayıt Profili MULLION PROFILE | Profil Kodu Profile Code | (kg/mt) Weight | Jx cm ⁴ | Jy cm ⁴ |
|---------------------------------------|-----------------------------|-------------------|--------------------|--------------------|
| | 64-3579-3578 | 1,588 | 27,07 | 10,50 |

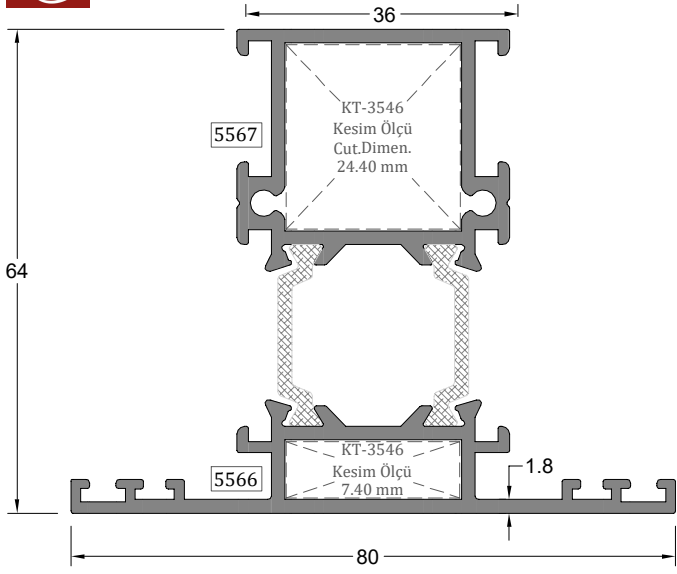


| Orta Kayıt Profili MULLION PROFILE | Profil Kodu Profile Code | (kg/mt) Weight | Jx cm ⁴ | Jy cm ⁴ |
|---------------------------------------|-----------------------------|-------------------|--------------------|--------------------|
| | 64-5565-5564 | 1,481 | 24,70 | 13,89 |

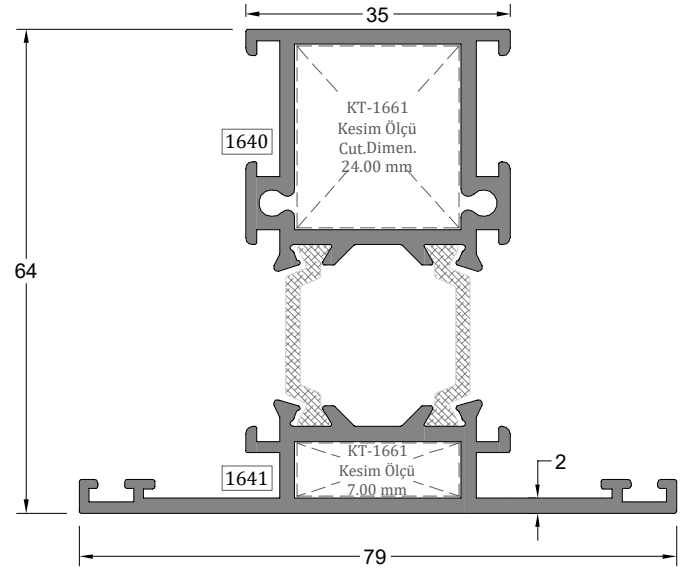


| Orta Kayıt Profili MULLION PROFILE | Profil Kodu Profile Code | (kg/mt) Weight | Jx cm ⁴ | Jy cm ⁴ |
|---------------------------------------|-----------------------------|-------------------|--------------------|--------------------|
| | 64-6500-6501 | 1,714 | 29,86 | 15,09 |

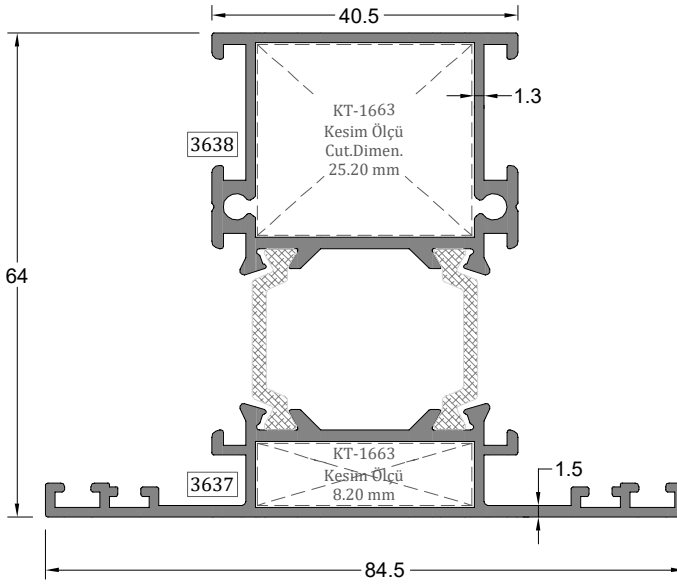
** Her profil için minimum sipariş 300 kg'dır.
 ** Minimum order quantity is 300 kg per profile.



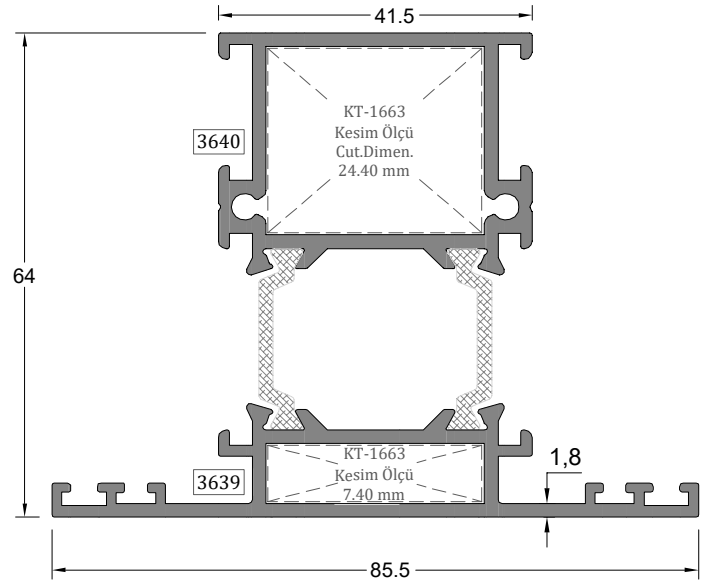
| Orta Kayıt Profili | Profil Kodu | (kg/mt) | Jx cm ⁴ | Jy cm ⁴ |
|--------------------|--------------|---------|--------------------|--------------------|
| MULLION PROFILE | Profile Code | Weight | | |
| | 64-5567-5566 | 1,733 | 30,44 | 16,38 |



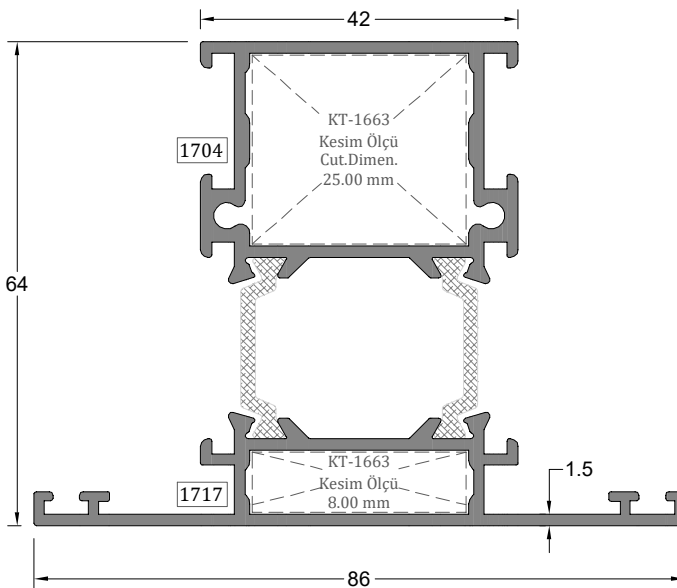
| Orta Kayıt Profili | Profil Kodu | (kg/mt) | Jx cm ⁴ | Jy cm ⁴ |
|--------------------|--------------|---------|--------------------|--------------------|
| MULLION PROFILE | Profile Code | Weight | | |
| | 64-1640-1641 | 1,805 | 31,75 | 15,65 |



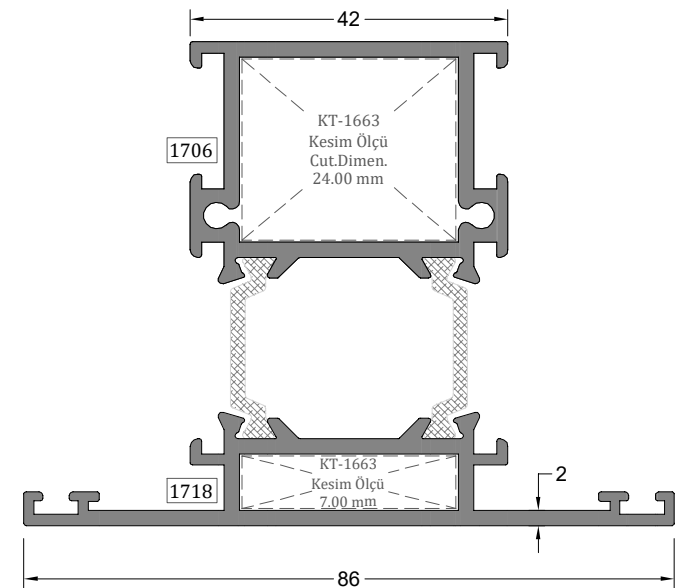
| Orta Kayıt Profili | Profil Kodu | (kg/mt) | Jx cm ⁴ | Jy cm ⁴ |
|--------------------|--------------|---------|--------------------|--------------------|
| MULLION PROFILE | Profile Code | Weight | | |
| | 64-3638-3637 | 1,576 | 26,44 | 18,08 |



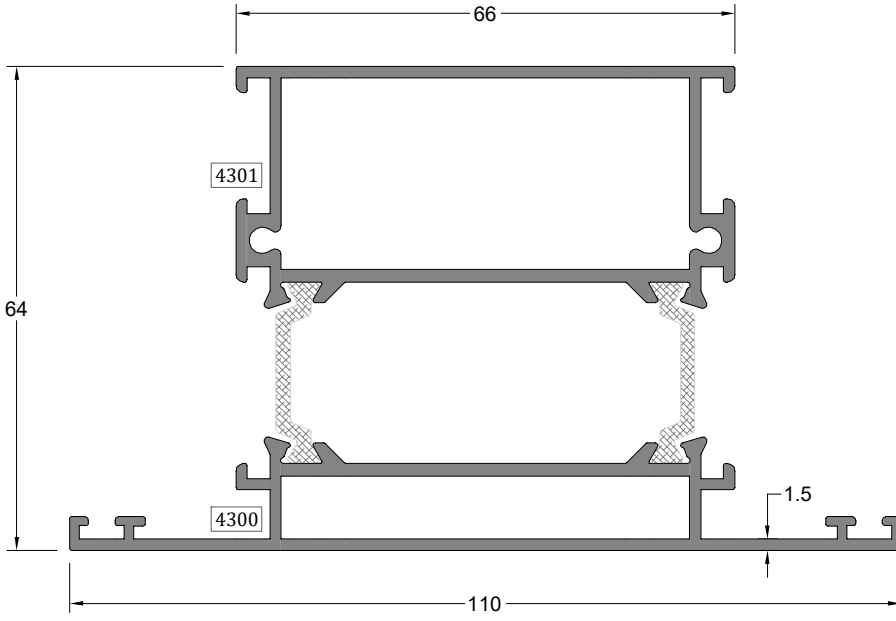
| Orta Kayıt Profili | Profil Kodu | (kg/mt) | Jx cm ⁴ | Jy cm ⁴ |
|--------------------|--------------|---------|--------------------|--------------------|
| MULLION PROFILE | Profile Code | Weight | | |
| | 64-3640-3639 | 1,852 | 32,77 | 21,34 |



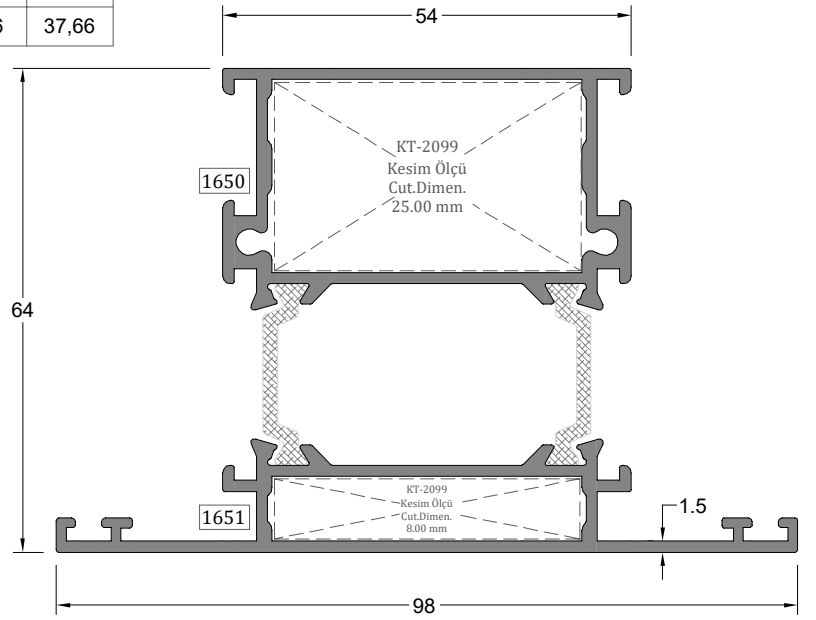
| Orta Kayıt Profili | Profil Kodu | (kg/mt) | Jx cm ⁴ | Jy cm ⁴ |
|--------------------|--------------|---------|--------------------|--------------------|
| MULLION PROFILE | Profile Code | Weight | | |
| | 64-1704-1717 | 1,695 | 29,44 | 20,01 |



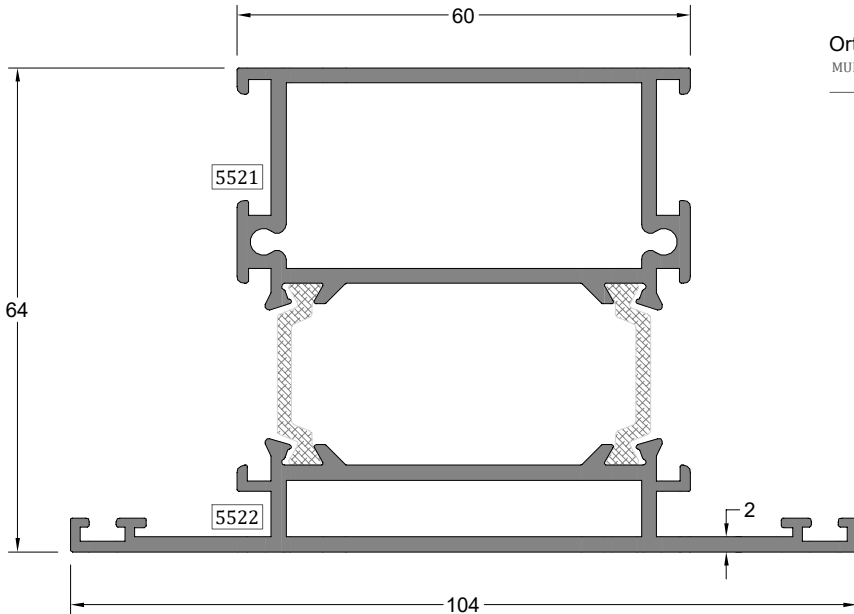
| Orta Kayıt Profili | Profil Kodu | (kg/mt) | Jx cm ⁴ | Jy cm ⁴ |
|--------------------|--------------|---------|--------------------|--------------------|
| MULLION PROFILE | Profile Code | Weight | | |
| | 64-1706-1718 | 1,958 | 35,03 | 22,09 |



| Orta Kayıt Profili MULLION PROFILE | Profil Kodu Profile Code | (kg/mt) Weight | Jx cm ⁴ | Jy cm ⁴ |
|---------------------------------------|-----------------------------|-------------------|--------------------|--------------------|
| | 64-4301-4300 | 2,111 | 50,36 | 37,66 |

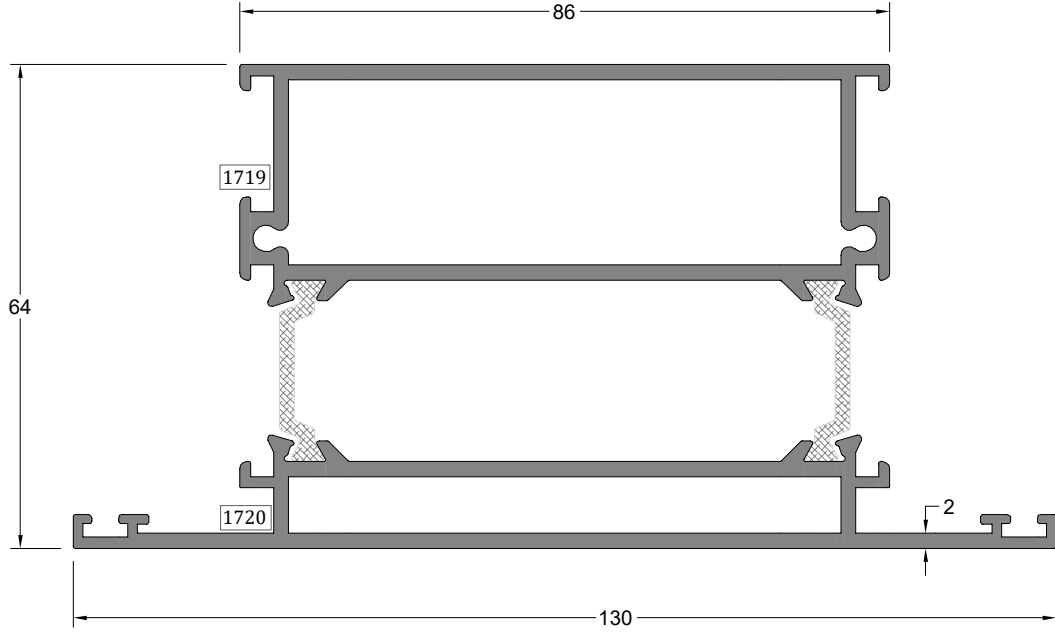


| Orta Kayıt Profili MULLION PROFILE | Profil Kodu Profile Code | (kg/mt) Weight | Jx cm ⁴ | Jy cm ⁴ |
|---------------------------------------|-----------------------------|-------------------|--------------------|--------------------|
| | 64-1650-1651 | 1,865 | 33,68 | 33,08 |

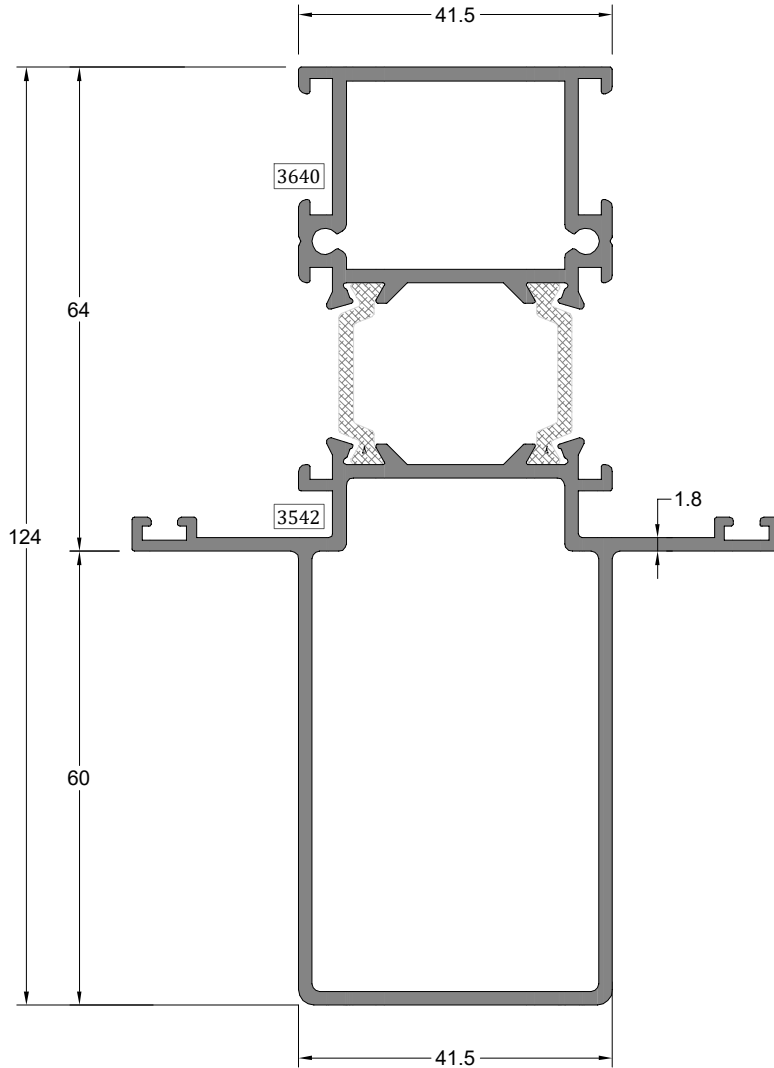


| Orta Kayıt Profili MULLION PROFILE | Profil Kodu Profile Code | (kg/mt) Weight | Jx cm ⁴ | Jy cm ⁴ |
|---------------------------------------|-----------------------------|-------------------|--------------------|--------------------|
| | 64-5521-5522 | 2,342 | 43,31 | 45,92 |

** Her profil için minimum sipariş 300 kg'dır.
 ** Minimum order quantity is 300 kg per profile.

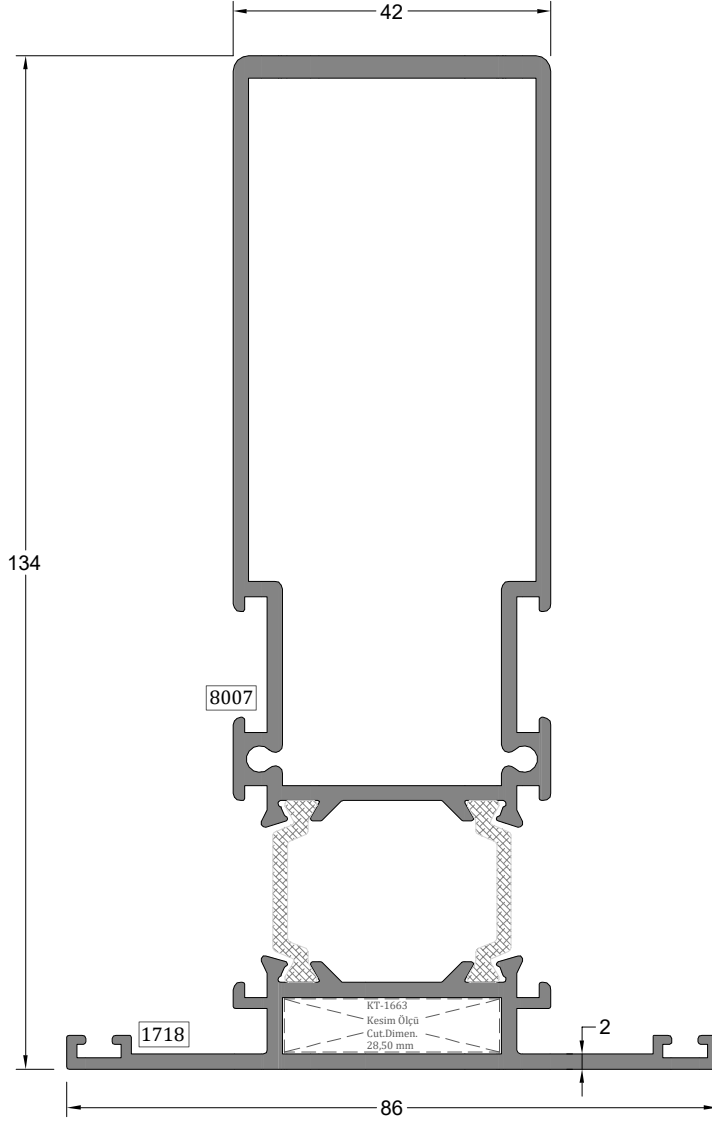


| Orta Kayıt Profili MULLION PROFILE | Profil Kodu Profile Code | (kg/mt) Weight | Jx cm ⁴ | Jy cm ⁴ |
|---------------------------------------|-----------------------------|-------------------|--------------------|--------------------|
| | 64-1719-1720 | 2,893 | 104,75 | 55,58 |

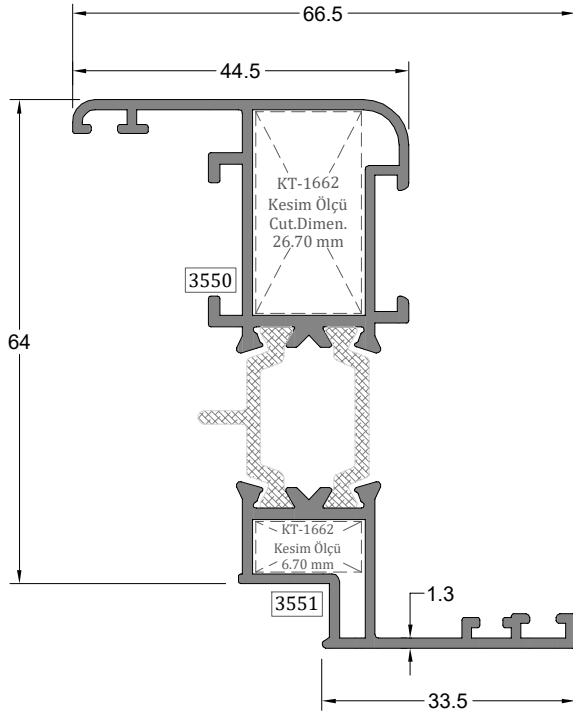


| Takviyeli Orta Kayıt Profili REINFORCED MULLION PROFILE | Profil Kodu Profile Code | (kg/mt) Weight | Jx cm ⁴ | Jy cm ⁴ |
|--|-----------------------------|-------------------|--------------------|--------------------|
| | 64-3640-3542 | 2,446 | 119,69 | 29,17 |

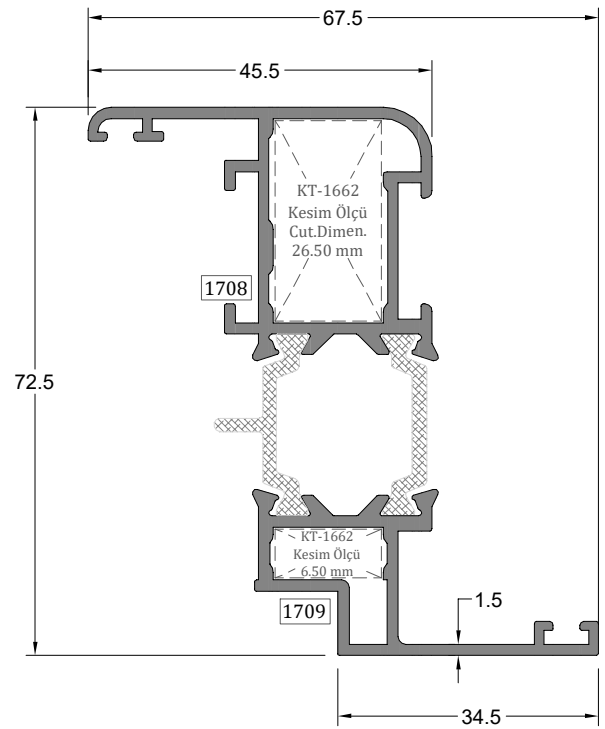
** Her profil için minimum sipariş 300 kg'dır.
 ** Minimum order quantity is 300 kg per profile.



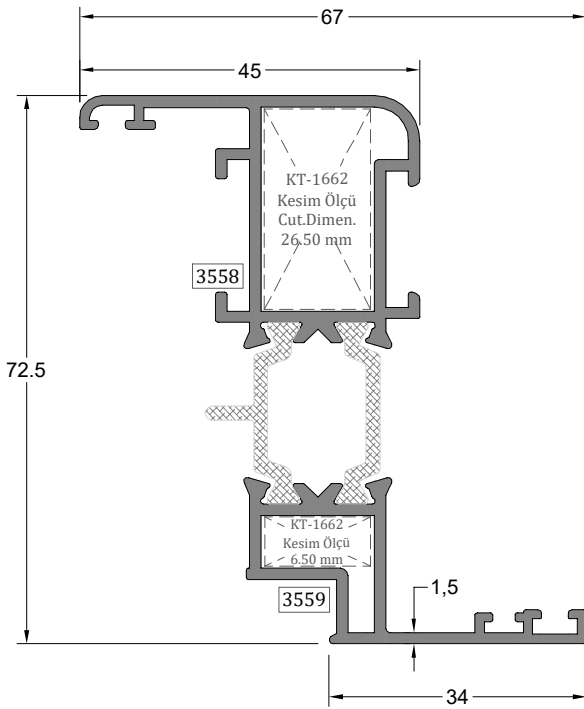
| Takviyeli Orta Kayıt Profili REINFORCED MULLION PROFILE | Profil Kodu Profile Code | (kg/mt) Weight | Jx cm ⁴ | Jy cm ⁴ |
|--|-----------------------------|-------------------|--------------------|--------------------|
| | 64-1718-8007 | 2,786 | 233,34 | 36,11 |



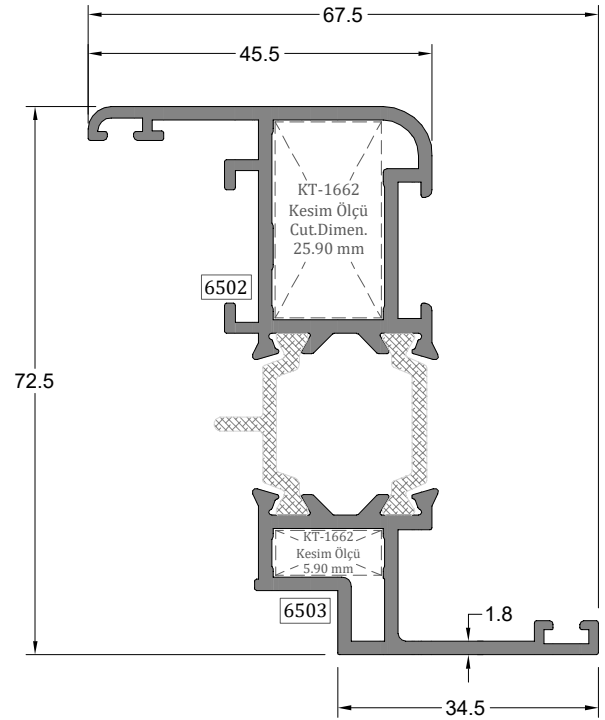
| Kanat Profili | Profil Kodu | (kg/mt) | Jx cm ⁴ | Jy cm ⁴ |
|---------------|--------------|---------|--------------------|--------------------|
| SASH PROFILE | Profile Code | Weight | | |
| | 64-3550-3551 | 1,290 | 26,69 | 7,00 |



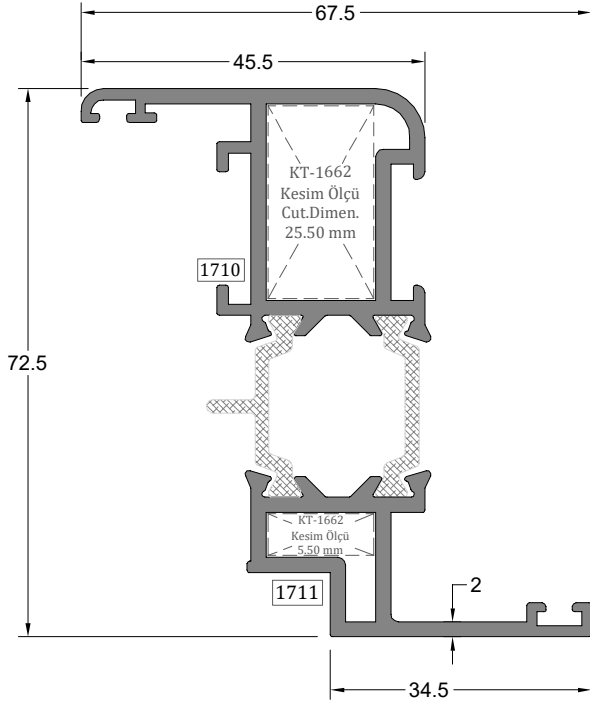
| Kanat Profili | Profil Kodu | (kg/mt) | Jx cm ⁴ | Jy cm ⁴ |
|---------------|--------------|---------|--------------------|--------------------|
| SASH PROFILE | Profile Code | Weight | | |
| | 64-1708-1709 | 1,422 | 29,91 | 8,00 |



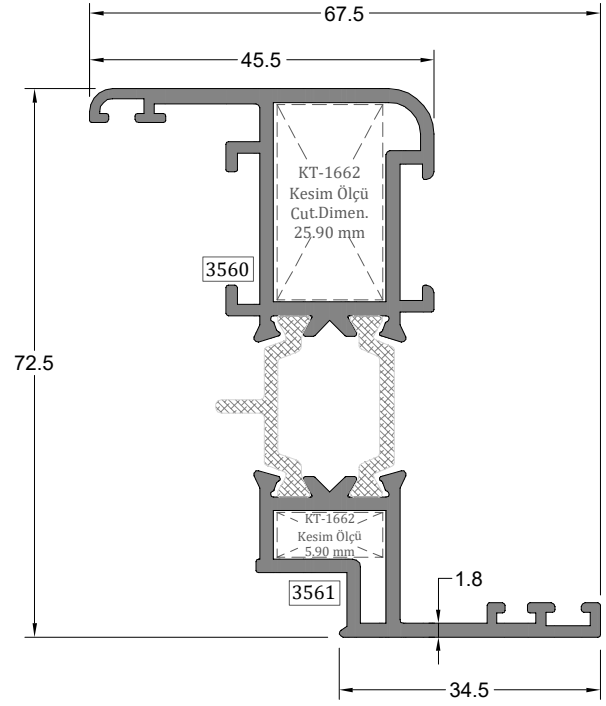
| Kanat Profili | Profil Kodu | (kg/mt) | Jx cm ⁴ | Jy cm ⁴ |
|---------------|--------------|---------|--------------------|--------------------|
| SASH PROFILE | Profile Code | Weight | | |
| | 64-3558-3559 | 1,375 | 29,46 | 7,51 |



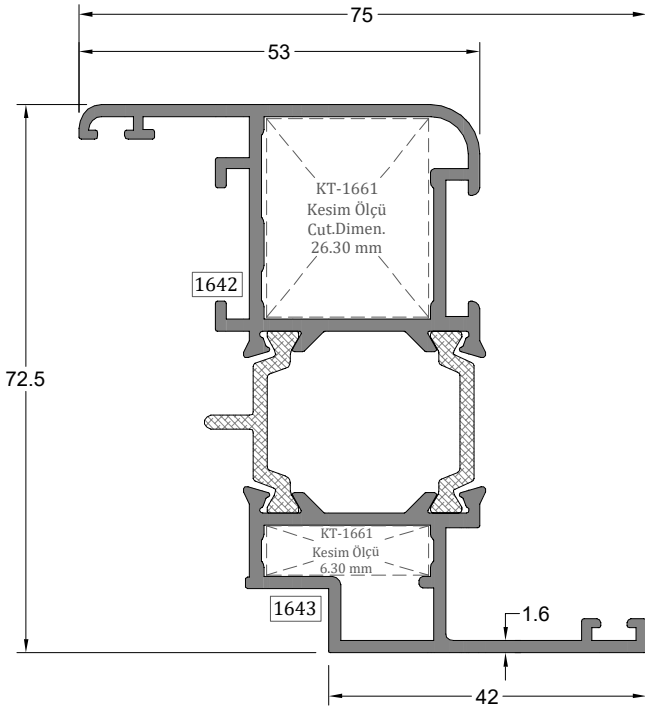
| Kanat Profili | Profil Kodu | (kg/mt) | Jx cm ⁴ | Jy cm ⁴ |
|---------------|--------------|---------|--------------------|--------------------|
| SASH PROFILE | Profile Code | Weight | | |
| | 64-6502-6503 | 1,572 | 33,64 | 8,47 |



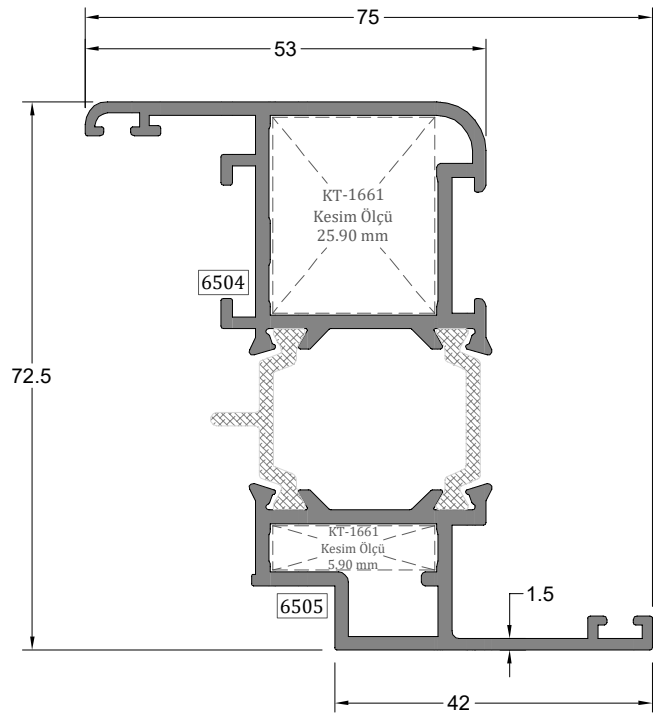
| Kanat Profili | Profil Kodu | (kg/mt) | Jx cm ⁴ | Jy cm ⁴ |
|---------------|--------------|---------|--------------------|--------------------|
| SASH PROFILE | Profile Code | Weight | | |
| | 64-1710-1711 | 1,646 | 36,05 | 8,77 |



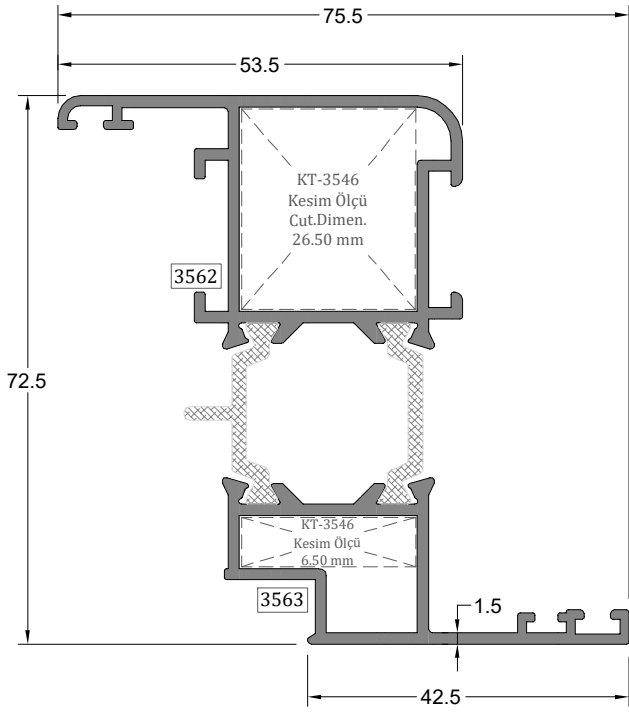
| Kanat Profili | Profil Kodu | (kg/mt) | Jx cm ⁴ | Jy cm ⁴ |
|---------------|--------------|---------|--------------------|--------------------|
| SASH PROFILE | Profile Code | Weight | | |
| | 64-3560-3561 | 1,550 | 34,09 | 8,46 |



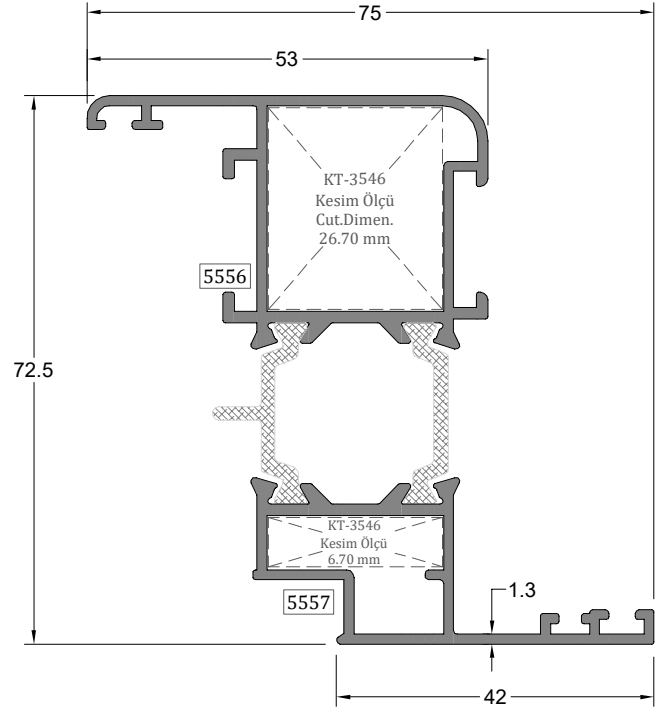
| Kanat Profili | Profil Kodu | (kg/mt) | Jx cm ⁴ | Jy cm ⁴ |
|---------------|--------------|---------|--------------------|--------------------|
| SASH PROFILE | Profile Code | Weight | | |
| | 64-1642-1643 | 1,613 | 35,05 | 12,74 |



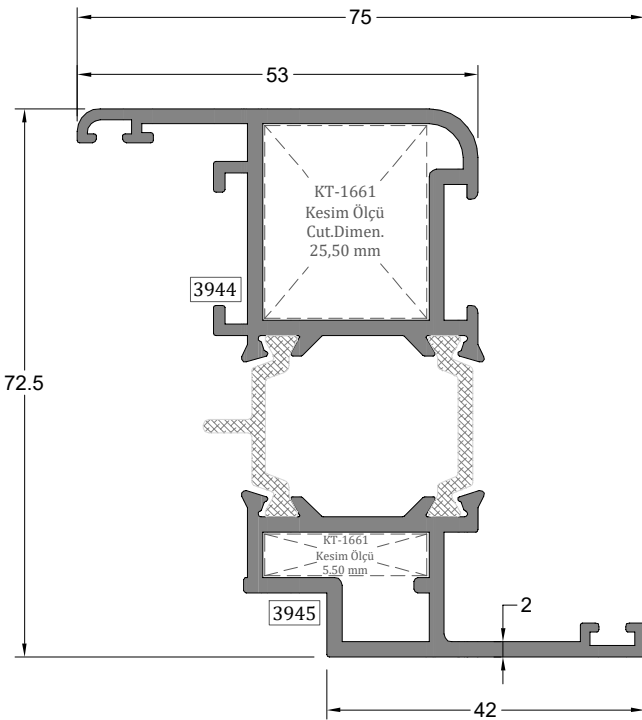
| Kanat Profili | Profil Kodu | (kg/mt) | Jx cm ⁴ | Jy cm ⁴ |
|---------------|--------------|---------|--------------------|--------------------|
| SASH PROFILE | Profile Code | Weight | | |
| | 64-6504-6505 | 1,700 | 37,20 | 12,90 |



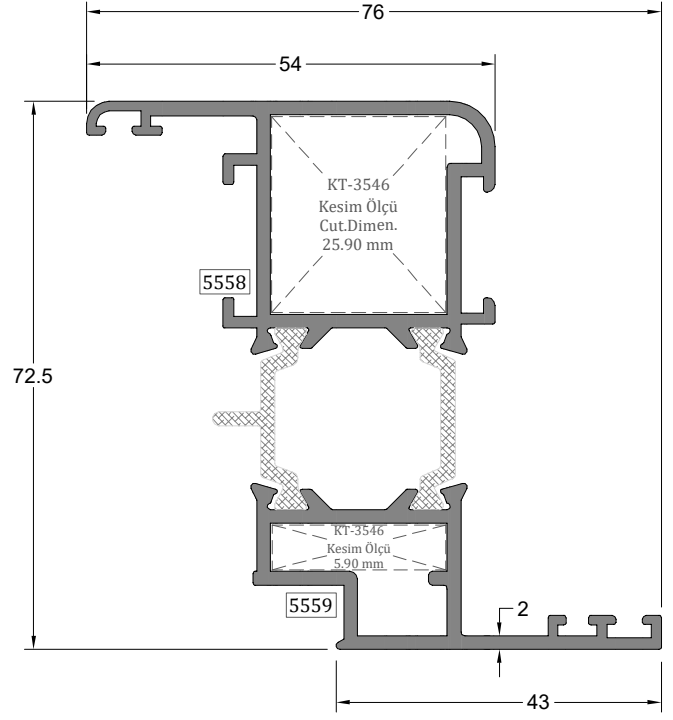
| Kanat Profili | Profil Kodu | (kg/mt) | Jx cm ⁴ | Jy cm ⁴ |
|---------------|--------------|---------|--------------------|--------------------|
| SASH PROFILE | Profile Code | Weight | | |
| | 64-3562-3563 | 1,514 | 33,23 | 12,11 |



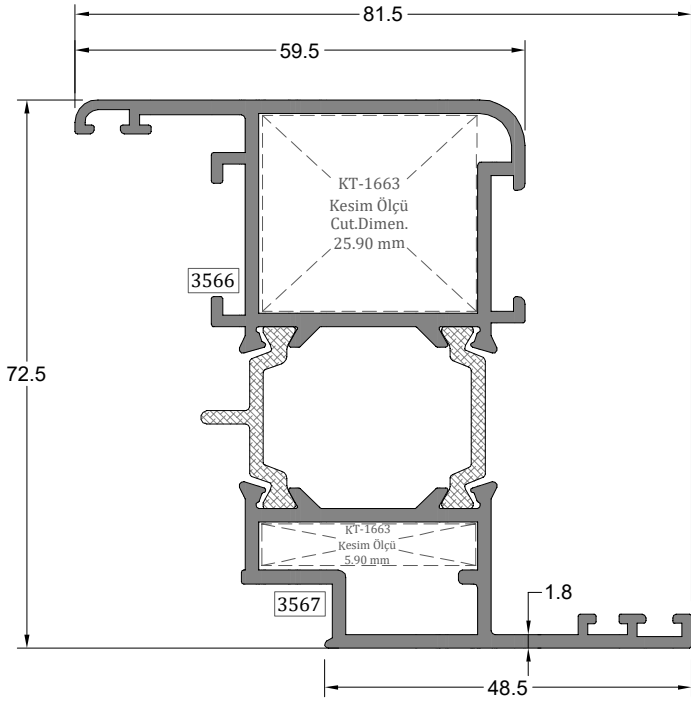
| Kanat Profili | Profil Kodu | (kg/mt) | Jx cm ⁴ | Jy cm ⁴ |
|---------------|--------------|---------|--------------------|--------------------|
| SASH PROFILE | Profile Code | Weight | | |
| | 64-5556-5557 | 1,423 | 30,29 | 11,27 |



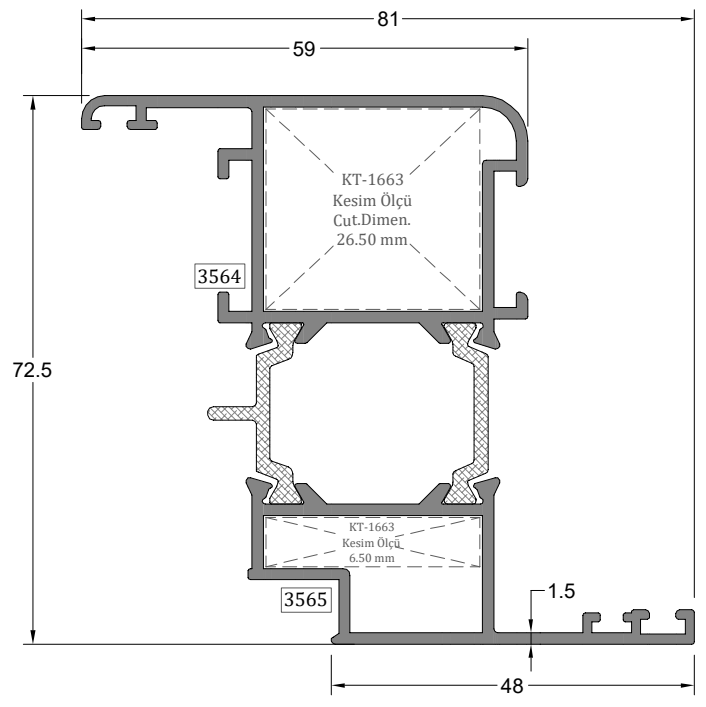
| Kanat Profili | Profil Kodu | (kg/mt) | Jx cm ⁴ | Jy cm ⁴ |
|---------------|--------------|---------|--------------------|--------------------|
| SASH PROFILE | Profile Code | Weight | | |
| | 64-3944-3945 | 1,823 | 40,73 | 13,68 |



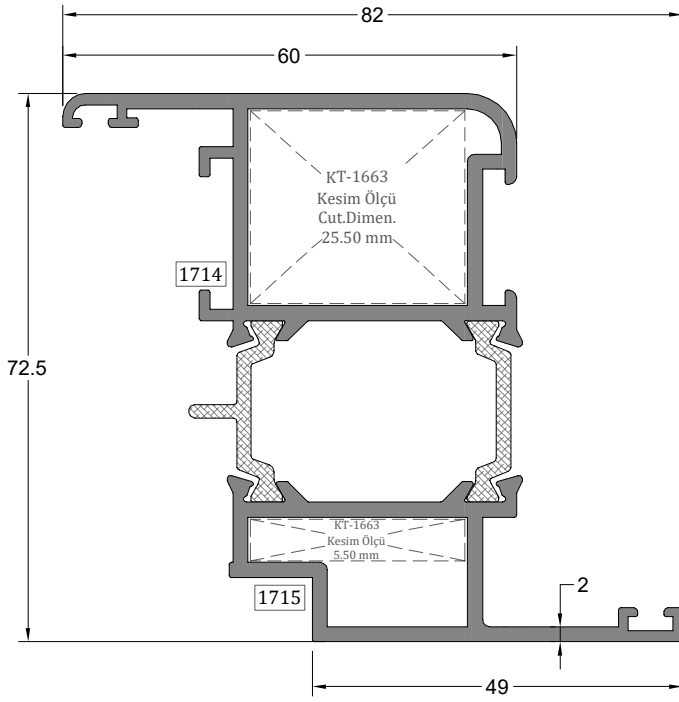
| Kanat Profili | Profil Kodu | (kg/mt) | Jx cm ⁴ | Jy cm ⁴ |
|---------------|--------------|---------|--------------------|--------------------|
| SASH PROFILE | Profile Code | Weight | | |
| | 64-5558-5559 | 1,723 | 38,90 | 13,76 |



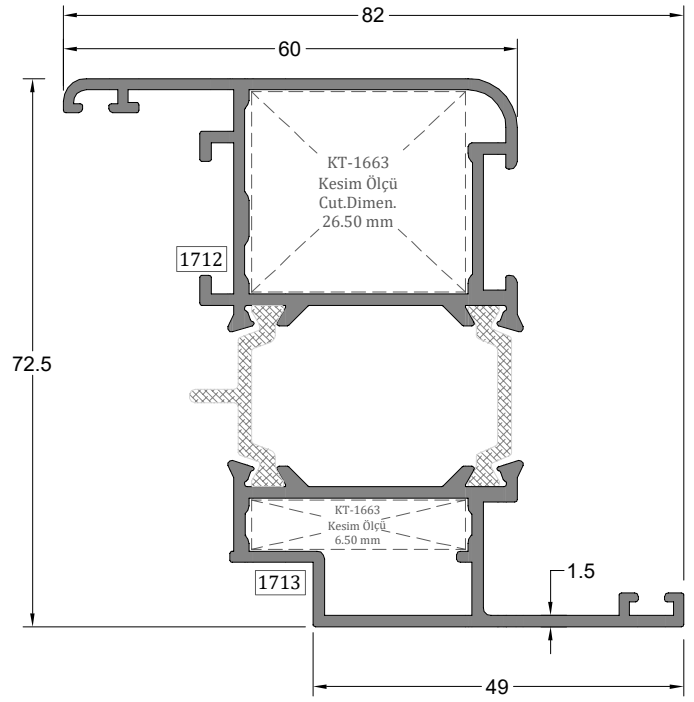
| Kanat Profili | Profil Kodu Profile Code | (kg/mt) Weight | Jx cm ⁴ | Jy cm ⁴ |
|---------------|-----------------------------|-------------------|--------------------|--------------------|
| SASH PROFILE | 64-3566-3567 | 1,830 | 41,78 | 18,25 |



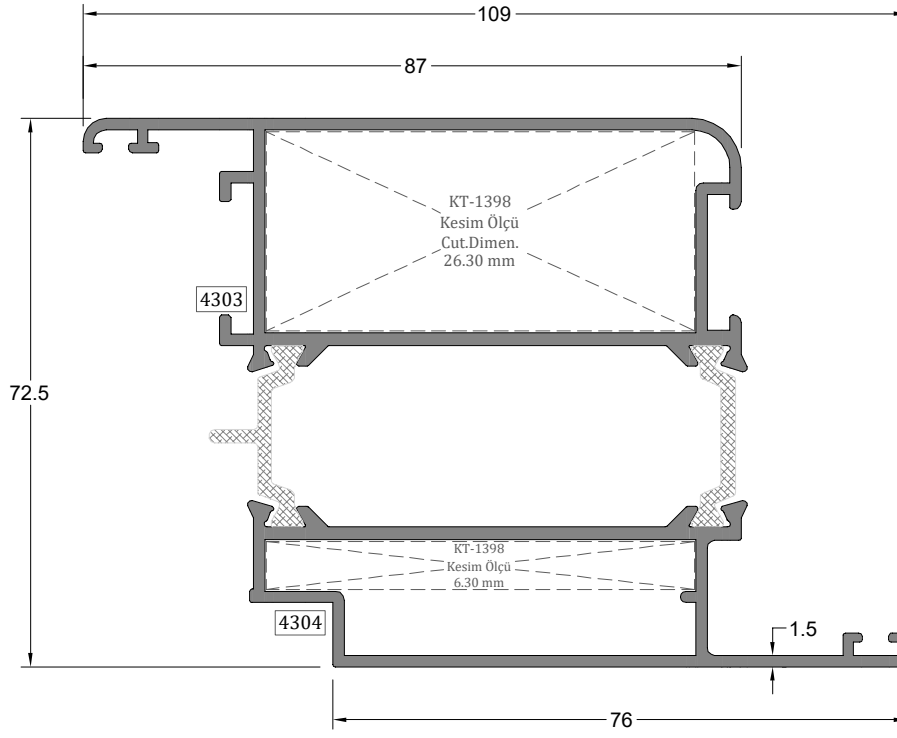
| Kanat Profili | Profil Kodu Profile Code | (kg/mt) Weight | Jx cm ⁴ | Jy cm ⁴ |
|---------------|-----------------------------|-------------------|--------------------|--------------------|
| SASH PROFILE | 64-3564-3565 | 1,608 | 35,65 | 16,02 |



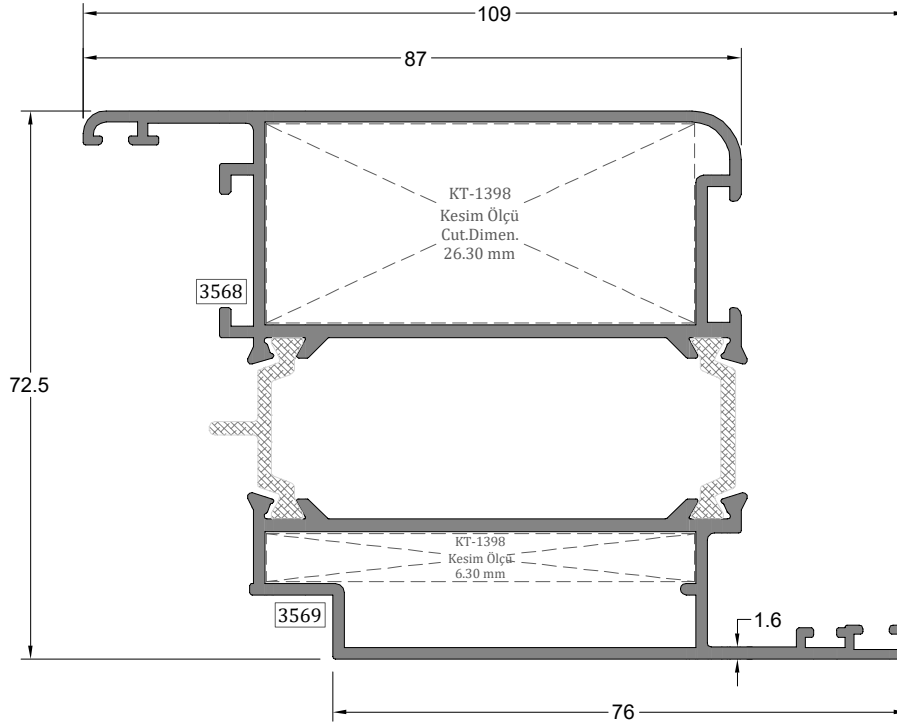
| Kanat Profili | Profil Kodu Profile Code | (kg/mt) Weight | Jx cm ⁴ | Jy cm ⁴ |
|---------------|-----------------------------|-------------------|--------------------|--------------------|
| SASH PROFILE | 64-1714-1715 | 1,961 | 44,50 | 19,70 |



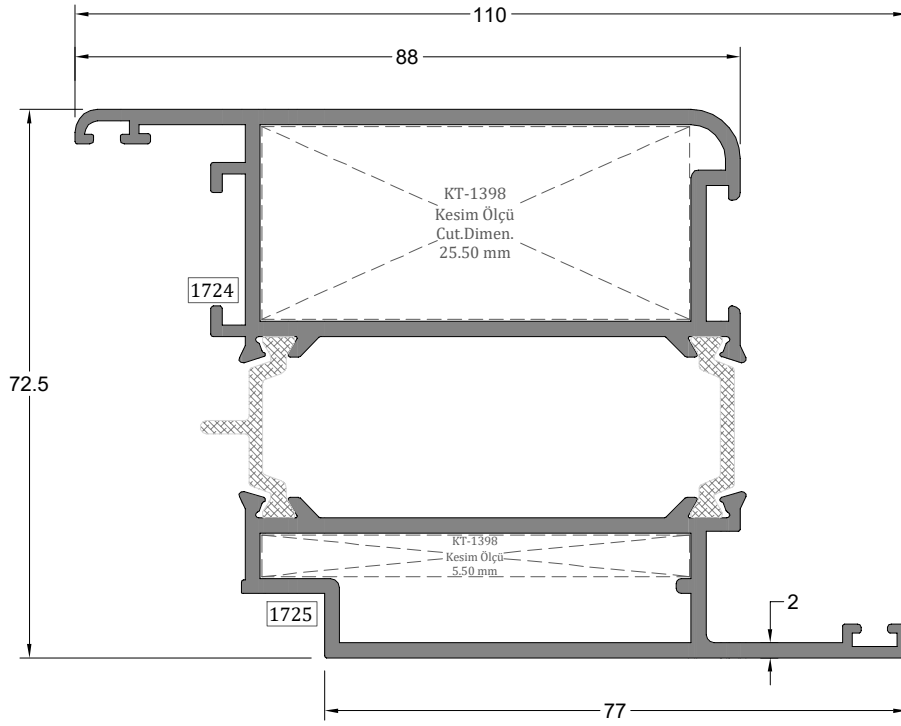
| Kanat Profili | Profil Kodu Profile Code | (kg/mt) Weight | Jx cm ⁴ | Jy cm ⁴ |
|---------------|-----------------------------|-------------------|--------------------|--------------------|
| SASH PROFILE | 64-1712-1713 | 1,666 | 36,49 | 17,56 |



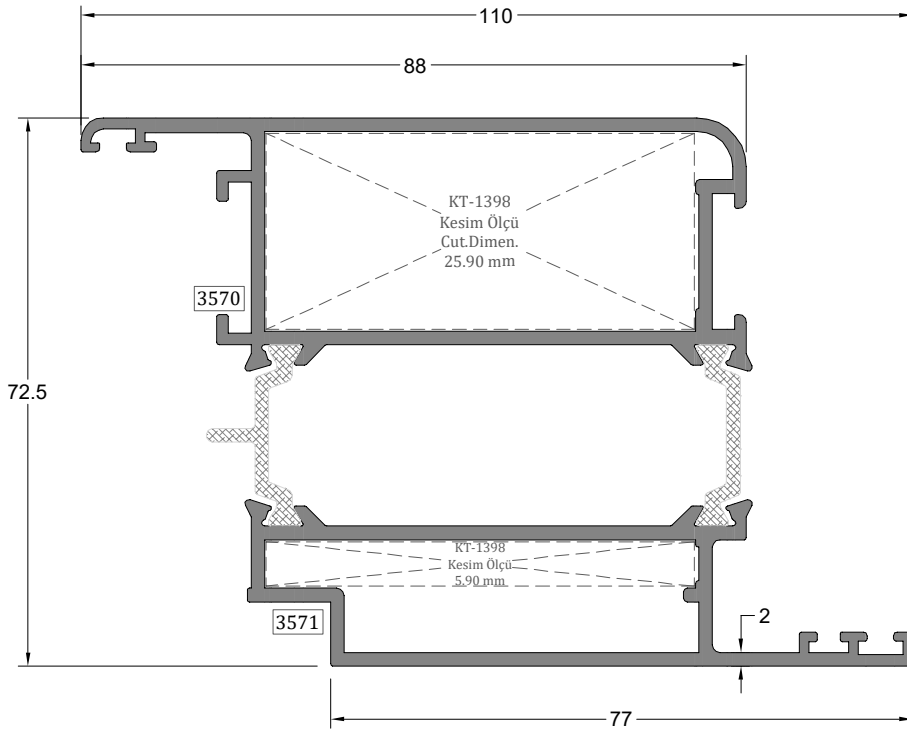
| Kanat Profili | Profil Kodu | (kg/mt) | Jx cm ⁴ | Jy cm ⁴ |
|---------------|--------------|---------|--------------------|--------------------|
| SASH PROFILE | Profile Code | Weight | | |
| | 64-4303-4304 | 2,143 | 48,33 | 51,09 |



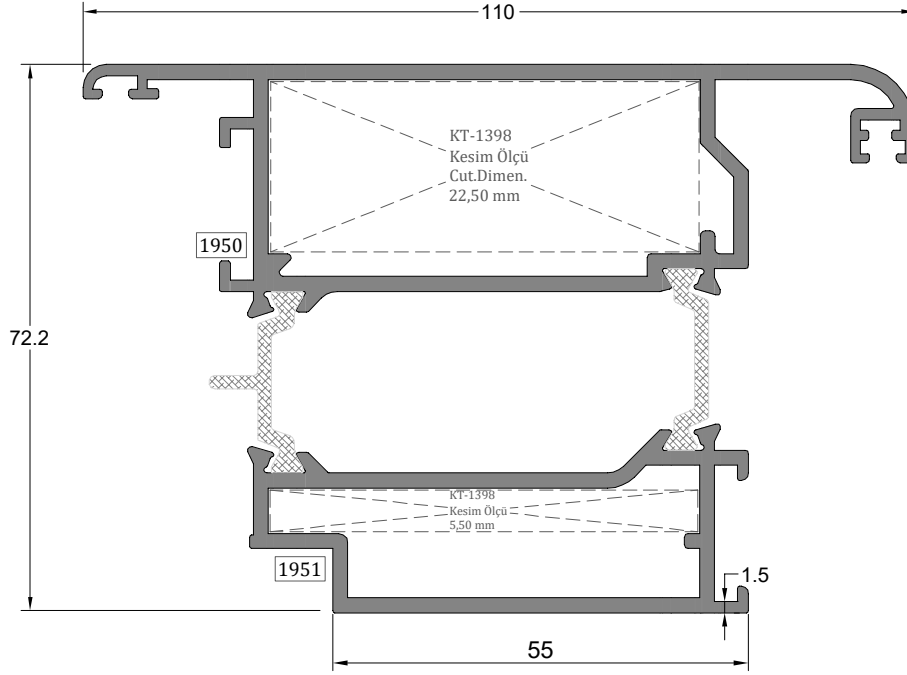
| Kanat Profili | Profil Kodu | (kg/mt) | Jx cm ⁴ | Jy cm ⁴ |
|---------------|--------------|---------|--------------------|--------------------|
| SASH PROFILE | Profile Code | Weight | | |
| | 64-3568-3569 | 2,158 | 49,02 | 51,97 |



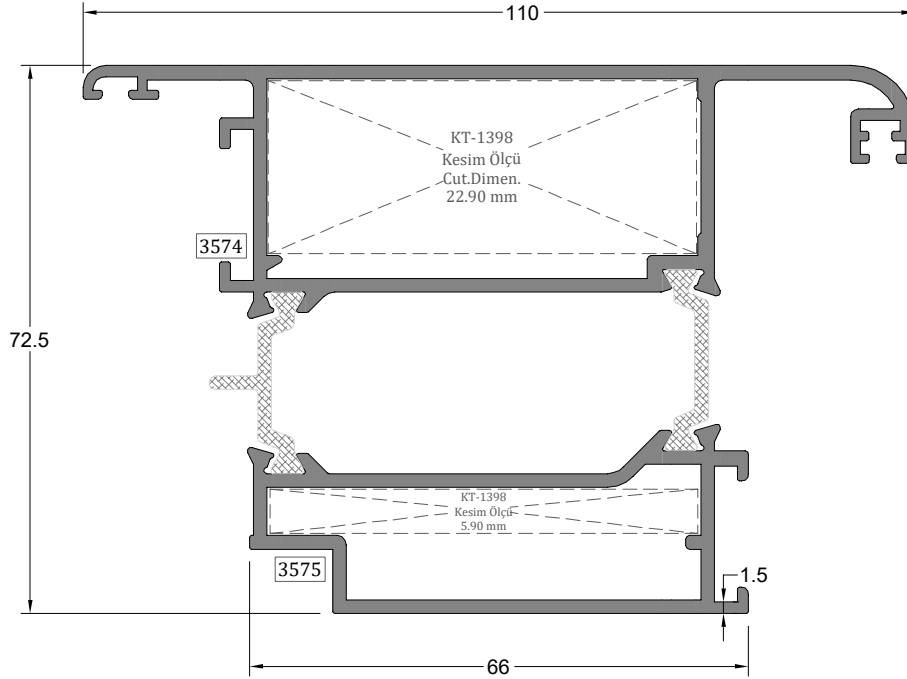
| Kanat Profili | Profil Kodu | (kg/mt) | Jx cm ⁴ | Jy cm ⁴ |
|---------------|--------------|---------|--------------------|--------------------|
| SASH PROFILE | Profile Code | Weight | | |
| | 64-1724-1725 | 2,578 | 60,89 | 61,37 |



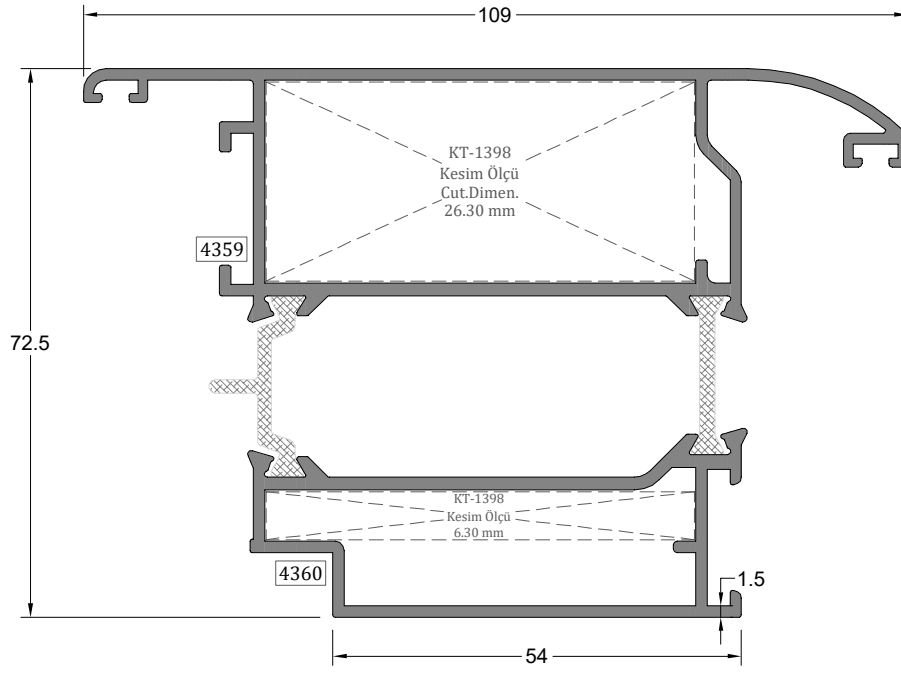
| Kanat Profili | Profil Kodu | (kg/mt) | Jx cm ⁴ | Jy cm ⁴ |
|---------------|--------------|---------|--------------------|--------------------|
| SASH PROFILE | Profile Code | Weight | | |
| | 64-3570-3571 | 2,420 | 57,06 | 59,55 |



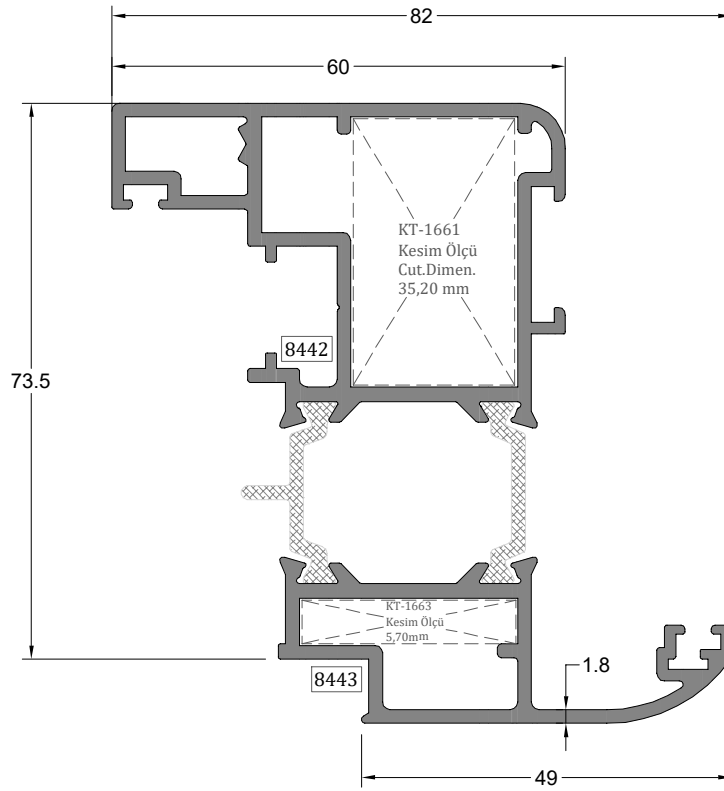
| Dışa Açılır Kanat Profili OUTWARD OPENING SASH PROFILE | Profil Kodu Profile Code | (kg/mt) Weight | Jx cm ⁴ | Jy cm ⁴ |
|---|-----------------------------|-------------------|--------------------|--------------------|
| | 64-1950-1951 | 2,626 | 61,49 | 69,53 |



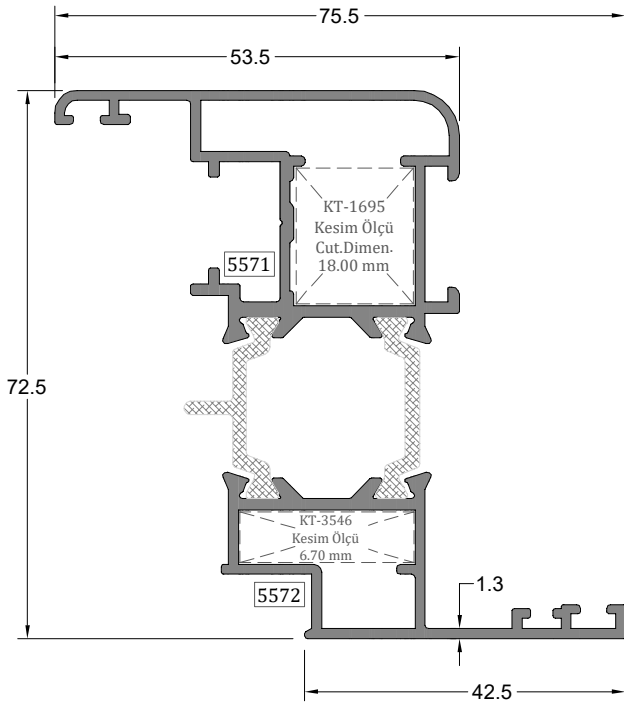
| Dışa Açılır Kanat Profili OUTWARD OPENING SASH PROFILE | Profil Kodu Profile Code | (kg/mt) Weight | Jx cm ⁴ | Jy cm ⁴ |
|---|-----------------------------|-------------------|--------------------|--------------------|
| | 64-3574-3575 | 2,469 | 57,10 | 64,57 |



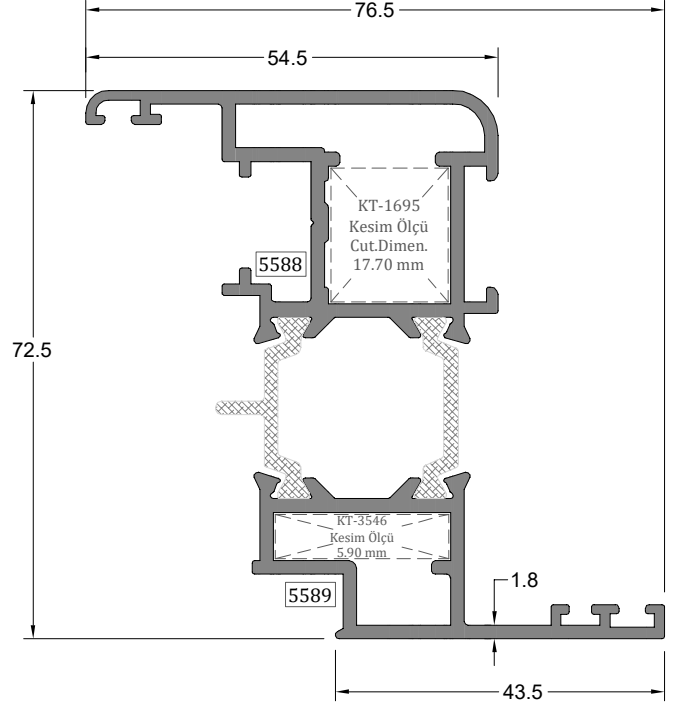
| Dışa Açılır Kanat Profili | Profil Kodu | (kg/mt) | Jx cm ⁴ | Jy cm ⁴ |
|------------------------------|--------------|---------|--------------------|--------------------|
| OUTWARD OPENING SASH PROFILE | Profile Code | Weight | | |
| | 64-4359-4360 | 2,205 | 47,74 | 55,17 |



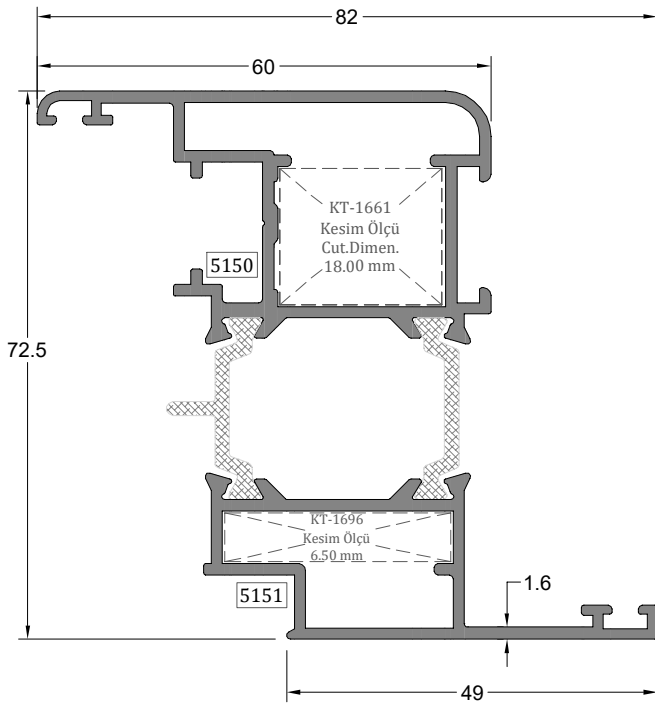
| Pvc Kanallı Kanat Profili | Profil Kodu | (kg/mt) | Jx cm ⁴ | Jy cm ⁴ |
|---------------------------|--------------|---------|--------------------|--------------------|
| PVC GROOVE SASH PROFILE | Profile Code | Weight | | |
| | 64-8442-8443 | 2,232 | 76,31 | 38,42 |



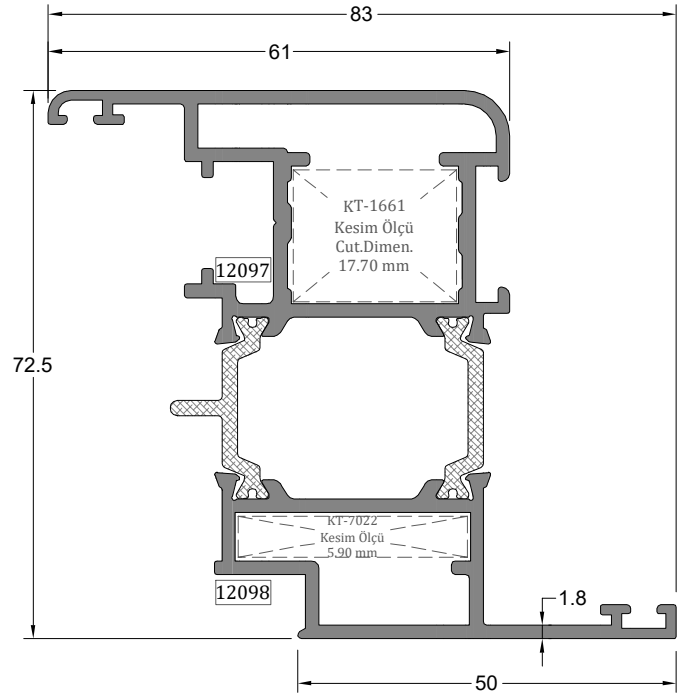
| Pvc Kanallı Kanat Profili | Profil Kodu Profile Code | (kg/mt) Weight | Jx cm ⁴ | Jy cm ⁴ |
|---------------------------|-----------------------------|-------------------|--------------------|--------------------|
| PVC GROOVED SASH PROFILE | 64-5571-5572 | 1,493 | 31,59 | 11,41 |



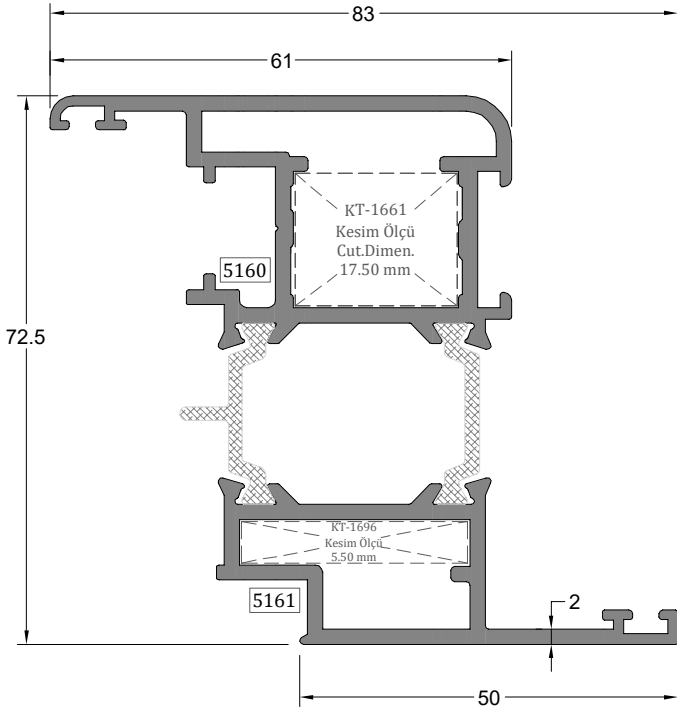
| Pvc Kanallı Kanat Profili | Profil Kodu Profile Code | (kg/mt) Weight | Jx cm ⁴ | Jy cm ⁴ |
|---------------------------|-----------------------------|-------------------|--------------------|--------------------|
| PVC GROOVED SASH PROFILE | 64-5588-5589 | 1,803 | 40,51 | 13,78 |



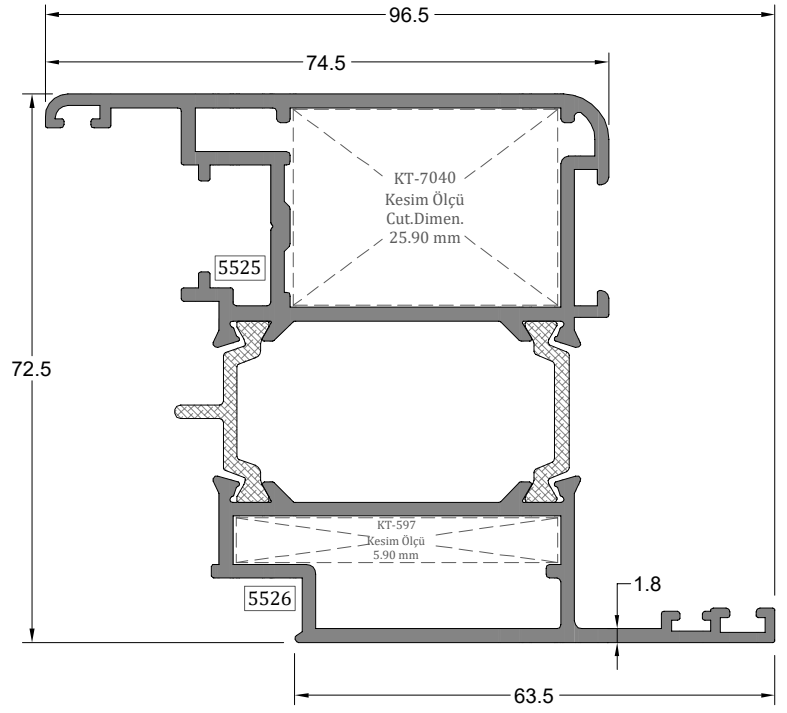
| Pvc Kanallı Kanat Profili | Profil Kodu Profile Code | (kg/mt) Weight | Jx cm ⁴ | Jy cm ⁴ |
|---------------------------|-----------------------------|-------------------|--------------------|--------------------|
| PVC GROOVED SASH PROFILE | 64-5150-5151 | 1,704 | 37,65 | 16,91 |



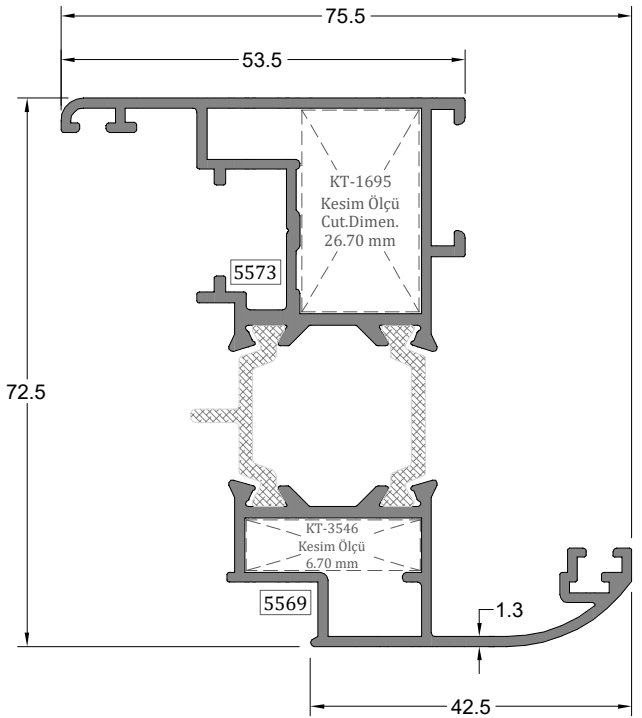
| Pvc Kanallı Kanat Profili | Profil Kodu Profile Code | (kg/mt) Weight | Jx cm ⁴ | Jy cm ⁴ |
|---------------------------|-----------------------------|-------------------|--------------------|--------------------|
| PVC GROOVED SASH PROFILE | 64-12097-12098 | 1,948 | 63,02 | 25,06 |



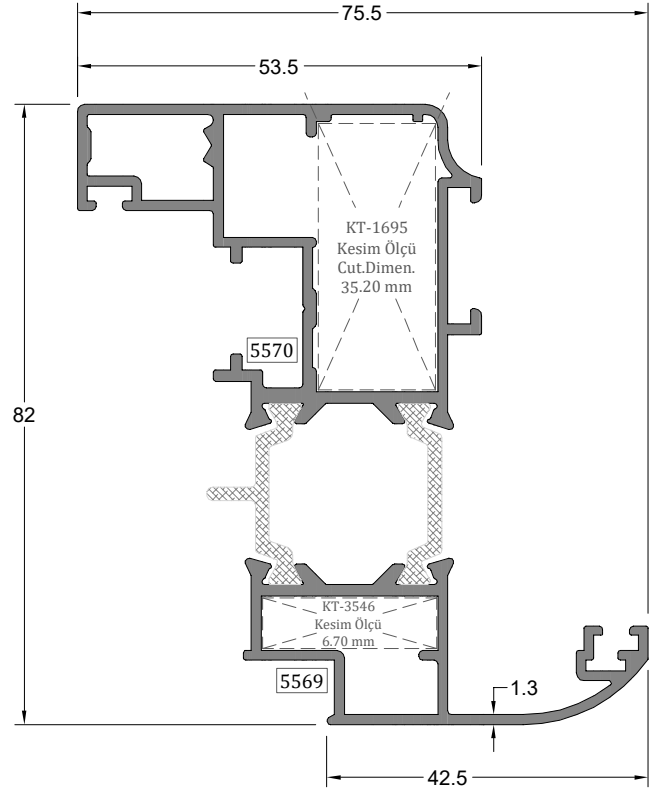
| Pvc Kanallı Kanat Profili | Profil Kodu | (kg/mt) | Jx cm ⁴ | Jy cm ⁴ |
|---------------------------|--------------|---------|--------------------|--------------------|
| PVC GROOVED SASH PROFILE | Profile Code | Weight | | |
| | 64-5160-5161 | 2,090 | 47,40 | 20,29 |



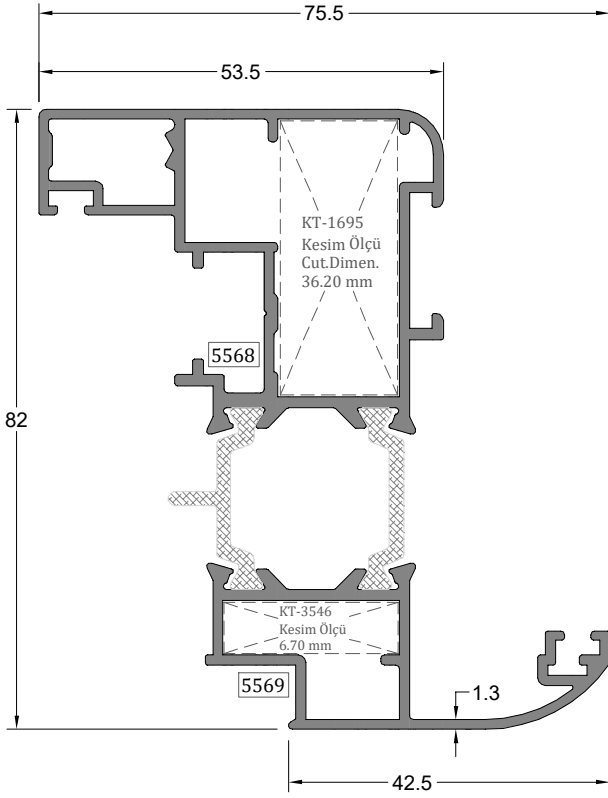
| Pvc Kanallı Kanat Profili | Profil Kodu | (kg/mt) | Jx cm ⁴ | Jy cm ⁴ |
|---------------------------|--------------|---------|--------------------|--------------------|
| PVC GROOVED SASH PROFILE | Profile Code | Weight | | |
| | 64-5525-5526 | 2,201 | 50,95 | 34,80 |



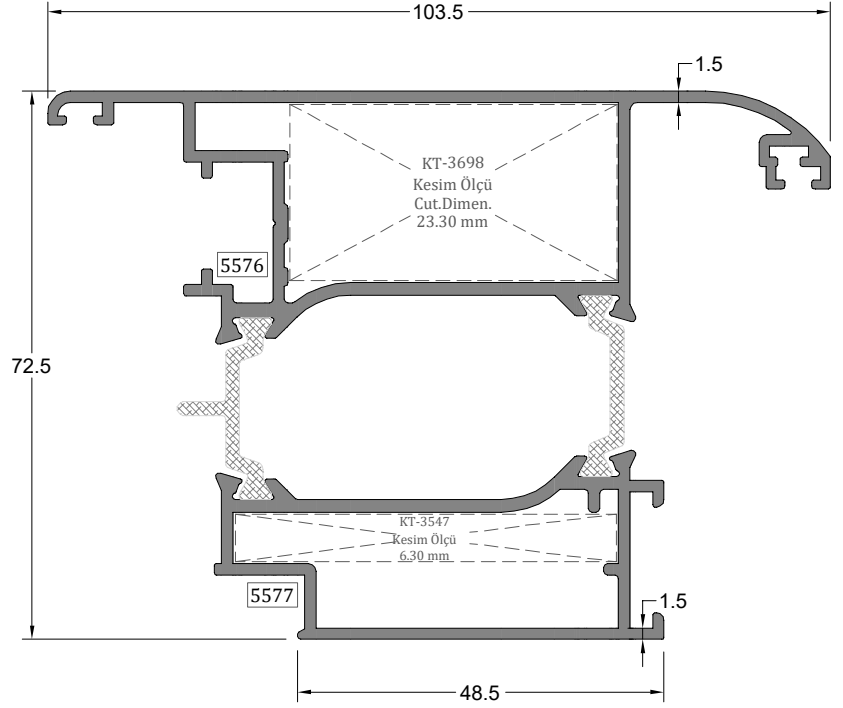
| Pvc Kanallı Kanat Profili | Profil Kodu | (kg/mt) | Jx cm ⁴ | Jy cm ⁴ |
|---------------------------|--------------|---------|--------------------|--------------------|
| PVC GROOVED SASH PROFILE | Profile Code | Weight | | |
| | 64-5573-5569 | 1,513 | 31,77 | 13,01 |



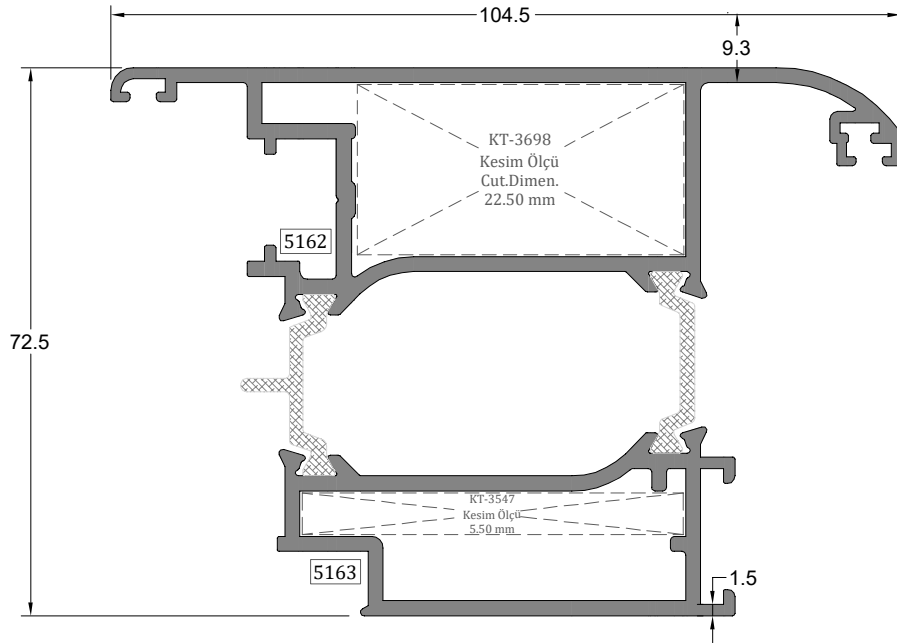
| Pvc Kanallı Kanat Profili | Profil Kodu | (kg/mt) | Jx cm ⁴ | Jy cm ⁴ |
|---------------------------|--------------|---------|--------------------|--------------------|
| PVC GROOVED SASH PROFILE | Profile Code | Weight | | |
| | 64-5570-5569 | 1,706 | 58,43 | 25,61 |



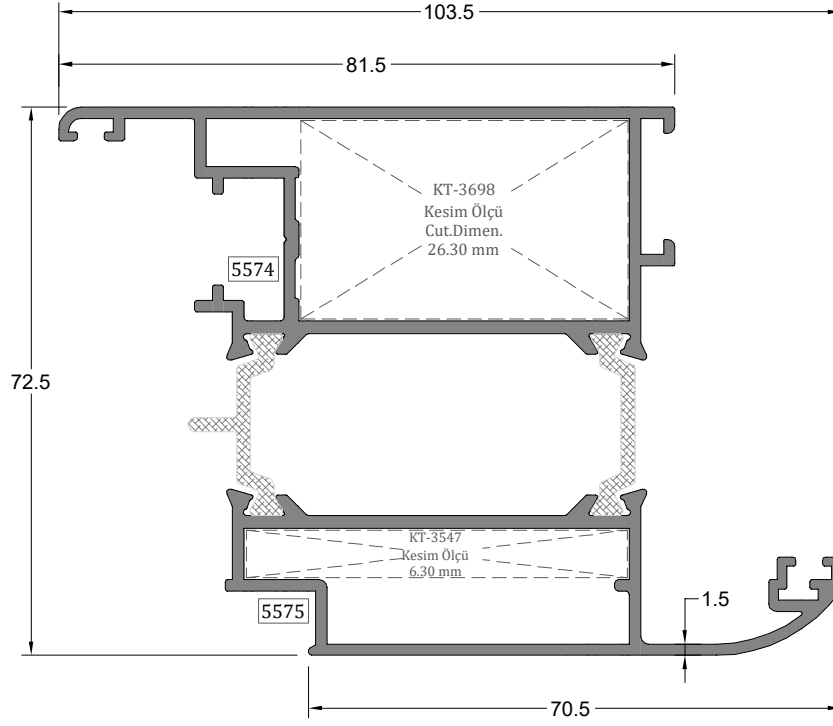
| Pvc Kanallı Kanat Profili | Profil Kodu | (kg/mt) | Jx cm ⁴ | Jy cm ⁴ |
|---------------------------|--------------|---------|--------------------|--------------------|
| PVC GROOVED SASH PROFILE | Profile Code | Weight | | |
| | 64-5568-5569 | 1,710 | 58,66 | 25,93 |



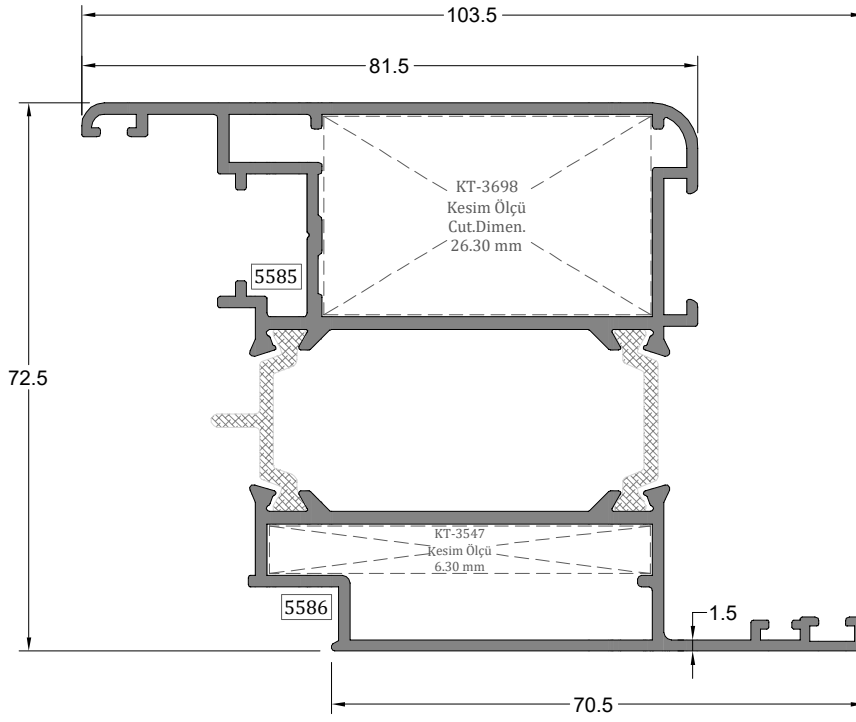
| Pvc Kanallı Kanat Profili | Profil Kodu | (kg/mt) | Jx cm ⁴ | Jy cm ⁴ |
|---------------------------|--------------|---------|--------------------|--------------------|
| PVC GROOVED SASH PROFILE | Profile Code | Weight | | |
| | 64-5576-5577 | 2,131 | 46,53 | 45,21 |



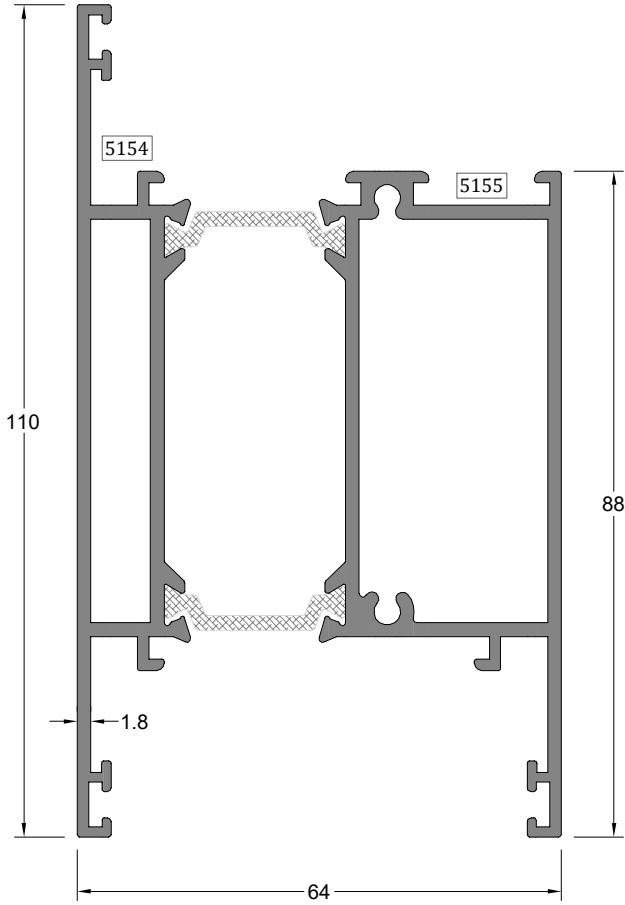
| Pvc Kanallı Kanat Profili | Profil Kodu | (kg/mt) | Jx cm ⁴ | Jy cm ⁴ |
|---------------------------|--------------|---------|--------------------|--------------------|
| PVC GROOVED SASH PROFILE | Profile Code | Weight | | |
| | 64-5162-5163 | 2,568 | 58,50 | 54,22 |



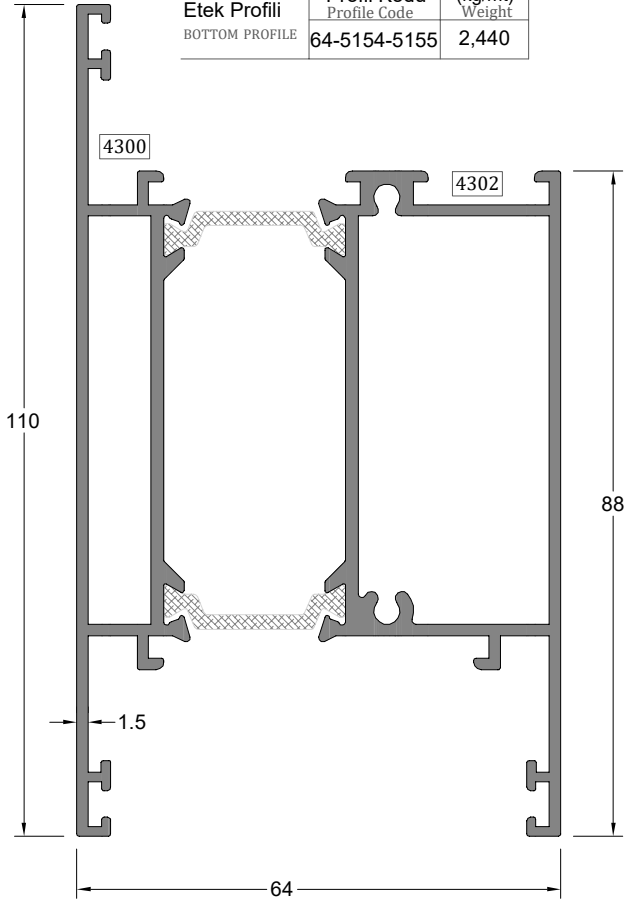
| Pvc Kanallı Kanat Profili | Profil Kodu | (kg/mt) | Jx cm ⁴ | Jy cm ⁴ |
|---------------------------|--------------|---------|--------------------|--------------------|
| PVC GROOVED SASH PROFILE | Profile Code | Weight | | |
| | 64-5574-5575 | 2,118 | 47,73 | 45,03 |



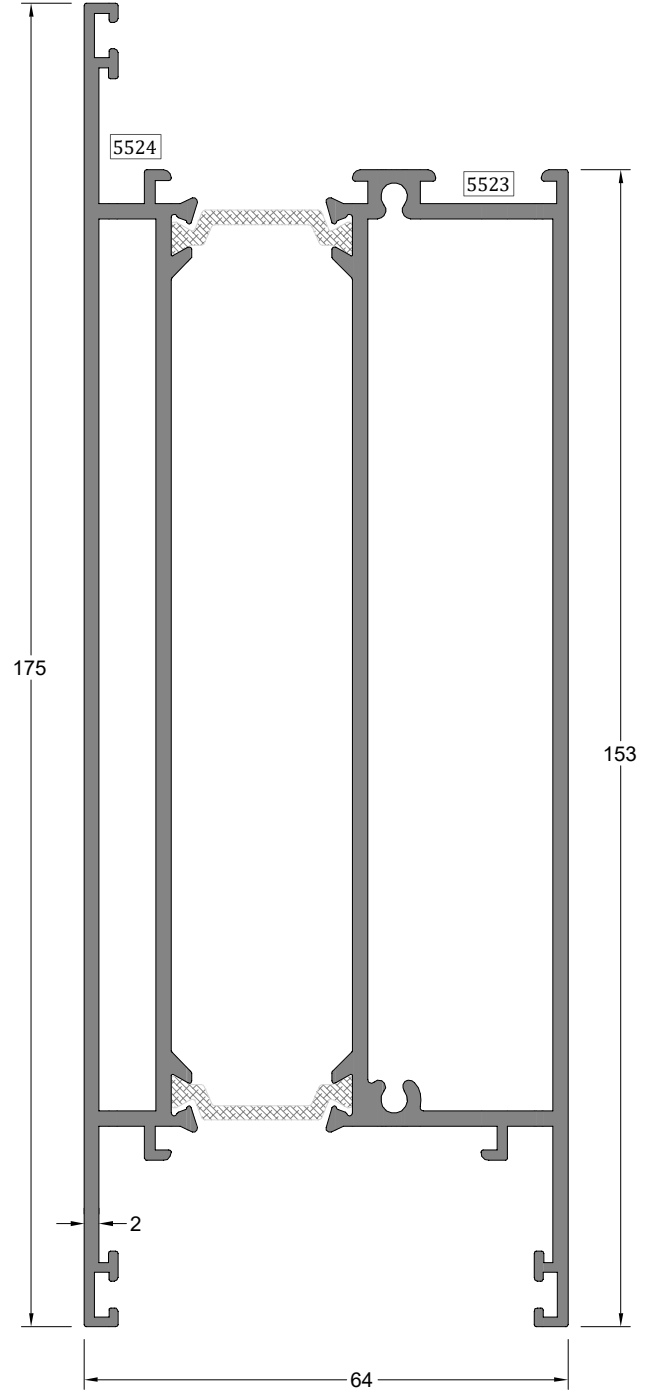
| Pvc Kanallı Kanat Profili | Profil Kodu | (kg/mt) | Jx cm ⁴ | Jy cm ⁴ |
|---------------------------|--------------|---------|--------------------|--------------------|
| PVC GROOVED SASH PROFILE | Profile Code | Weight | | |
| | 64-5585-5586 | 2,095 | 47,72 | 41,59 |



| Etek Profili | Profil Kodu | (kg/mt) |
|----------------|--------------|---------|
| BOTTOM PROFILE | Profile Code | Weight |
| 64-5154-5155 | 2,440 | |

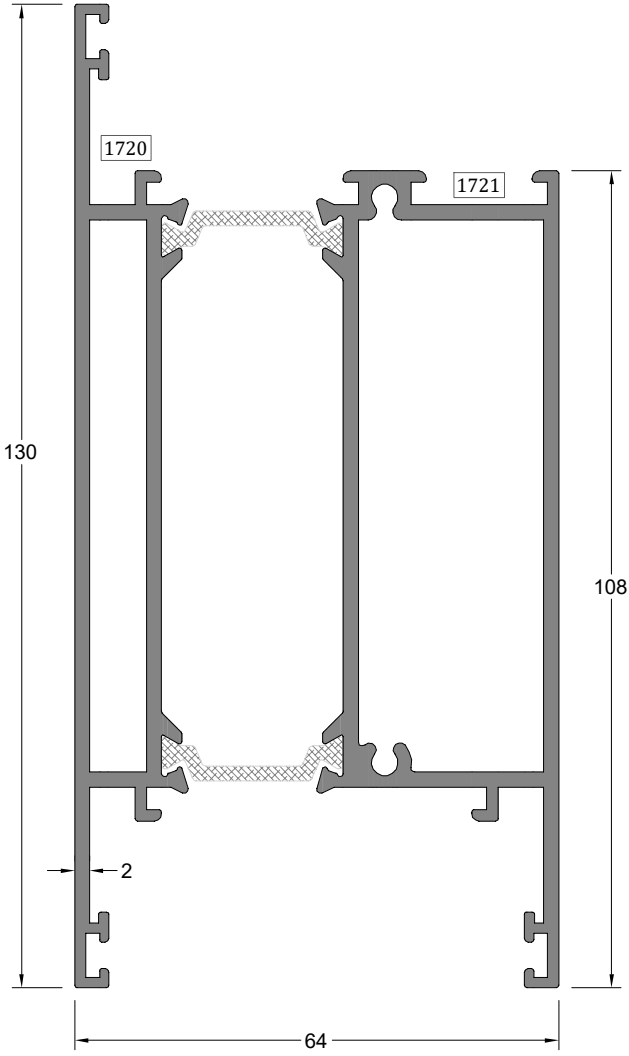


| Etek Profili | Profil Kodu | (kg/mt) |
|----------------|--------------|---------|
| BOTTOM PROFILE | Profile Code | Weight |
| 64-4300-4302 | 2,217 | |

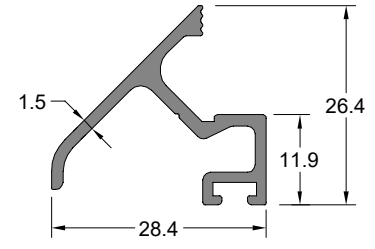


| Etek Profili | Profil Kodu | (kg/mt) |
|----------------|--------------|---------|
| BOTTOM PROFILE | Profile Code | Weight |
| 64-5523-5524 | 4,022 | |

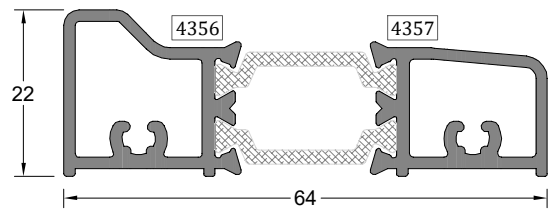
** Her profil için minimum sipariş 300 kg'dır.
** Minimum order quantity is 300 kg per profile.



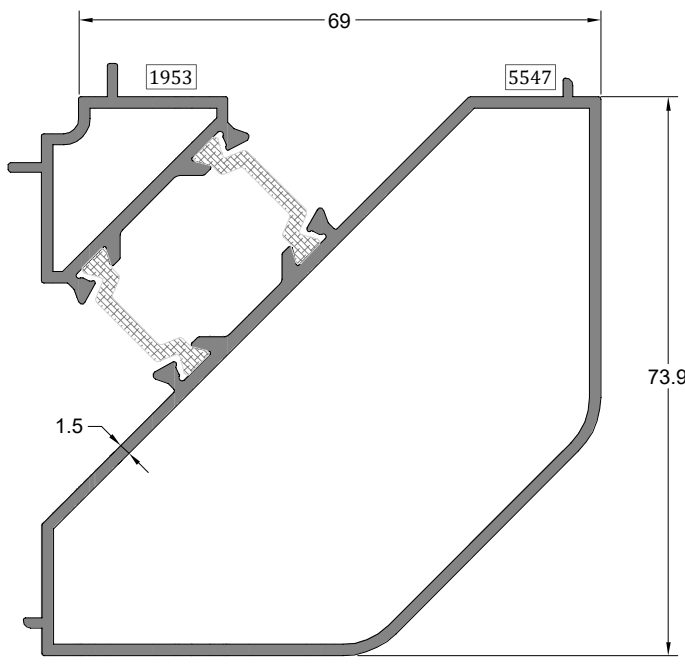
| Etek Profili | Profil Kodu | (kg/mt) |
|----------------|--------------|---------|
| BOTTOM PROFILE | Profile Code | Weight |
| | 64-1720-1721 | 3,031 |



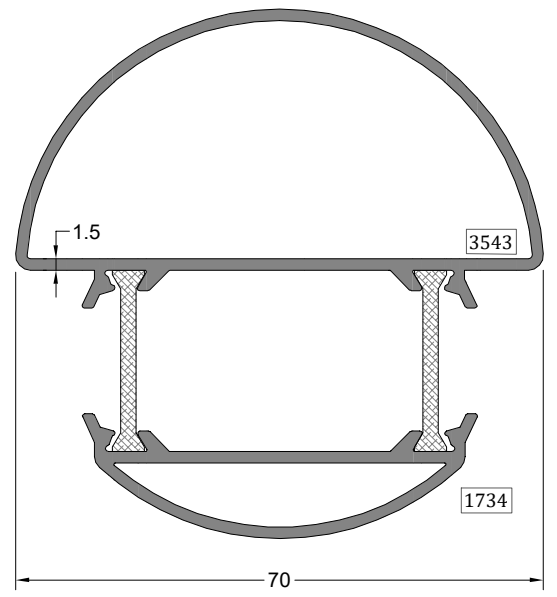
| Damlalık Profili | Profil Kodu | (kg/mt) |
|------------------|--------------|---------|
| DROPPER PROFILE | Profile Code | Weight |
| | 4358 | 0,316 |



| Kapı Altı Eşik Profili | Profil Kodu | (kg/mt) |
|------------------------|--------------|---------|
| DOOR THRESHOLD PROFILE | Profile Code | Weight |
| | 64-4356-4357 | 1,000 |

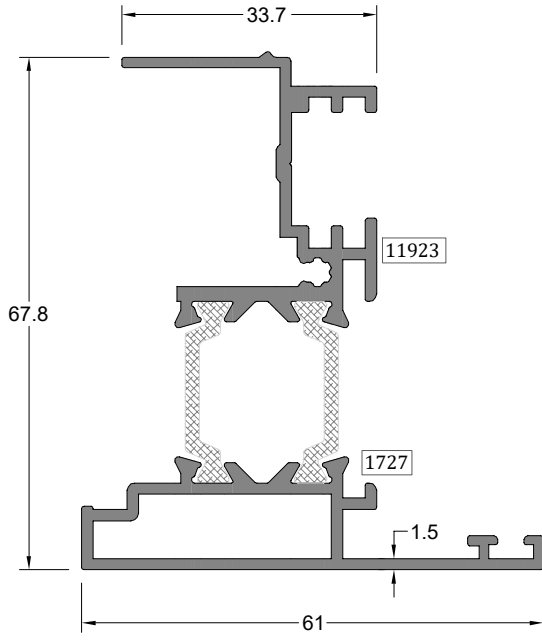


| Köşe Dönüş Profili | Profil Kodu | (kg/mt) | Jx cm ⁴ | Jy cm ⁴ |
|--------------------|--------------|---------|--------------------|--------------------|
| CORNER PROFILE | Profile Code | Weight | | |
| | 64-1953-5547 | 1,649 | 35,14 | 35,14 |

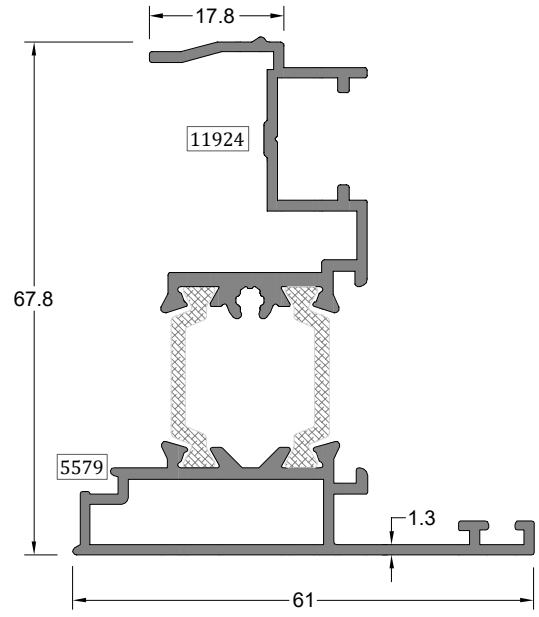


| Köşe Dönüş Profili | Profil Kodu | (kg/mt) | Jx cm ⁴ | Jy cm ⁴ |
|--------------------|--------------|---------|--------------------|--------------------|
| CORNER PROFILE | Profile Code | Weight | | |
| | 64-1734-3543 | 1,405 | 22,52 | 18,88 |

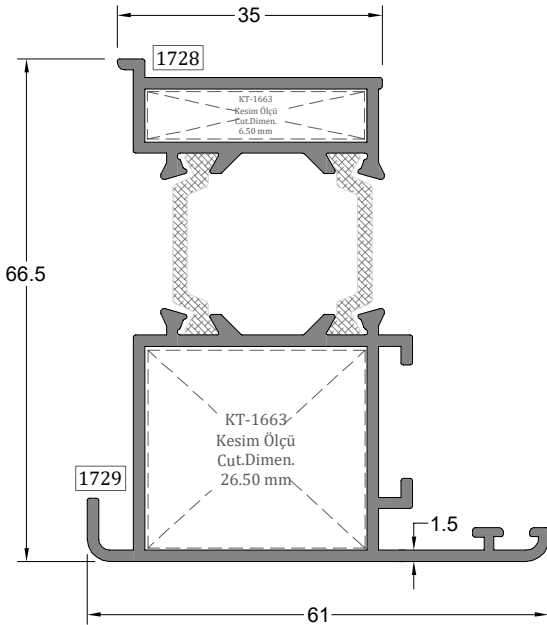
** Her profil için minimum sipariş 300 kg'dır.
 ** Minimum order quantity is 300 kg per profile.



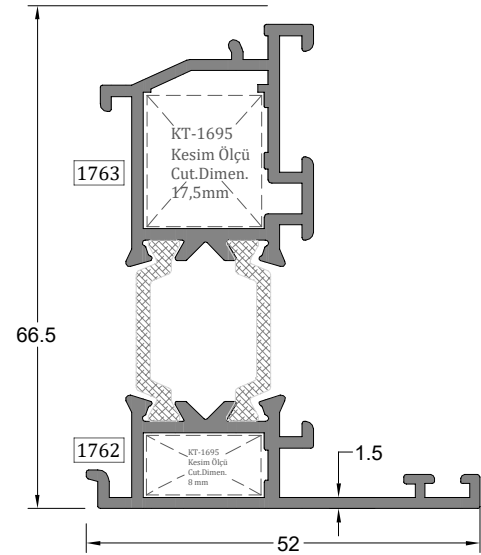
| Euro Kanallı Adaptör Profili | Profil Kodu | (kg/mt) |
|------------------------------|---------------|---------|
| EURO GROOVED ADAPTER PROFILE | Profile Code | Weight |
| | 64-11923-1727 | 1,326 |



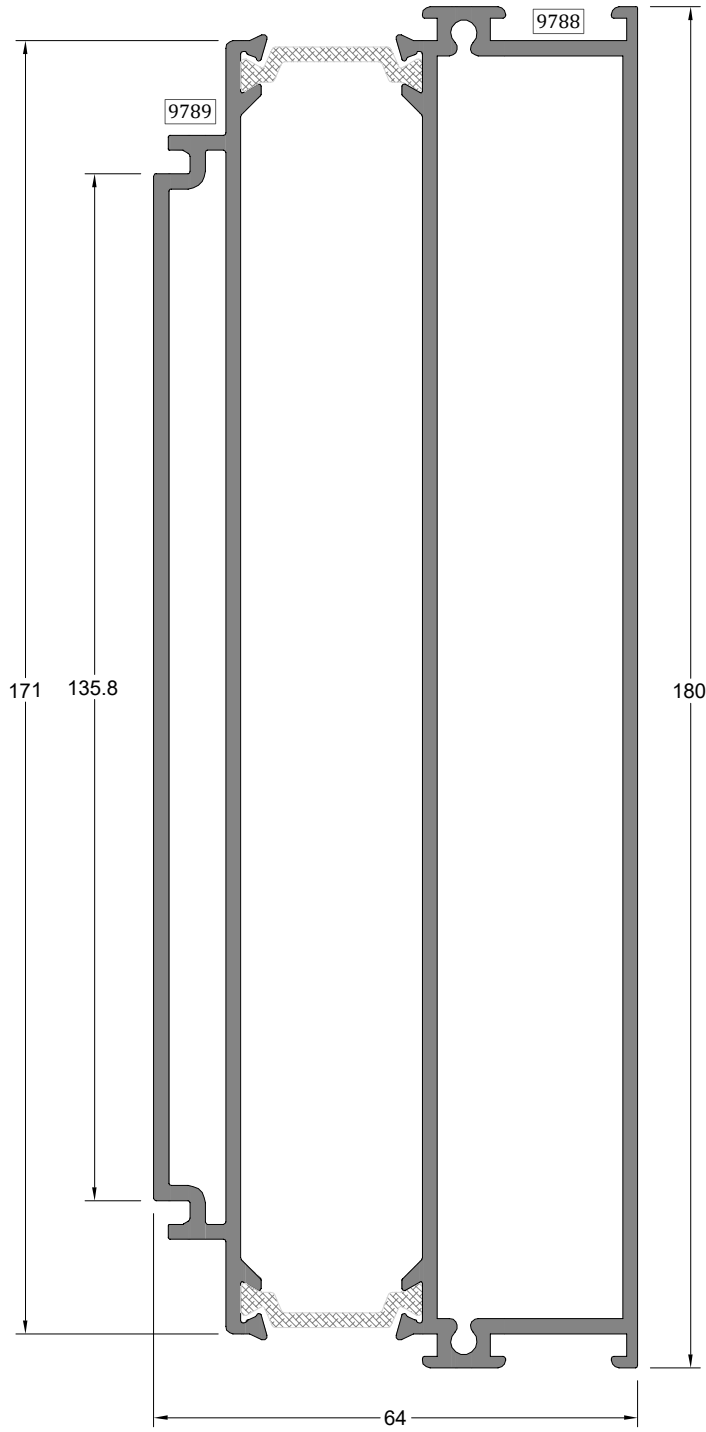
| Pvc Kanallı Adaptör Profili | Profil Kodu | (kg/mt) |
|-----------------------------|---------------|---------|
| PVC GROOVED ADAPTER PROFILE | Profile Code | Weight |
| | 64-11924-5579 | 1,230 |



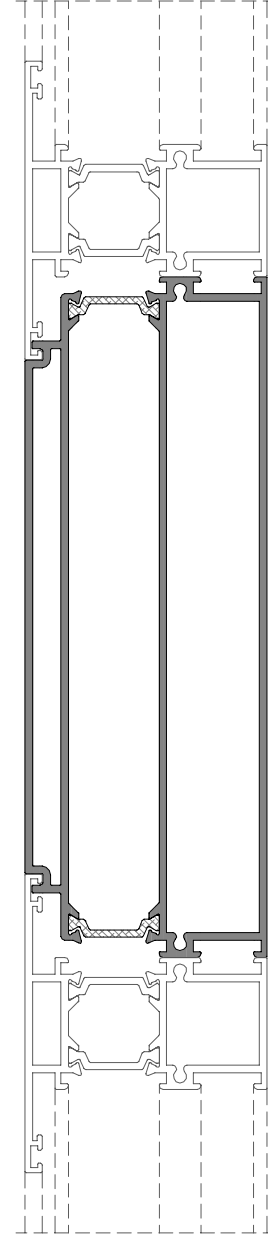
| Pivot Adaptör Profili | Profil Kodu | (kg/mt) |
|-----------------------|--------------|---------|
| PIVOT ADAPTER PROFILE | Profile Code | Weight |
| | 64-1728-1729 | 1,407 |

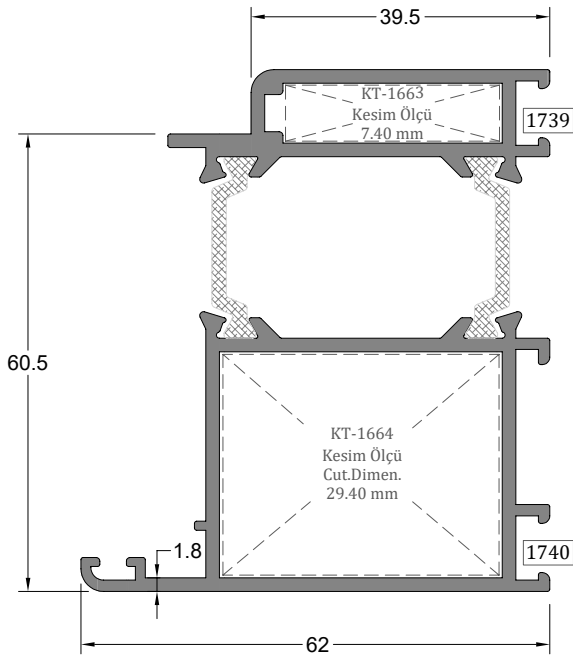


| Dışa Açılır Adaptör Profili | Profil Kodu | (kg/mt) |
|---------------------------------|--------------|---------|
| OUTWARD OPENING ADAPTER PROFILE | Profile Code | Weight |
| | 64-1762-1763 | 1,190 |

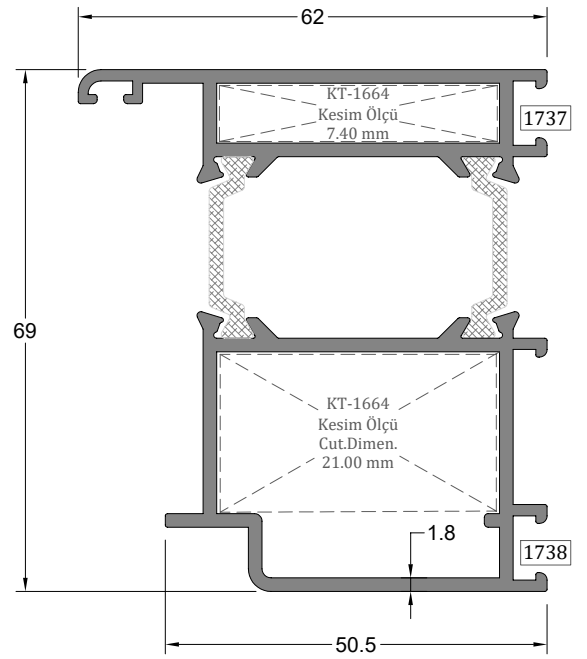


| Orta Kayıt Profili MULLION PROFILE | Profil Kodu Profile Code | (kg/mt) Weight | Jx cm ⁴ | Jy cm ⁴ |
|---------------------------------------|-----------------------------|-------------------|--------------------|--------------------|
| | 64-9789-9788 | 4,456 | 480,99 | 86,07 |

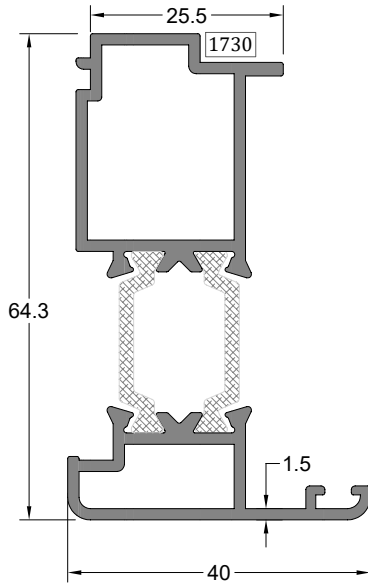




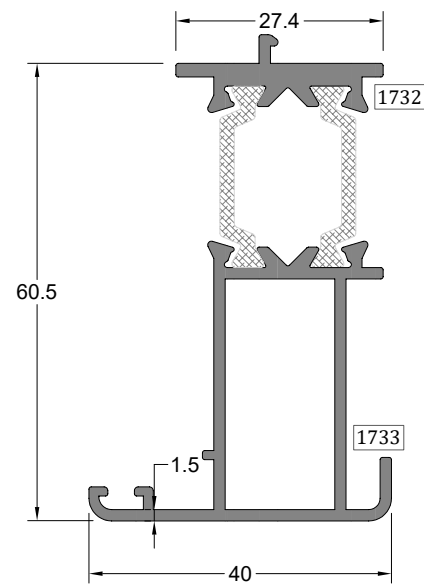
| ★Hemyüz Dışa Açılır Kasa Profili | Profil Kodu | (kg/mt) | Jx cm ⁴ | Jy cm ⁴ |
|---|--------------|---------|--------------------|--------------------|
| SYMMETRICAL OUTWARD OPENING FRAME PROFILE | Profile Code | Weight | | |
| | 64-1739-1740 | 1,742 | 35,32 | 16,10 |



| ★Hemyüz İçe Açılır Kasa Profili | Profil Kodu | (kg/mt) | Jx cm ⁴ | Jy cm ⁴ |
|--|--------------|---------|--------------------|--------------------|
| SYMMETRICAL INWARD OPENING FRAME PROFILE | Profile Code | Weight | | |
| | 64-1737-1738 | 1,731 | 34,63 | 16,50 |



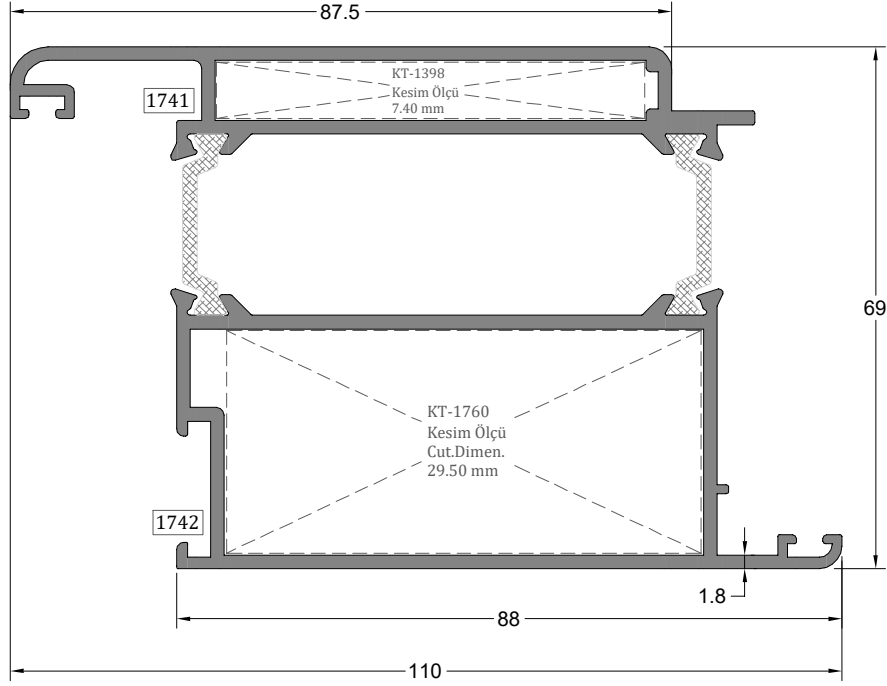
| ★Hemyüz İçe Açılır Adaptör Profili | Profil Kodu | (kg/mt) | Jx cm ⁴ | Jy cm ⁴ |
|--|--------------|---------|--------------------|--------------------|
| SYMMETRICAL INWARD OPENING ADAPTER PROFILE | Profile Code | Weight | | |
| | 64-1730-1731 | 1,096 | 17,40 | 3,27 |



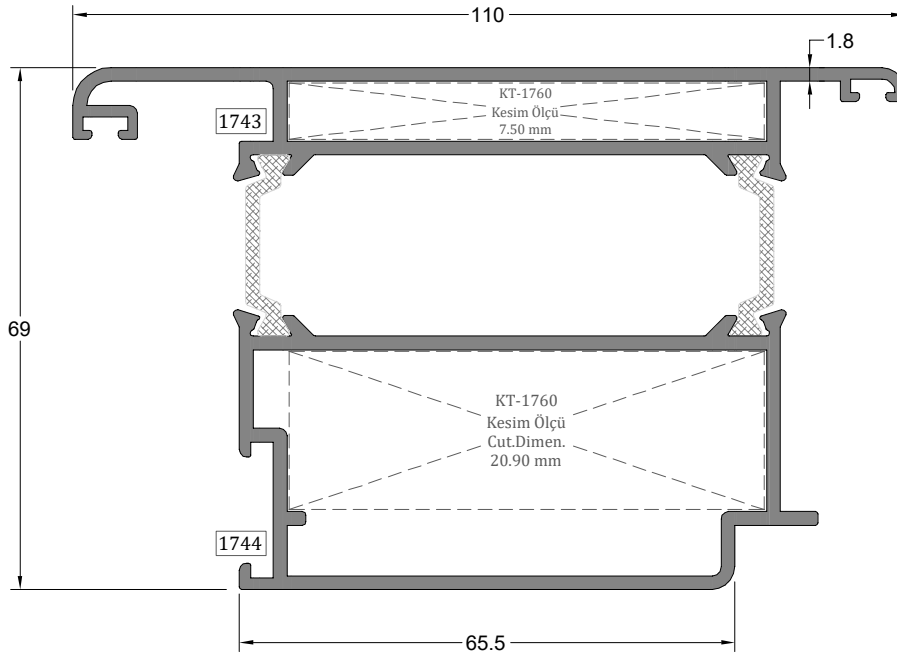
| ★Hemyüz Dışa Açılır Adaptör Profili | Profil Kodu | (kg/mt) | Jx cm ⁴ | Jy cm ⁴ |
|---|--------------|---------|--------------------|--------------------|
| SYMMETRICAL OUTWARD OPENING ADAPTER PROFILE | Profile Code | Weight | | |
| | 64-1732-1733 | 1,097 | 17,49 | 2,92 |

| | | | |
|---|--------------|--------------|--------------|
| ★ | 64-1739-1740 | 64-1730-1731 | 64-1741-1742 |
| | 64-1737-1738 | 64-1732-1733 | 64-1743-1744 |

Tablodaki profiller birbiri ile çalışmaktadır.
 Profiles in the table work with each other.



| ★Hemyüz İçe Açılır Kapı Kanat Profili | Profil Kodu | (kg/mt) | Jx cm ⁴ | Jy cm ⁴ |
|---|--------------|---------|--------------------|--------------------|
| SYMMETRICAL INWARD OPENING SASH PROFILE | Profile Code | Weight | | |
| | 64-1741-1742 | 2,425 | 53,99 | 68,21 |

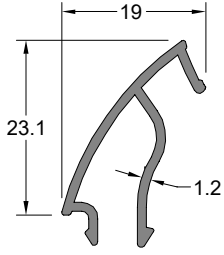


| ★Hemyüz Dışa Açılır Kapı Kanat Profili | Profil Kodu | (kg/mt) | Jx cm ⁴ | Jy cm ⁴ |
|--|--------------|---------|--------------------|--------------------|
| SYMMETRICAL OUTWARD OPENING SASH PROFILE | Profile Code | Weight | | |
| | 64-1743-1744 | 2,421 | 51,88 | 68,15 |

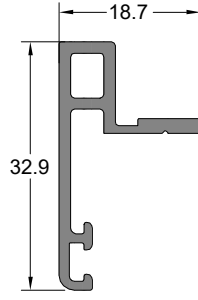


| | | |
|--------------|--------------|--------------|
| 64-1739-1740 | 64-1730-1731 | 64-1741-1742 |
| 64-1737-1738 | 64-1732-1733 | 64-1743-1744 |

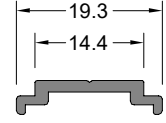
Tablodaki profiller birbiri ile çalışmaktadır.
 Profiles in the table work with each other.



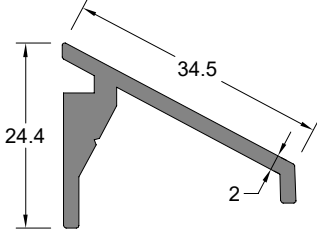
| Köşe Dönüş Çıtası CORNER BEAD | Profil Kodu Profile Code | (kg/mt) Weight |
|----------------------------------|-----------------------------|-------------------|
| | 1736 | 0,210 |



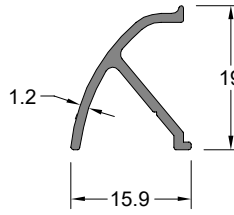
| Kanat Altı Kapama Profili SUB-SASH COVER PROFILE | Profil Kodu Profile Code | (kg/mt) Weight |
|---|-----------------------------|-------------------|
| | 10923 | 0,295 |



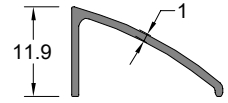
| Tij Profili STEM BAR PROFILE | Profil Kodu Profile Code | (kg/mt) Weight |
|---------------------------------|-----------------------------|-------------------|
| | 8241 | 0,099 |



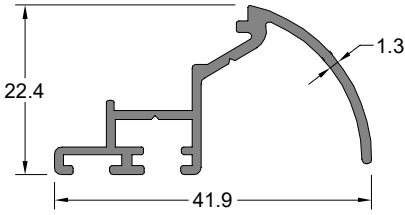
| Damlalık Profili SILL PROFILE | Profil Kodu Profile Code | (kg/mt) Weight |
|----------------------------------|-----------------------------|-------------------|
| | 1011 | 0,402 |



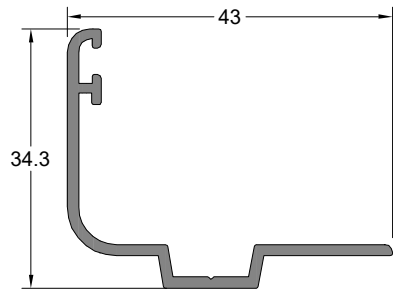
| Damlalık Profili SILL PROFILE | Profil Kodu Profile Code | (kg/mt) Weight |
|----------------------------------|-----------------------------|-------------------|
| | 7021 | 0,140 |



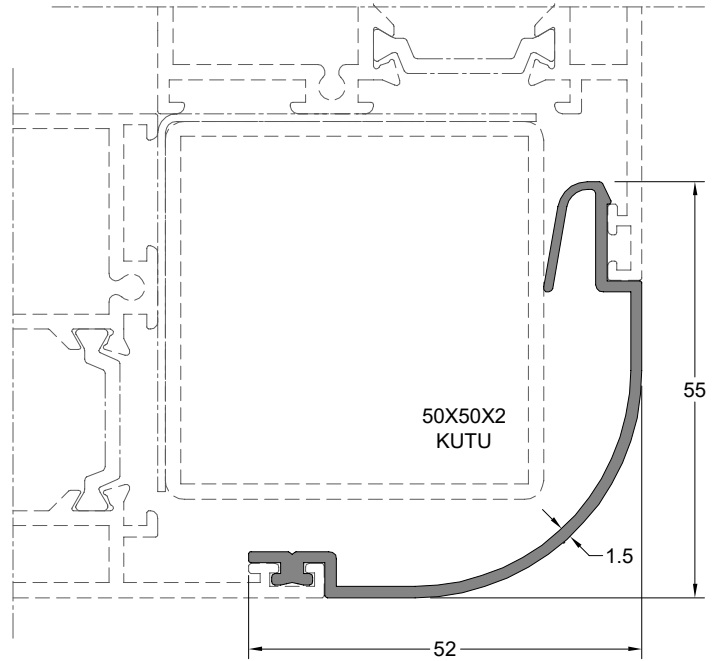
| Damlalık Profili SILL PROFILE | Profil Kodu Profile Code | (kg/mt) Weight |
|----------------------------------|-----------------------------|-------------------|
| | 4242 | 0,094 |



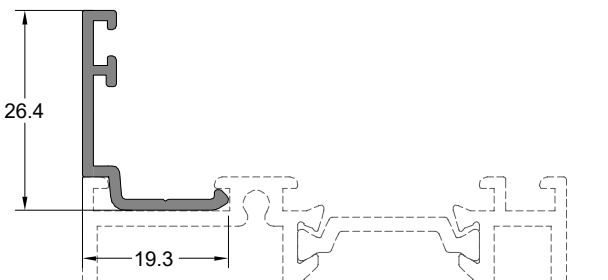
| Damlalık Profili SILL PROFILE | Profil Kodu Profile Code | (kg/mt) Weight |
|----------------------------------|-----------------------------|-------------------|
| | 12375 | 0,326 |



| Pervaz Profili SILL PROFILE | Profil Kodu Profile Code | (kg/mt) Weight |
|--------------------------------|-----------------------------|-------------------|
| | 1681 | 0,340 |

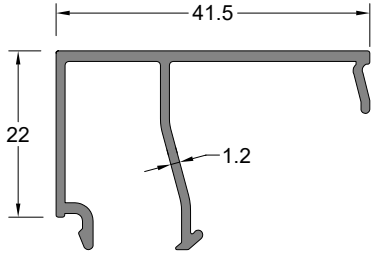


| Adaptör Profili ADAPTER PROFILE | Profil Kodu Profile Code | (kg/mt) Weight |
|------------------------------------|-----------------------------|-------------------|
| | 1911 | 0,425 |

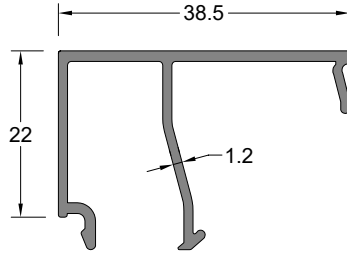


| Pervaz Profili SILL PROFILE | Profil Kodu Profile Code | (kg/mt) Weight |
|--------------------------------|-----------------------------|-------------------|
| | 1912 | 0,211 |

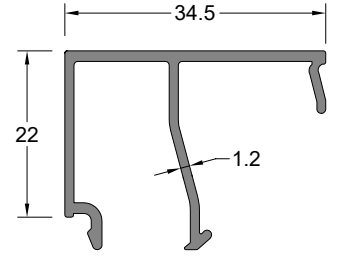
** Her profil için minimum sipariş 300 kg'dır.
 ** Minimum order quantity is 300 kg per profile.



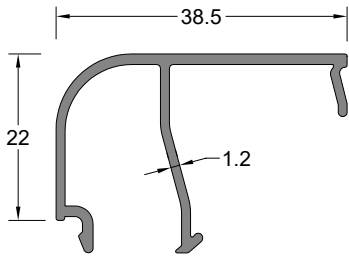
| Cam Çıtası | Profil Kodu | (kg/mt) |
|--------------|--------------|---------|
| GLAZING BEAD | Profile Code | Weight |
| | 3537 | 0,367 |



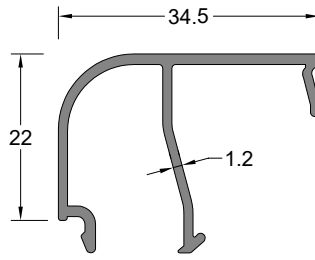
| Cam Çıtası | Profil Kodu | (kg/mt) |
|--------------|--------------|---------|
| GLAZING BEAD | Profile Code | Weight |
| | 1749 | 0,356 |



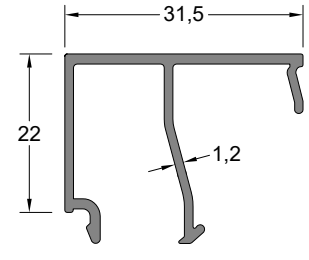
| Cam Çıtası | Profil Kodu | (kg/mt) |
|--------------|--------------|---------|
| GLAZING BEAD | Profile Code | Weight |
| | 1747 | 0,340 |



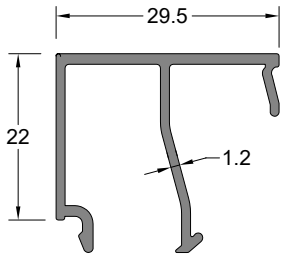
| Cam Çıtası | Profil Kodu | (kg/mt) |
|--------------|--------------|---------|
| GLAZING BEAD | Profile Code | Weight |
| | 1750 | 0,342 |



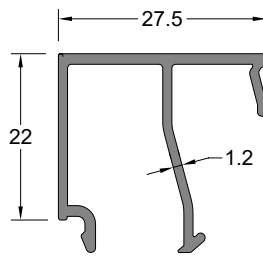
| Cam Çıtası | Profil Kodu | (kg/mt) |
|--------------|--------------|---------|
| GLAZING BEAD | Profile Code | Weight |
| | 1748 | 0,327 |



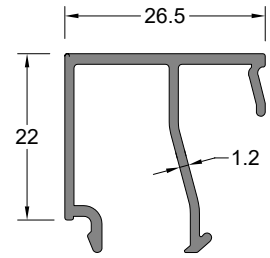
| Cam Çıtası | Profil Kodu | (kg/mt) |
|--------------|--------------|---------|
| GLAZING BEAD | Profile Code | Weight |
| | 3536 | 0,329 |



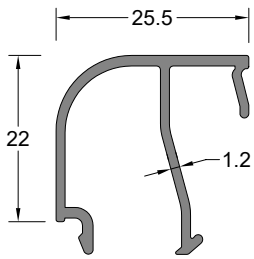
| Cam Çıtası | Profil Kodu | (kg/mt) |
|--------------|--------------|---------|
| GLAZING BEAD | Profile Code | Weight |
| | 3636 | 0,321 |



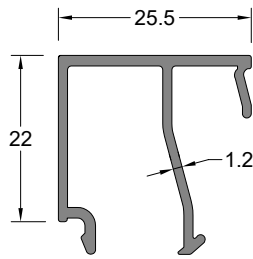
| Cam Çıtası | Profil Kodu | (kg/mt) |
|--------------|--------------|---------|
| GLAZING BEAD | Profile Code | Weight |
| | 1966 | 0,314 |



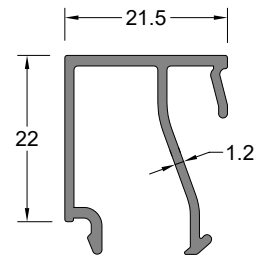
| Cam Çıtası | Profil Kodu | (kg/mt) |
|--------------|--------------|---------|
| GLAZING BEAD | Profile Code | Weight |
| | 2236 | 0,310 |



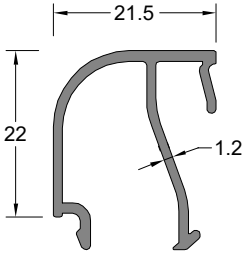
| Cam Çıtası | Profil Kodu | (kg/mt) |
|--------------|--------------|---------|
| GLAZING BEAD | Profile Code | Weight |
| | 5527 | 0,293 |



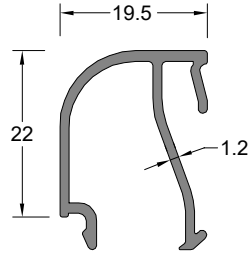
| Cam Çıtası | Profil Kodu | (kg/mt) |
|--------------|--------------|---------|
| GLAZING BEAD | Profile Code | Weight |
| | 1949 | 0,306 |



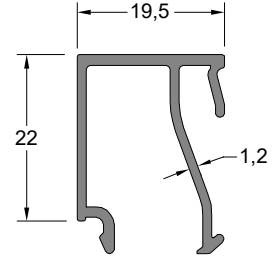
| Cam Çıtası | Profil Kodu | (kg/mt) |
|--------------|--------------|---------|
| GLAZING BEAD | Profile Code | Weight |
| | 1745 | 0,292 |



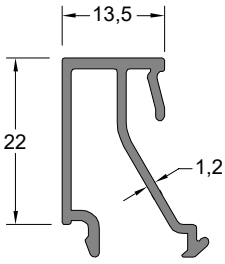
| Cam Çıtası | Profil Kodu | (kg/mt) |
|--------------|--------------|---------|
| GLAZING BEAD | Profile Code | Weight |
| | 1746 | 0,279 |



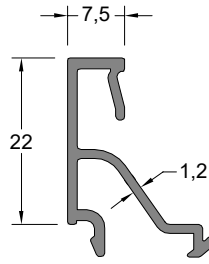
| Cam Çıtası | Profil Kodu | (kg/mt) |
|--------------|--------------|---------|
| GLAZING BEAD | Profile Code | Weight |
| | 5546 | 0,271 |



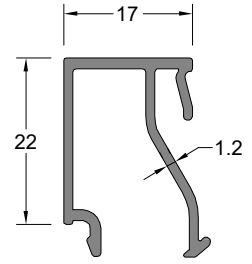
| Cam Çıtası | Profil Kodu | (kg/mt) |
|--------------|--------------|---------|
| GLAZING BEAD | Profile Code | Weight |
| | 1699 | 0,285 |



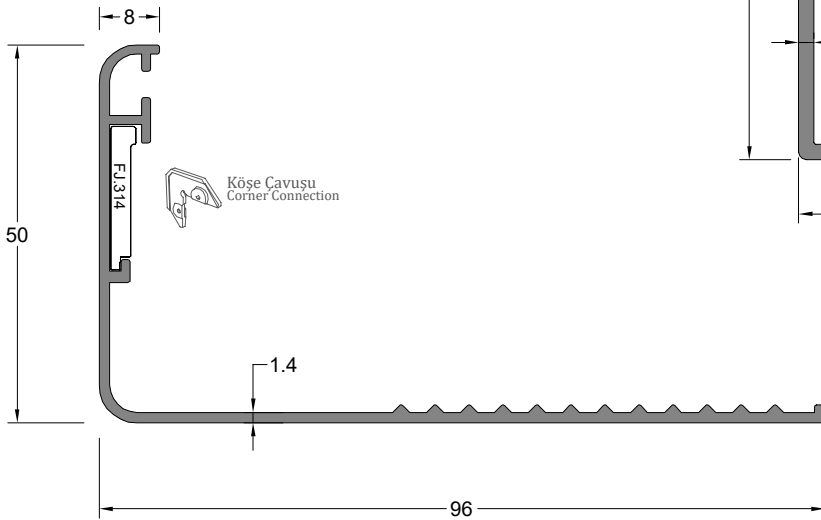
| Cam Çıtası | Profil Kodu | (kg/mt) |
|--------------|--------------|---------|
| GLAZING BEAD | Profile Code | Weight |
| | 1698 | 0,270 |



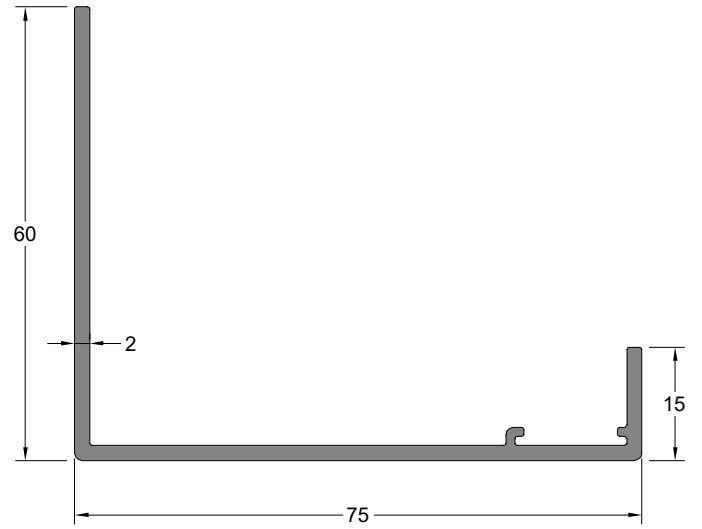
| Cam Çıtası | Profil Kodu | (kg/mt) |
|--------------|--------------|---------|
| GLAZING BEAD | Profile Code | Weight |
| | 1948 | 0,235 |



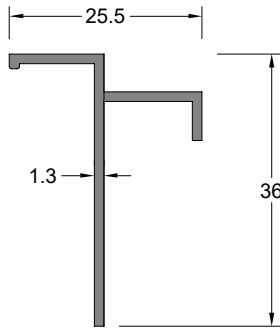
| Cam Çıtası | Profil Kodu | (kg/mt) |
|--------------|--------------|---------|
| GLAZING BEAD | Profile Code | Weight |
| | 3539 | 0,277 |



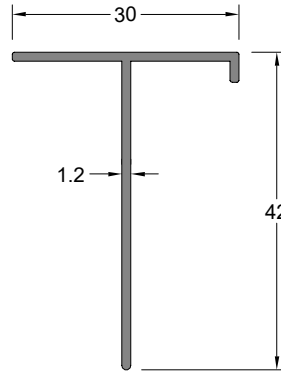
| Pervaz Profili | Profil Kodu | (kg/mt) |
|----------------|--------------|---------|
| SILL PROFILE | Profile Code | Weight |
| | 553 | 0,656 |



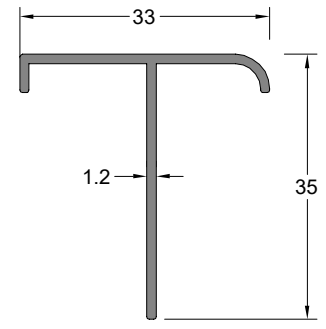
| Pervaz Profili | Profil Kodu | (kg/mt) |
|----------------|--------------|---------|
| SILL PROFILE | Profile Code | Weight |
| | 10012 | 0,805 |



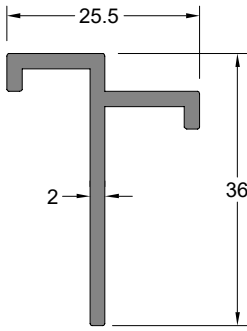
| T Bağlantı Profili | Profil Kodu | (kg/mt) |
|----------------------|--------------|---------|
| T CONNECTION PROFILE | Profile Code | Weight |
| | 1121 | 0,233 |



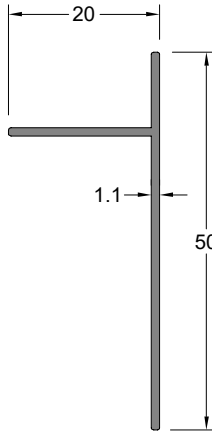
| T Bağlantı Profili | Profil Kodu | (kg/mt) |
|----------------------|--------------|---------|
| T CONNECTION PROFILE | Profile Code | Weight |
| | 1035 | 0,240 |



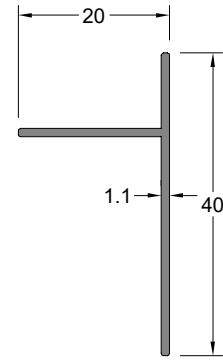
| T Bağlantı Profili | Profil Kodu | (kg/mt) |
|----------------------|--------------|---------|
| T CONNECTION PROFILE | Profile Code | Weight |
| | 1139 | 0,236 |



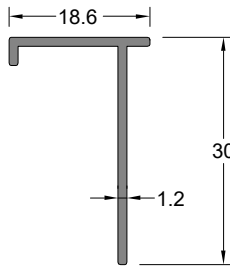
| T Bağlantı Profili | Profil Kodu | (kg/mt) |
|----------------------|--------------|---------|
| T CONNECTION PROFILE | Profile Code | Weight |
| | 1123 | 0,355 |



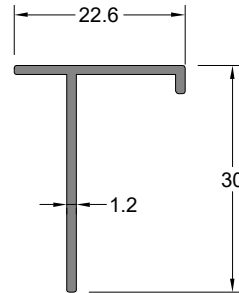
| T Bağlantı Profili | Profil Kodu | (kg/mt) |
|----------------------|--------------|---------|
| T CONNECTION PROFILE | Profile Code | Weight |
| | 5788 | 0,205 |



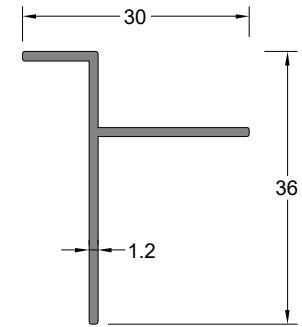
| T Bağlantı Profili | Profil Kodu | (kg/mt) |
|----------------------|--------------|---------|
| T CONNECTION PROFILE | Profile Code | Weight |
| | 6414 | 0,175 |



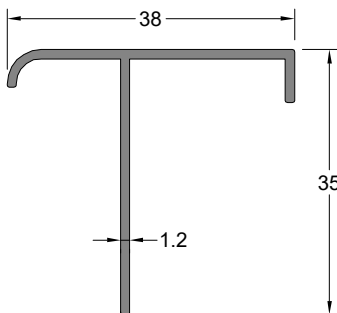
| T Bağlantı Profili | Profil Kodu | (kg/mt) |
|----------------------|--------------|---------|
| T CONNECTION PROFILE | Profile Code | Weight |
| | 3917 | 0,162 |



| T Bağlantı Profili | Profil Kodu | (kg/mt) |
|----------------------|--------------|---------|
| T CONNECTION PROFILE | Profile Code | Weight |
| | 3832 | 0,175 |

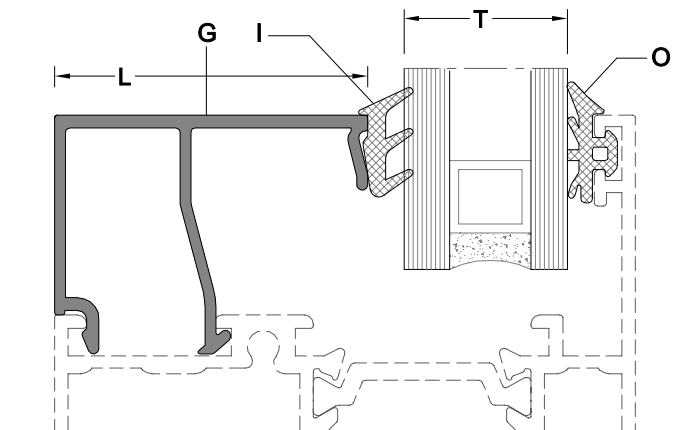


| T Bağlantı Profili | Profil Kodu | (kg/mt) |
|----------------------|--------------|---------|
| T CONNECTION PROFILE | Profile Code | Weight |
| | 3818 | 0,210 |

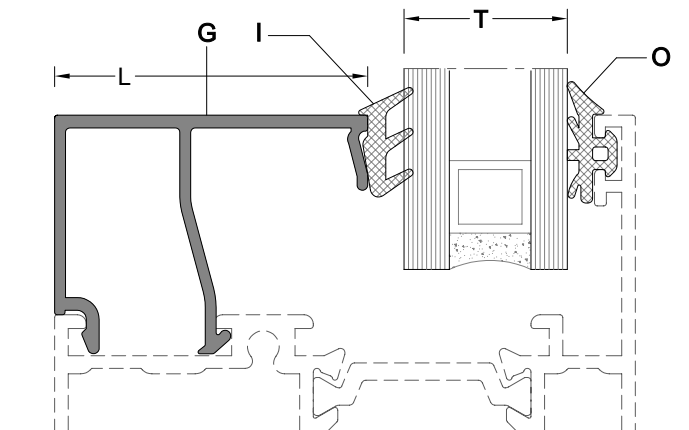


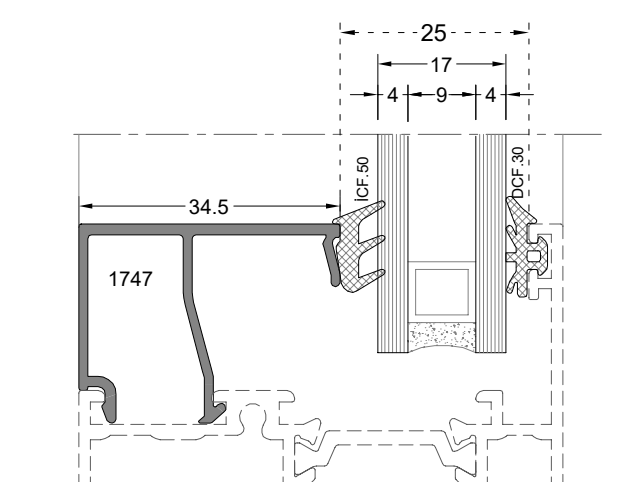
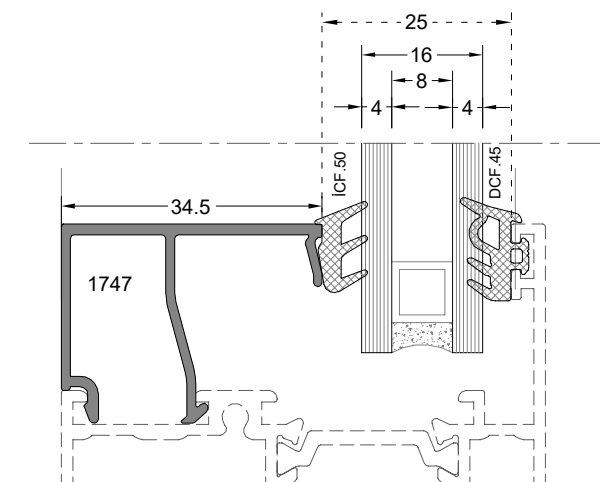
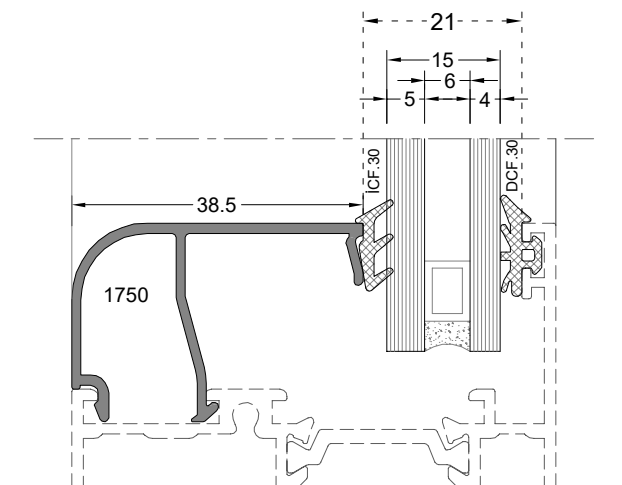
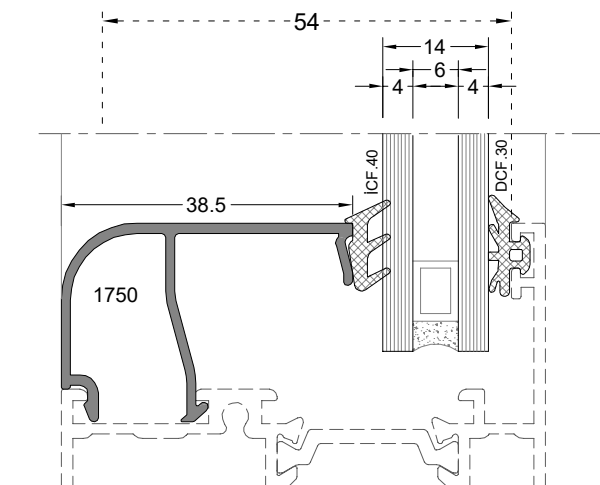
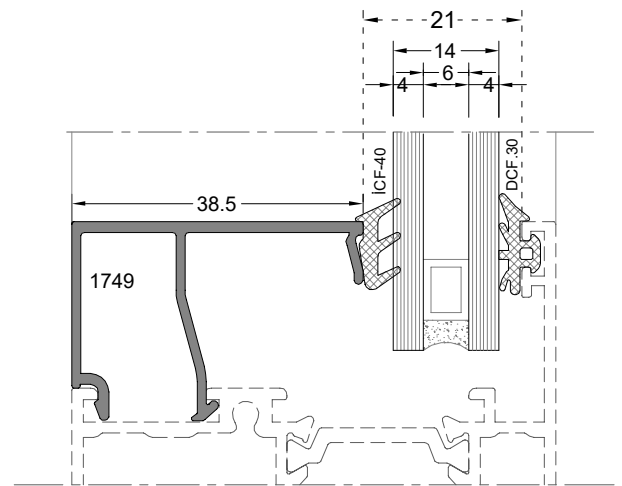
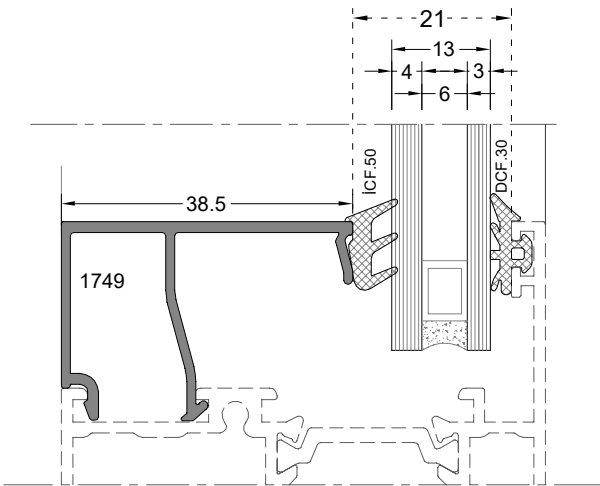
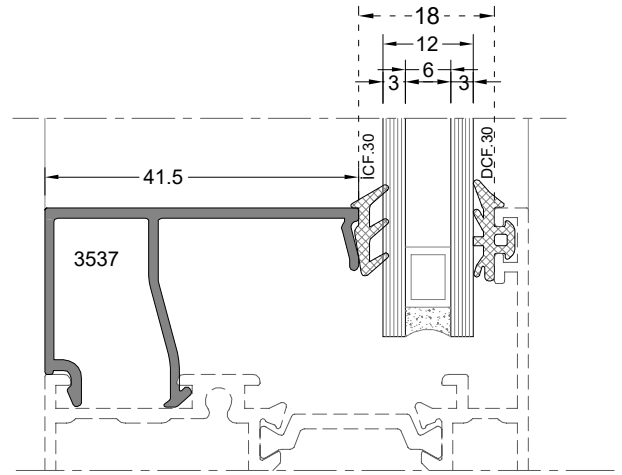
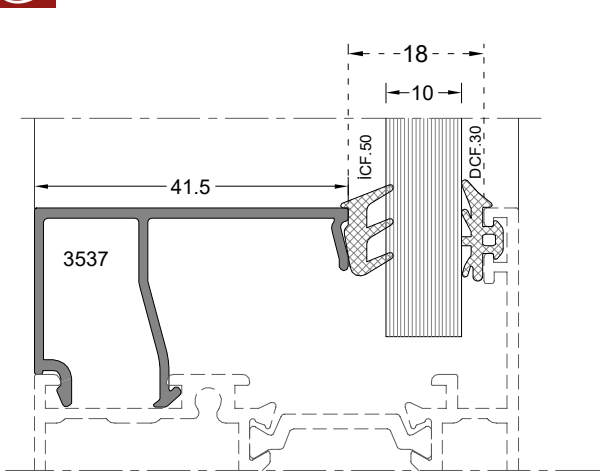
| T Bağlantı Profili | Profil Kodu | (kg/mt) |
|----------------------|--------------|---------|
| T CONNECTION PROFILE | Profile Code | Weight |
| | 7039 | 0,260 |

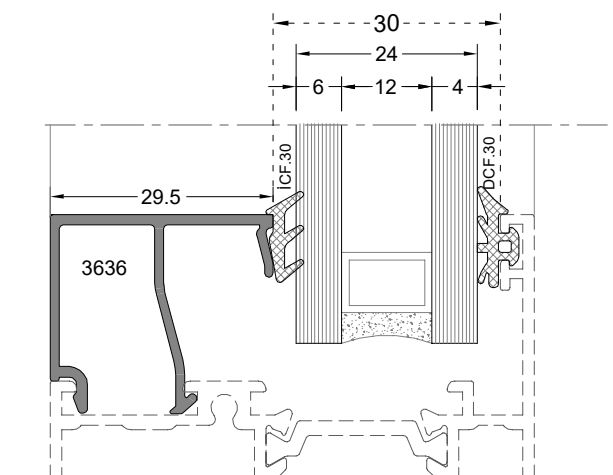
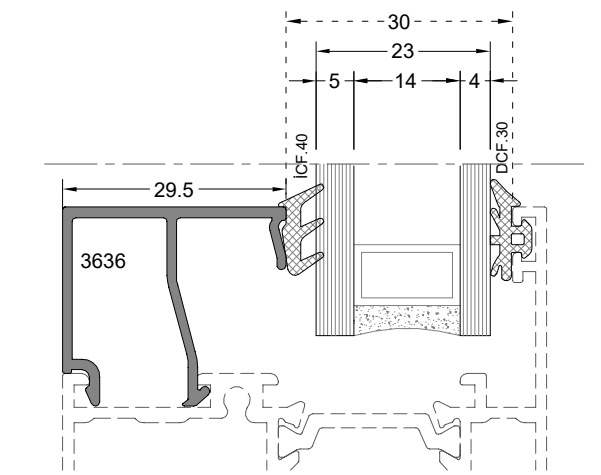
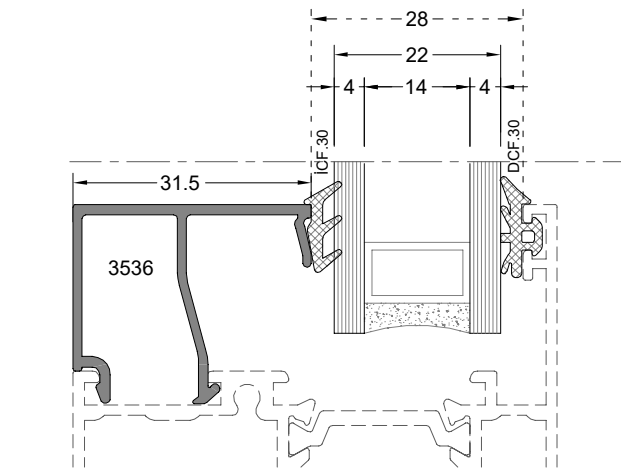
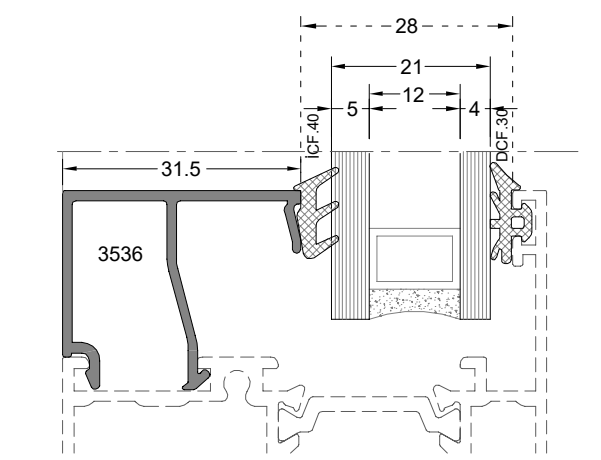
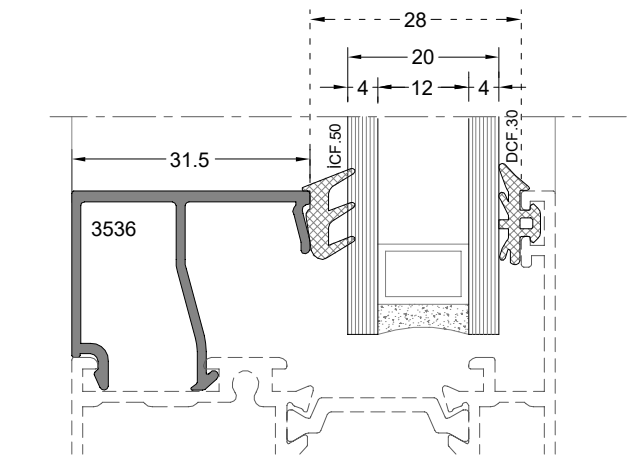
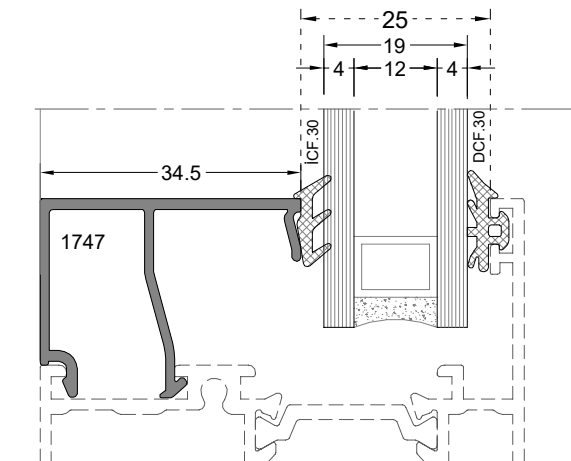
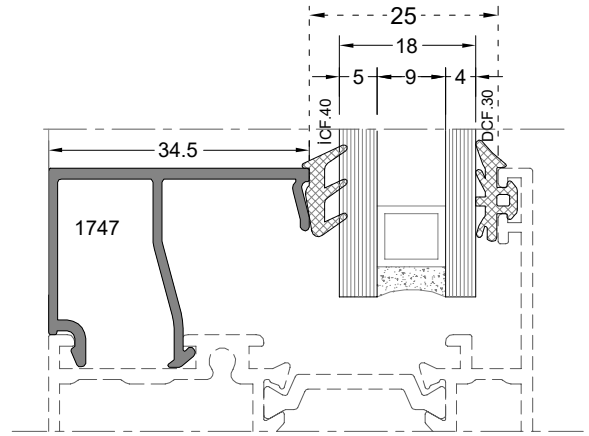
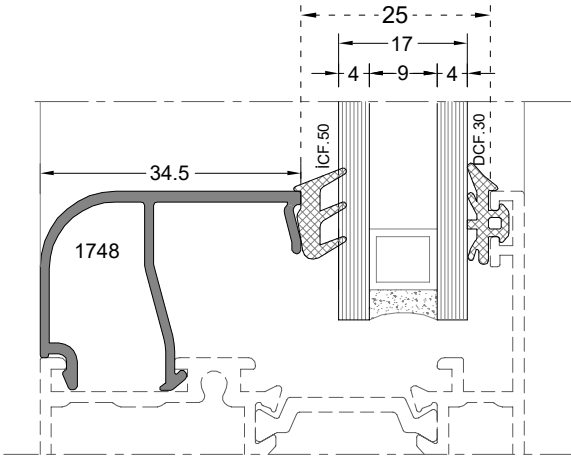
| CAM ÇITASI GLAZING BEAD | CAM ÇITASI UZUNLUĞU GLAZING BEAD LENGTH | İÇ CAM FİTİLİ GLAZING GASKET(inside) | CAM KALINLIĞI GLASS THICKNESS | DIŞ CAM FİTİLİ GLAZING GASKET(outside) |
|----------------------------|--|---|----------------------------------|---|
| (G) | (L) | (I) | (T) | (O) |
| 3537 | 41,5 mm | İCF.50 | 10 mm | DCF.30 |
| 3537 | 41,5 mm | İCF.30 | 12 mm | DCF.30 |
| 1749 | 38,5 mm | İCF.50 | 13 mm | DCF.30 |
| 1749 | 38,5 mm | İCF.40 | 14 mm | DCF.30 |
| 1750 | 38,5 mm | İCF.40 | 14 mm | DCF.30 |
| 1750 | 38,5 mm | İCF.30 | 15 mm | DCF.30 |
| 1747 | 34,5 mm | İCF.50 | 16 mm | DCF.45 |
| 1747 | 34,5 mm | İCF.50 | 17 mm | DCF.30 |
| 1748 | 34,5 mm | İCF.50 | 17 mm | DCF.30 |
| 1747 | 34,5 mm | İCF.40 | 18 mm | DCF.30 |
| 1747 | 34,5 mm | İCF.30 | 19 mm | DCF.30 |
| 3536 | 31,5 mm | İCF.50 | 20 mm | DCF.30 |
| 3536 | 31,5 mm | İCF.40 | 21 mm | DCF.30 |
| 3536 | 31,5 mm | İCF.30 | 22 mm | DCF.30 |
| 3636 | 29,5 mm | İCF.40 | 23 mm | DCF.30 |
| 3636 | 29,5 mm | İCF.30 | 24 mm | DCF.30 |
| 1966 | 27,5 mm | İCF.40 | 25 mm | DCF.30 |
| 2236 | 26,5 mm | İCF.40 | 26 mm | DCF.30 |
| 1949 | 25,5 mm | İCF.50 | 26 mm | DCF.30 |
| 5527 | 25,5 mm | İCF.50 | 26 mm | DCF.30 |
| 5527 | 25,5 mm | İCF.40 | 27 mm | DCF.30 |

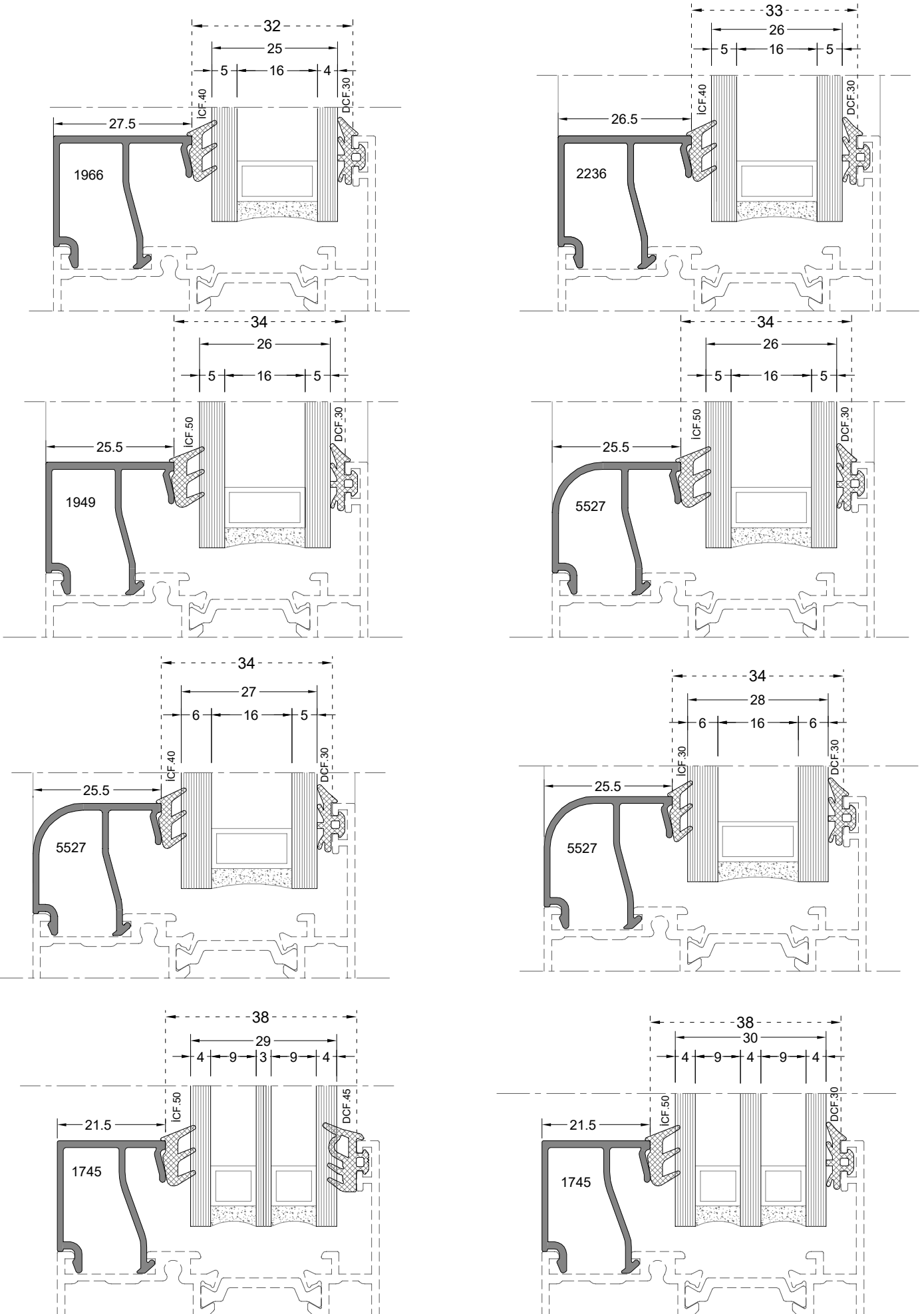


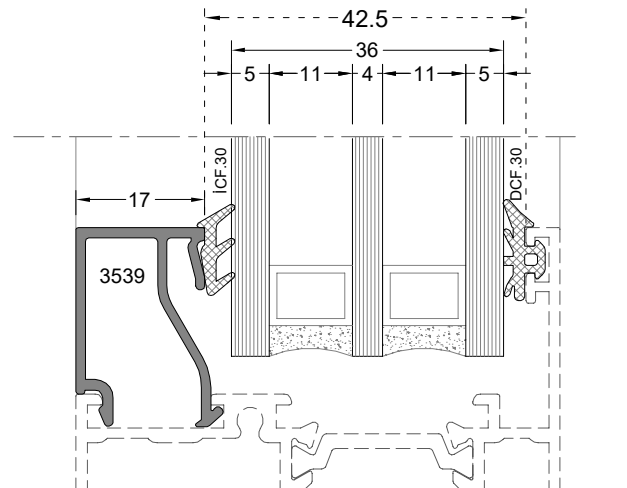
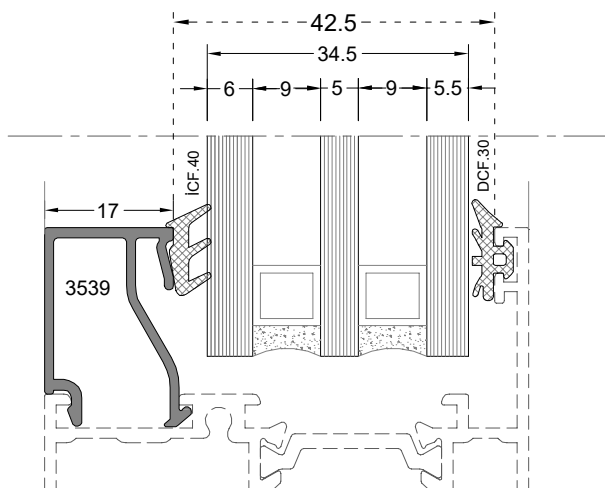
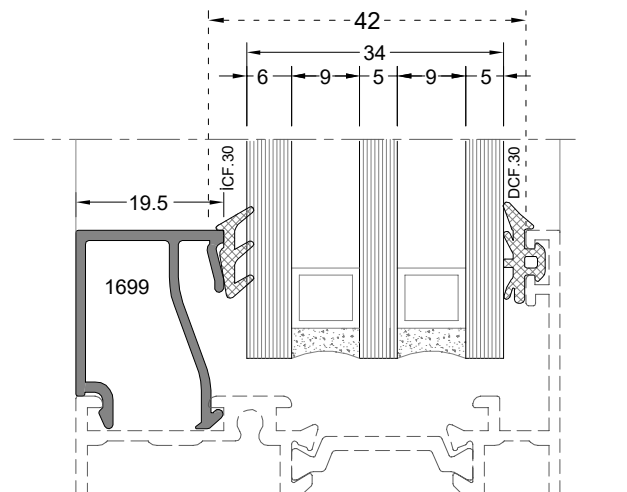
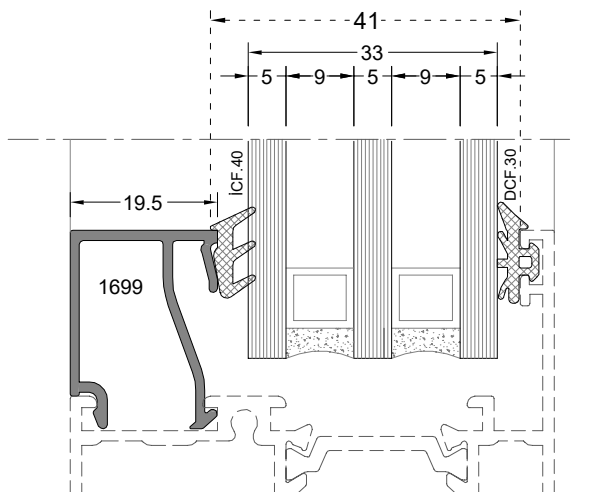
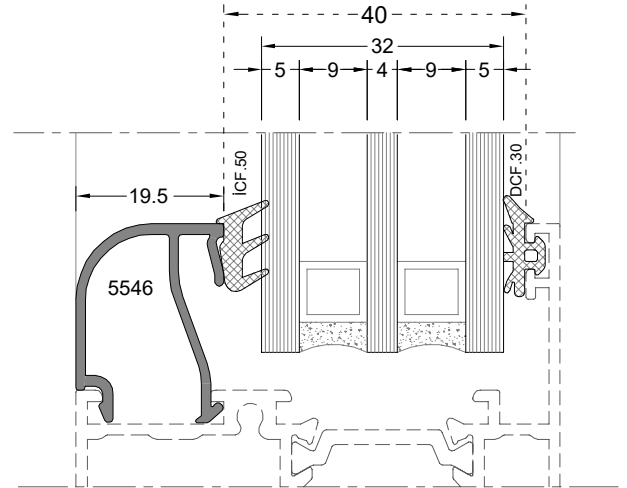
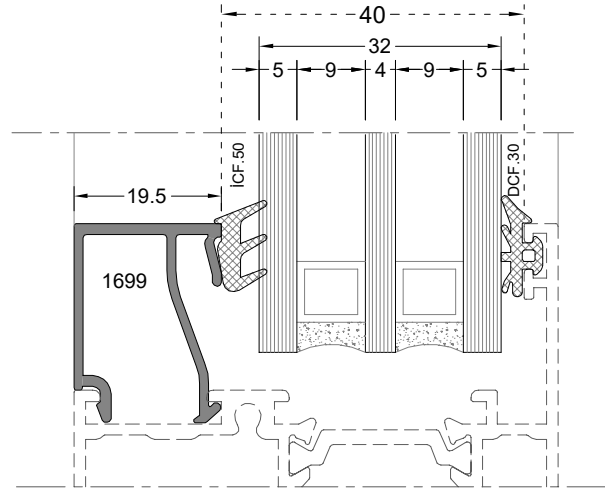
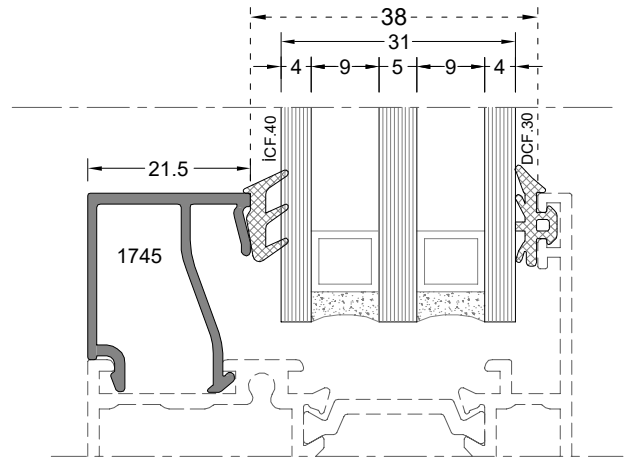
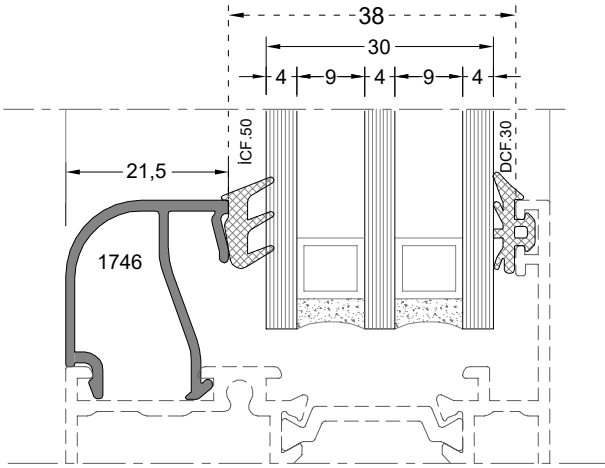
| CAM ÇİTASI GLAZING BEAD | CAM ÇİTASI UZUNLUĞU GLAZING BEAD LENGTH | İÇ CAM FİTİLİ GLAZING GASKET(inside) | CAM KALINLIĞI GLASS THICKNESS | DIŞ CAM FİTİLİ GLAZING GASKET(outside) |
|----------------------------|--|---|----------------------------------|---|
| (G) | (L) | (İ) | (T) | (O) |
| 5527 | 25,5 mm | İCF.30 | 28 mm | DCF.30 |
| 1745 | 21,5 mm | İCF.50 | 29 mm | DCF.45 |
| 1745 | 21,5 mm | İCF.50 | 30 mm | DCF.30 |
| 1746 | 21,5 mm | İCF.50 | 30 mm | DCF.30 |
| 1745 | 21,5 mm | İCF.40 | 31 mm | DCF.30 |
| 1699 | 19,5 mm | İCF.50 | 32 mm | DCF.30 |
| 5546 | 19,5 mm | İCF.50 | 32 mm | DCF.30 |
| 1699 | 19,5 mm | İCF.40 | 33 mm | DCF.30 |
| 1699 | 19,5 mm | İCF.30 | 34 mm | DCF.30 |
| 3539 | 17 mm | İCF.40 | 35 mm | DCF.30 |
| 3539 | 17 mm | İCF.30 | 36 mm | DCF.30 |
| 1698 | 13,5 mm | İCF.50 | 37 mm | DCF.45 |
| 1698 | 13,5 mm | İCF.50 | 38 mm | DCF.30 |
| 1698 | 13,5 mm | İCF.40 | 39 mm | DCF.30 |
| 1698 | 13,5 mm | İCF.30 | 40 mm | DCF.30 |
| | | | | |
| | | | | |
| | | | | |
| | | | | |
| | | | | |
| | | | | |
| | | | | |
| | | | | |

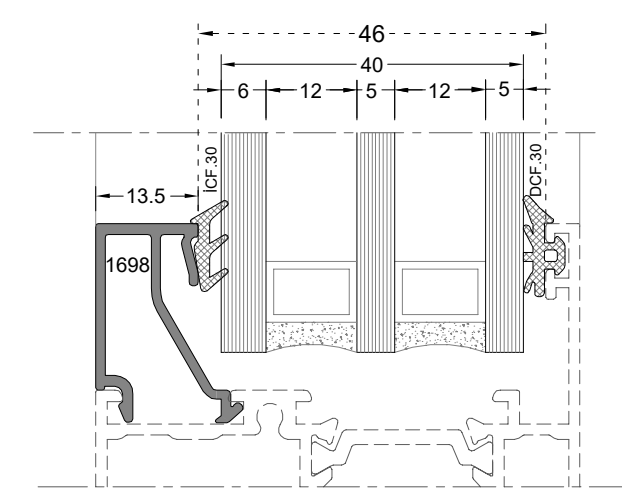
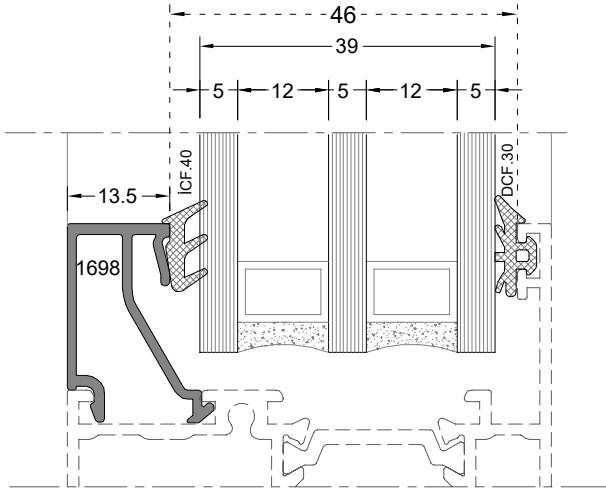
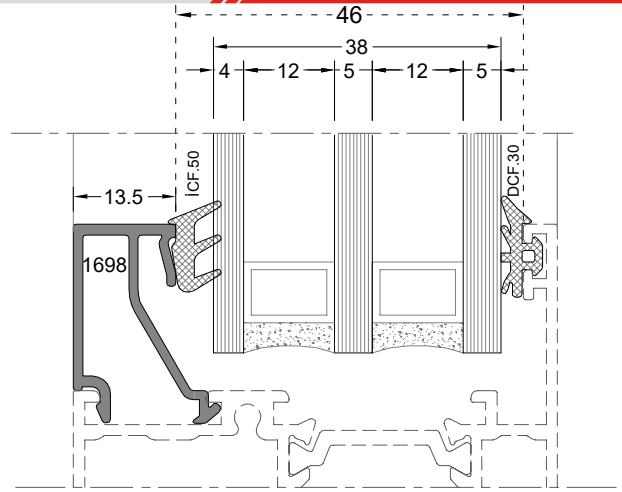
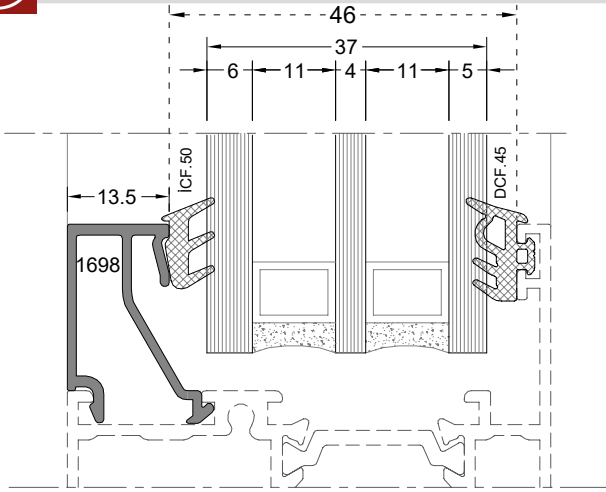


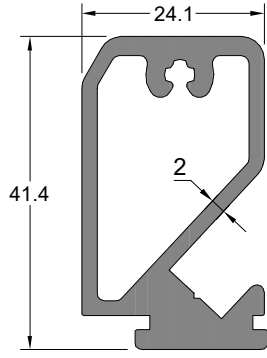




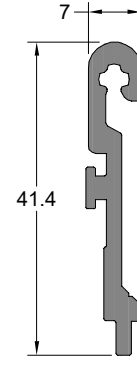






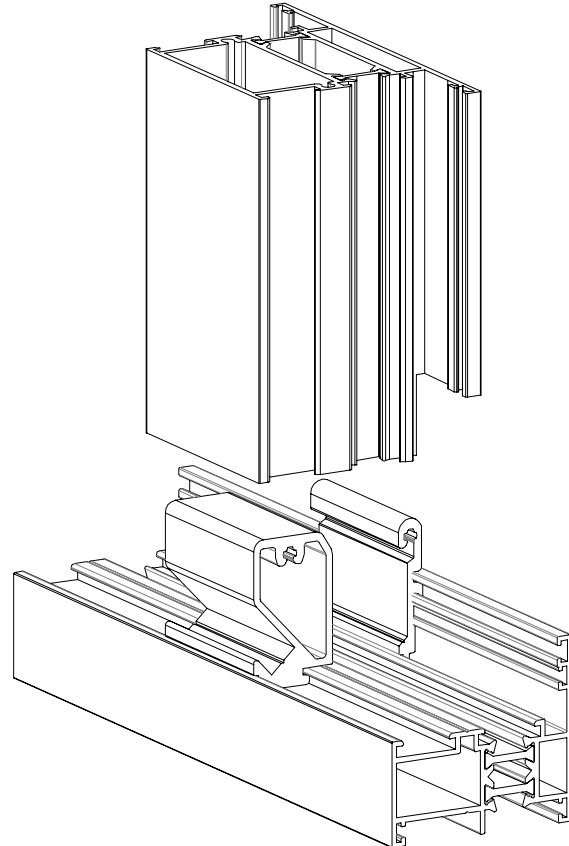
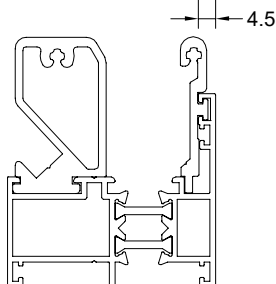
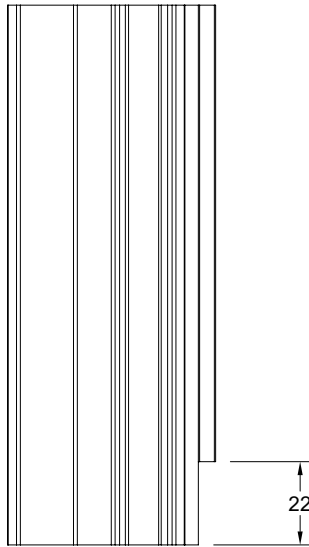


| | | |
|--|-------------------------------------|----------------------------|
| Orta Kayıt Bağlantı Profil MULLION CONNECTION PROFILE | Profil Kodu Profile Code 1773 | (kg/mt) Weight 0,985 |
|--|-------------------------------------|----------------------------|

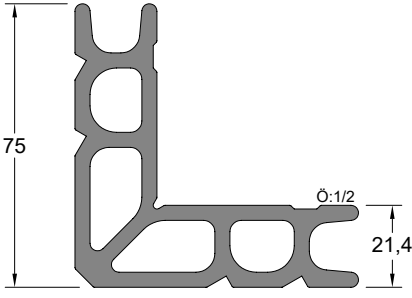


| | | |
|--|-------------------------------------|----------------------------|
| Orta Kayıt Bağlantı Profil MULLION CONNECTION PROFILE | Profil Kodu Profile Code 1774 | (kg/mt) Weight 0,365 |
|--|-------------------------------------|----------------------------|

| Orta Kayıt Bağlantı Profil Kodu Mullion Connection Profile Code | Stok Kodu Reference Code | | Kullanıldığı Profil Compatible Profile | Kesim Boyu (mm) Cutting Length (mm) |
|--|-----------------------------|-----------------|---|--|
| 1773 1774 | OKB-1773-140 | OKB-1774-140 | 1700-1716 | 14,00 mm |
| | OKB-1773-140 | OKB-1774-140 | 1702-1761 | 14,00 mm |
| | OKB-1773-144 | OKB-1774-144 | 3577-3576 | 14,40 mm |
| | OKB-1773-144 | OKB-1774-144 | 3579-3578 | 14,40 mm |
| | OKB-1773-215 | OKB-1774-215 | 1640-1641 | 21,50 mm |
| | OKB-1773-215 | OKB-1774-215 | 6500-6501 | 21,50 mm |
| | OKB-1773-229 | OKB-1774-229 | 5565-5564 | 22,90 mm |
| | OKB-1773-229 | OKB-1774-229 | 5567-5566 | 22,90 mm |
| | OKB-1773-284 | OKB-1774-284 | 3638-3637 | 28,40 mm |
| | OKB-1773-284 | OKB-1774-284 | 3640-3639 | 28,40 mm |
| | OKB-1773-285 | OKB-1774-285 | 1704-1717 | 28,50 mm |
| | OKB-1773-285 | OKB-1774-285 | 1706-1718 | 28,50 mm |
| | OKB-1773-405 | OKB-1774-405 | 1650-1651 | 40,50 mm |
| | OKB-1773-535 | OKB-1774-535 | 4301-4300 | 53,50 mm |
| | OKB-1773-465 | OKB-1774-465 | 5521-5522 | 46,50 mm |
| | OKB-1773-725 | OKB-1774-725 | 1719-1720 | 72,50 mm |
| OKB-1773-285 | OKB-1774-285 | 8007-1718 | 28,50 mm | |
| 1773 | OKB-1773-116,50 | | 9788 | 166,50 mm |
| 1774 | | OKB-1774-131,30 | 9789 | 131,30 mm |

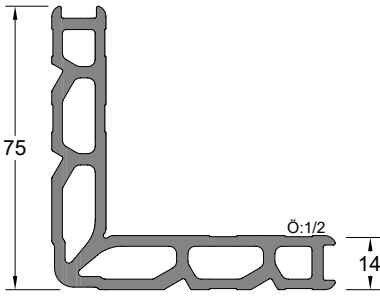


** Her profil için minimum sipariş 300 kg'dır.
 ** Minimum order quantity is 300 kg per profile.



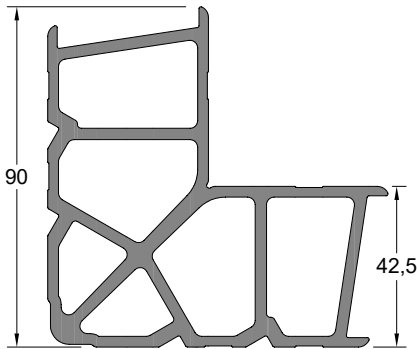
| Köşe Takoz Profili | Profil Kodu | (kg/mt) |
|----------------------|--------------|---------|
| CORNER WEDGE PROFILE | Profile Code | Weight |
| | 1661 | 3,629 |

| Köşe Takozu Profil Kodu | Kullanıldığı Profil | Kesim Boyu (mm) |
|---------------------------|---------------------|---------------------|
| Corner Wedge Profile Code | Compatible Profile | Cutting Length (mm) |
| 1661 | 1642 | 26,30 mm |
| | 1643 | 6,30 mm |
| | 3944 | 25,50 mm |
| | 3945 | 5,50 mm |
| | 6504 | 25,90 mm |
| | 6505 | 5,90 mm |
| | 5150 | 18,00 mm |
| | 5160 | 17,50 mm |
| | 8442 | 35,20 mm |
| | 1640 | 24,00 mm |
| | 1641 | 7,00 mm |
| | 6500 | 24,40 mm |
| | 6501 | 7,40 mm |
| | 12807 | 8,00 mm |
| | 12097 | 17,70 mm |
| 12098 | 5,90 mm | |



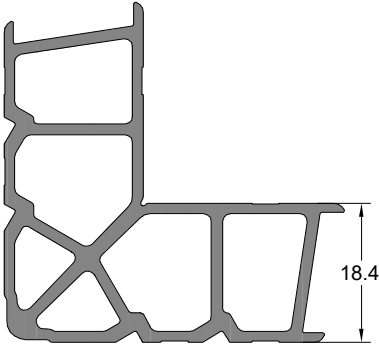
| Köşe Takoz Profili | Profil Kodu | (kg/mt) |
|----------------------|--------------|---------|
| CORNER WEDGE PROFILE | Profile Code | Weight |
| | 1662 | 2,576 |

| Köşe Takozu Profil Kodu | Kullanıldığı Profil | Kesim Boyu (mm) |
|---------------------------|---------------------|---------------------|
| Corner Wedge Profile Code | Compatible Profile | Cutting Length (mm) |
| 1662 | 1700 , 1937 | 25,00 mm |
| | 1701 | 13,00 mm |
| | 1702 | 24,00 mm |
| | 1703 | 12,00 mm |
| | 1768,1716,1936 | 8,00 mm |
| | 1770 , 1761 | 7,00 mm |
| | 1933 | 47,20 mm |
| | 1932 | 25,20 mm |
| | 1974 , 3578 | 7,40 mm |
| | 1975 , 3579 | 24,40 mm |
| | 1708 | 26,50 mm |
| | 1709 | 6,50 mm |
| | 1710 | 25,50 mm |
| | 1711 | 5,50 mm |
| | 3550 | 26,70 mm |
| | 3551 | 6,70 mm |
| | 3558 | 26,50 mm |
| | 3559 | 6,50 mm |
| | 3560 , 6502 | 25,90 mm |
| | 3561 , 6503 | 5,90 mm |
| 3576 | 8,20 mm | |
| 3577 | 25,20 mm | |



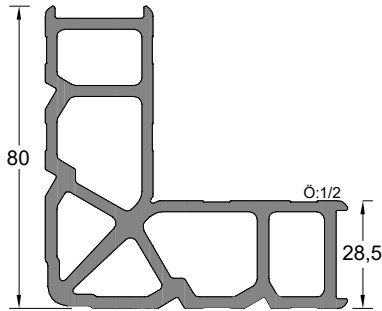
| Köşe Takoz Profili | Profil Kodu | (kg/mt) |
|----------------------|--------------|---------|
| CORNER WEDGE PROFILE | Profile Code | Weight |
| | 597 | 4,241 |

| Köşe Takozu Profil Kodu | Kullanıldığı Profil | Kesim Boyu (mm) |
|---------------------------|---------------------|---------------------|
| Corner Wedge Profile Code | Compatible Profile | Cutting Length (mm) |
| 597 | 5526 | 5,90 mm |



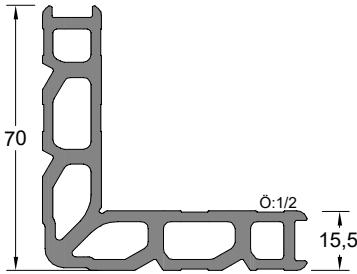
| Köşe Takoz Profili CORNER WEDGE PROFILE | Profil Kodu Profile Code | (kg/mt) Weight |
|--|-----------------------------|-------------------|
| | 1664 | 3,991 |

| Köşe Takozu Profil Kodu Corner Wedge Profile Code | Kullanıldığı Profil Compatible Profile | Kesim Boyu (mm) Cutting Length (mm) |
|--|---|--|
| 1664 | 1737 | 7,40 mm |
| | 1738 | 21,00 mm |
| | 1740 | 29,40 mm |



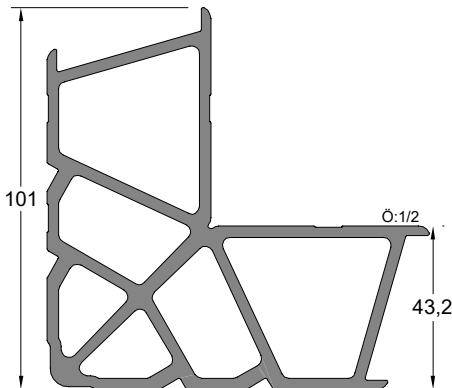
| Köşe Takoz Profili CORNER WEDGE PROFILE | Profil Kodu Profile Code | (kg/mt) Weight |
|--|-----------------------------|-------------------|
| | 1663 | 3,526 |

| Köşe Takozu Profil Kodu Corner Wedge Profile Code | Kullanıldığı Profil Compatible Profile | Kesim Boyu (mm) Cutting Length (mm) |
|--|---|--|
| 1663 | 1704,1973,5393 | 25,00 mm |
| | 1705 | 13,00 mm |
| | 1706 , 2288 | 24,00 mm |
| | 1707 | 12,00 mm |
| | 1769,1717,1718,1972 | 8,00 mm |
| | 1771 | 7,00 mm |
| | 7110,3640 | 24,40 mm |
| | 7111 | 7,40 mm |
| | 1707 | 12,00 mm |
| | 3566 | 25,90 mm |
| | 1713,3565,1728 | 6,50 mm |
| | 1714 | 25,50 mm |
| | 1715 | 5,50 mm |
| | 3567 | 5,90 mm |
| | 1739,3639 | 7,40 mm |
| | 3638 | 25,20 mm |
| | 3637 | 8,20 mm |
| 3564,1712,1729 | 26,5 mm | |
| 8443 | 5,7 mm | |



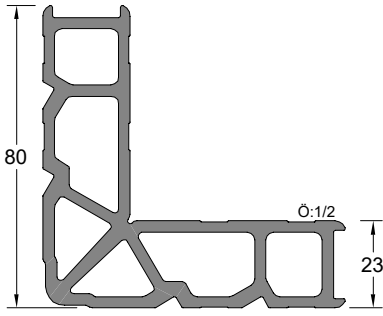
| Köşe Takoz Profili CORNER WEDGE PROFILE | Profil Kodu Profile Code | (kg/mt) Weight |
|--|-----------------------------|-------------------|
| | 1695 | 2,540 |

| Köşe Takozu Profil Kodu Corner Wedge Profile Code | Kullanıldığı Profil Compatible Profile | Kesim Boyu (mm) Cutting Length (mm) |
|--|---|--|
| 1695 | 5568 | 36,20 mm |
| | 5570 | 35,20 mm |
| | 5573 | 26,70 mm |
| | 5571 | 18,00 mm |
| | 5588 | 17,70 mm |
| | 5130 | 25,00 mm |
| | 5131 | 8,00 mm |
| | 1763 | 17,5 mm |
| | 1762 | 8,00 mm |

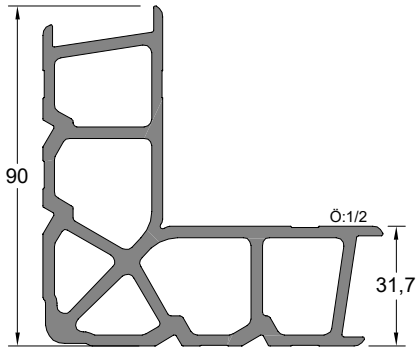


| Köşe Takoz Profili CORNER WEDGE PROFILE | Profil Kodu Profile Code | (kg/mt) Weight |
|--|-----------------------------|-------------------|
| | 3698 | 4,604 |

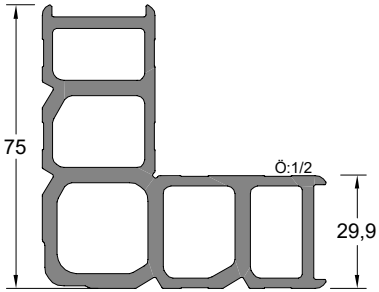
| Köşe Takozu Profil Kodu Corner Wedge Profile Code | Kullanıldığı Profil Compatible Profile | Kesim Boyu (mm) Cutting Length (mm) |
|--|---|--|
| 3698 | 5162 | 22,50 mm |
| | 5576 | 23,30 mm |
| | 5574 , 5585 | 26,30 mm |



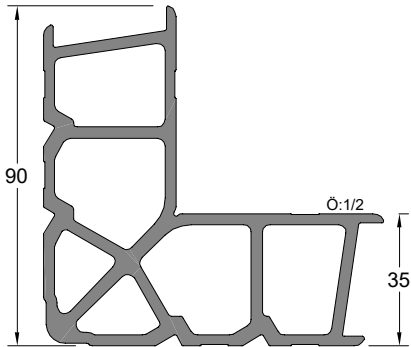
| Köşe Takoz Profili | Profil Kodu | (kg/mt) |
|----------------------|--------------|---------|
| CORNER WEDGE PROFILE | Profile Code | Weight |
| | 3546 | 3,357 |



| Köşe Takoz Profili | Profil Kodu | (kg/mt) |
|----------------------|--------------|---------|
| CORNER WEDGE PROFILE | Profile Code | Weight |
| | 7022 | 3,952 |



| Köşe Takoz Profili | Profil Kodu | (kg/mt) |
|----------------------|--------------|---------|
| CORNER WEDGE PROFILE | Profile Code | Weight |
| | 1696 | 3,340 |



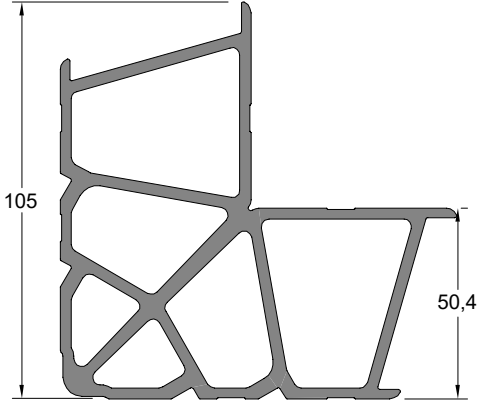
| Köşe Takoz Profili | Profil Kodu | (kg/mt) |
|----------------------|--------------|---------|
| CORNER WEDGE PROFILE | Profile Code | Weight |
| | 7040 | 3,998 |

| Köşe Takozu Profil Kodu | Kullanıldığı Profil | Kesim Boyu (mm) |
|---------------------------|---------------------|---------------------|
| Corner Wedge Profile Code | Compatible Profile | Cutting Length (mm) |
| 3546 | 5551,5565 | 25,20 mm |
| | 5550,2820,5564 | 8,20 mm |
| | 5555 | 16,90 mm |
| | 5553,5567 | 24,40 mm |
| | 5552,5153,5566 | 7,40 mm |
| | 5152 | 24,60 mm |
| | 5159 | 24,50 mm |
| | 3562 | 26,50 mm |
| | 3563 | 6,50 mm |
| | 5556 | 26,70 mm |
| | 5558 | 17,70 mm |
| | 5559,5589 | 5,90 mm |
| | 5569,5572,5557 | 6,70 mm |
| 5554 | 17,70 mm | |

| Köşe Takozu Profil Kodu | Kullanıldığı Profil | Kesim Boyu (mm) |
|---------------------------|---------------------|---------------------|
| Corner Wedge Profile Code | Compatible Profile | Cutting Length (mm) |
| 7022 | 3549 | 24,40 mm |
| | 3548 | 7,40 mm |

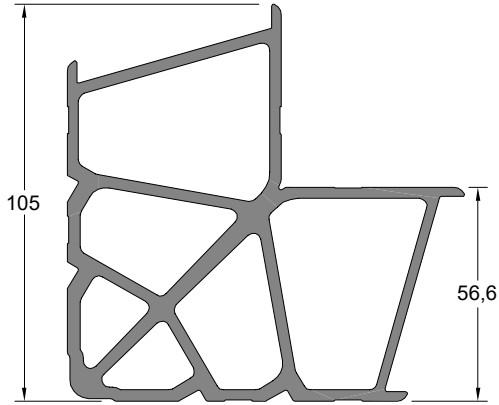
| Köşe Takozu Profil Kodu | Kullanıldığı Profil | Kesim Boyu (mm) |
|---------------------------|---------------------|---------------------|
| Corner Wedge Profile Code | Compatible Profile | Cutting Length (mm) |
| 1696 | 5151 | 6,5 mm |
| | 5161 | 5,5 mm |

| Köşe Takozu Profil Kodu | Kullanıldığı Profil | Kesim Boyu (mm) |
|---------------------------|---------------------|---------------------|
| Corner Wedge Profile Code | Compatible Profile | Cutting Length (mm) |
| 7040 | 5525 | 25,90 mm |



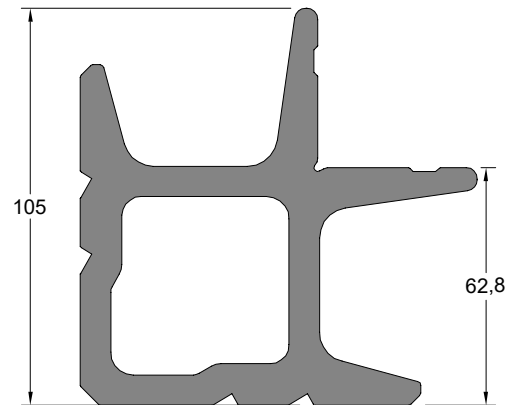
| Köşe Takoz Profili CORNER WEDGE PROFILE | Profil Kodu Profile Code | (kg/mt) Weight |
|--|-----------------------------|-------------------|
| | 3547 | 4,884 |

| Köşe Takozu Profil Kodu Corner Wedge Profile Code | Kullanıldığı Profil Compatible Profile | Kesim Boyu (mm) Cutting Length (mm) |
|--|---|--|
| 3547 | 5163 | 5,50 mm |
| | 5575 | 6,30 mm |
| | 5577 | 6,30 mm |
| | 5586 | 6,30 mm |



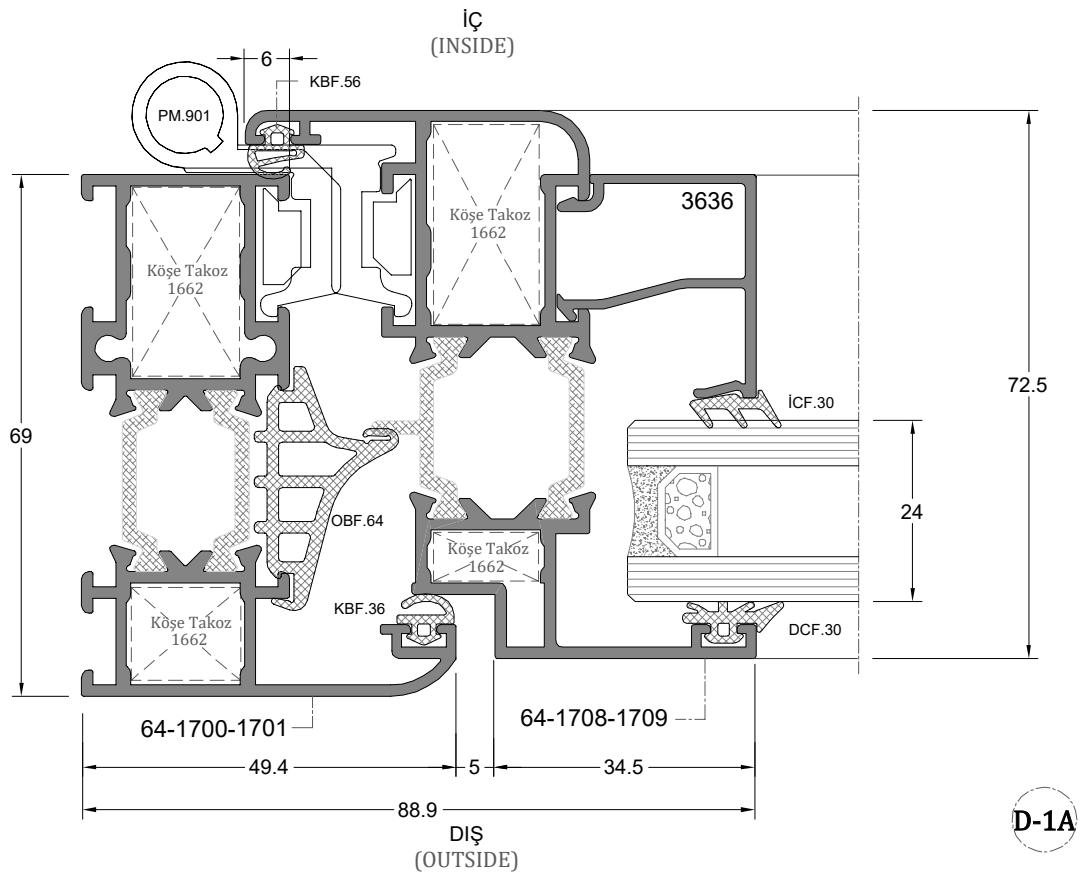
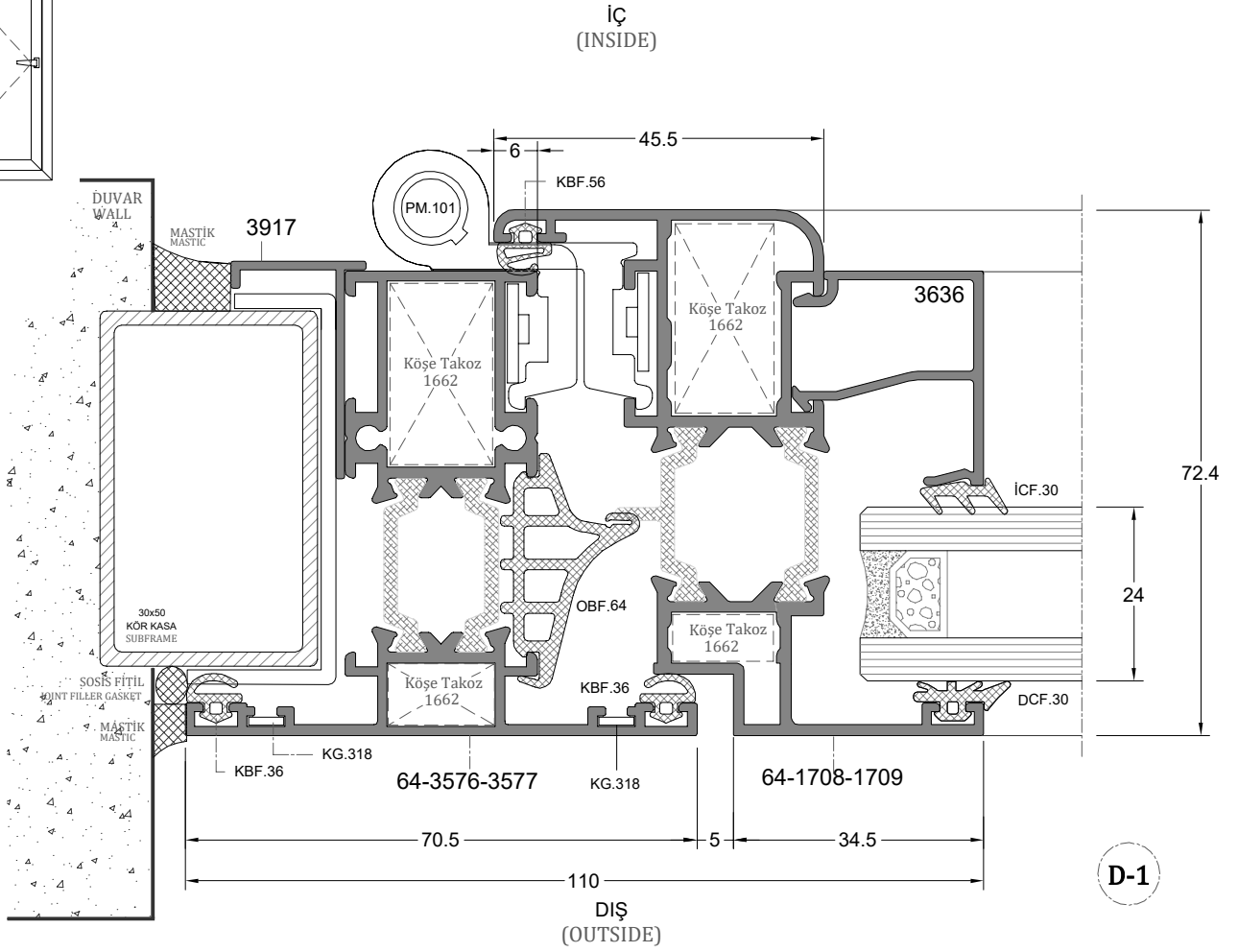
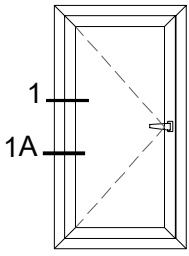
| Köşe Takoz Profili CORNER WEDGE PROFILE | Profil Kodu Profile Code | (kg/mt) Weight |
|--|-----------------------------|-------------------|
| | 1398 | 5,089 |

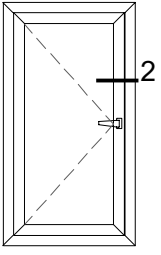
| Köşe Takozu Profil Kodu Corner Wedge Profile Code | Kullanıldığı Profil Compatible Profile | Kesim Boyu (mm) Cutting Length (mm) |
|--|---|--|
| 1398 | 1724 | 25,50 mm |
| | 1725,1951 | 5,50 mm |
| | 3568,4303 | 26,30 mm |
| | 3569,4360,4304 | 6,30 mm |
| | 3570 | 25,90 mm |
| | 3571,3575 | 5,90 mm |
| | 1950 | 22,50 mm |
| | 3574 | 22,90 mm |
| | 4359 | 26,30 mm |
| 1741 | 7,40 mm | |



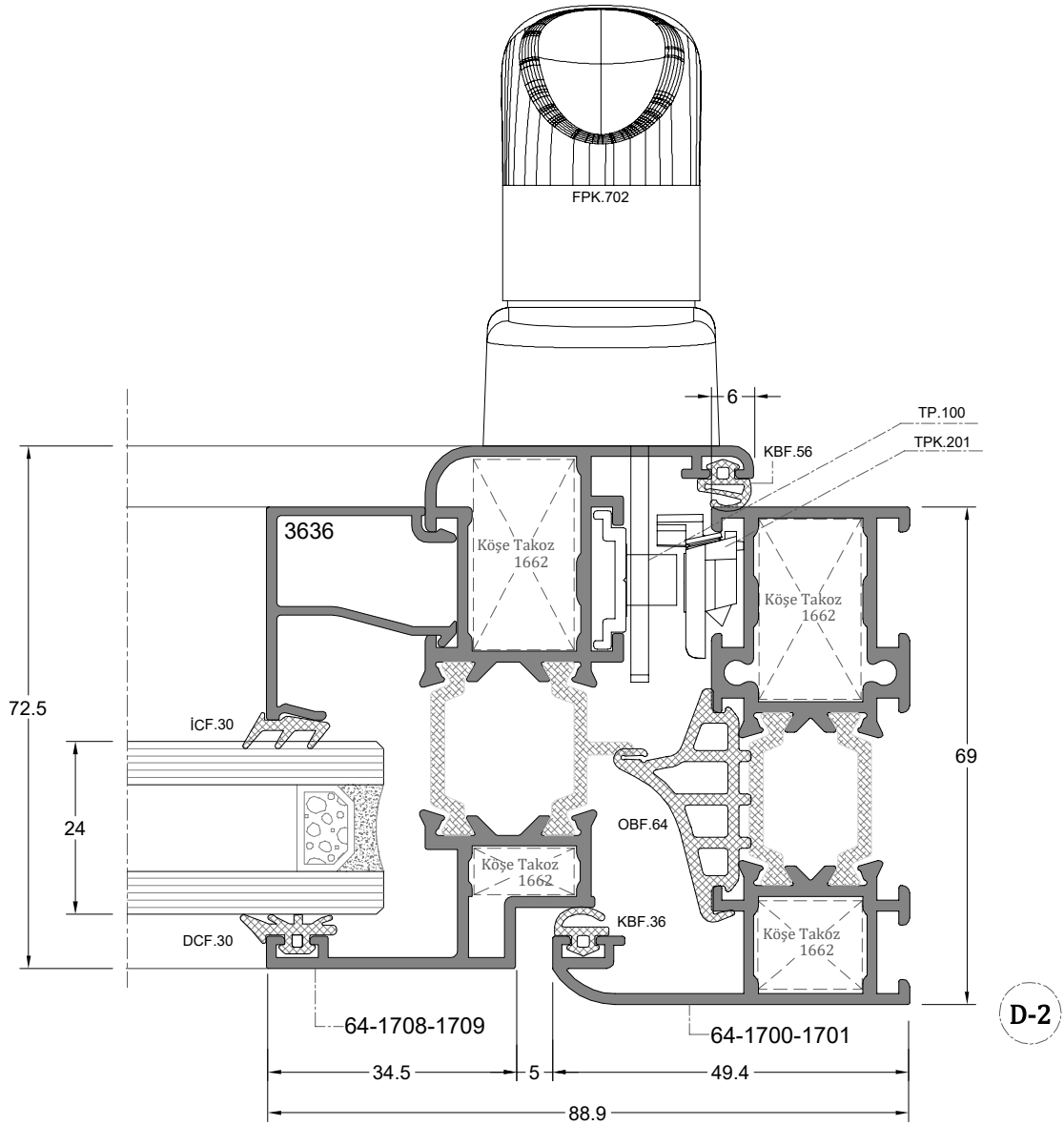
| Köşe Takoz Profili CORNER WEDGE PROFILE | Profil Kodu Profile Code | (kg/mt) Weight |
|--|-----------------------------|-------------------|
| | 1760 | 8,436 |

| Köşe Takozu Profil Kodu Corner Wedge Profile Code | Kullanıldığı Profil Compatible Profile | Kesim Boyu (mm) Cutting Length (mm) |
|--|---|--|
| 1760 | 1744 | 20,9 mm |
| | 1743 | 7,50 mm |
| | 1742 | 29,5 mm |

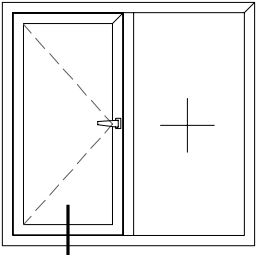




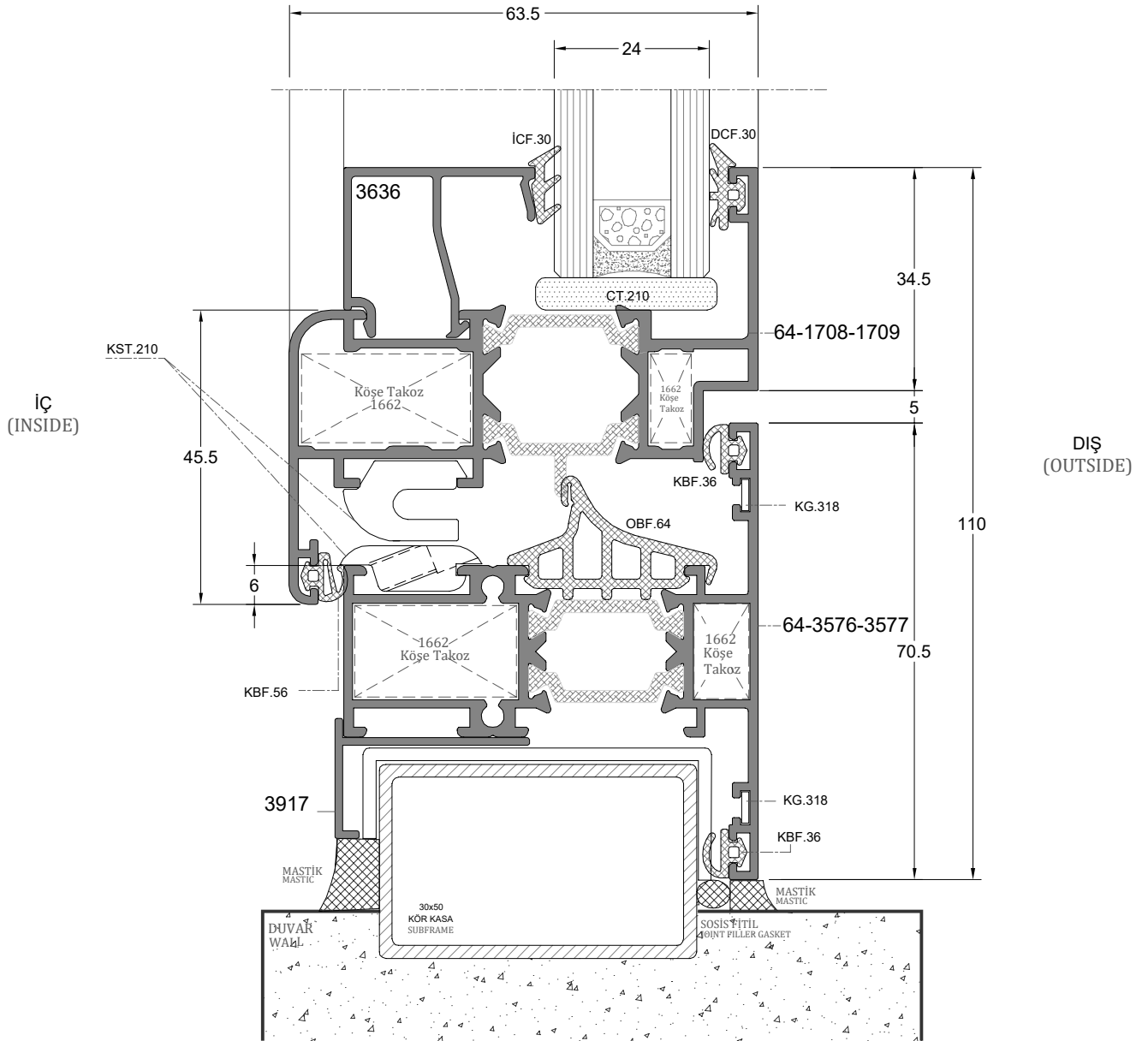
İÇ
(INSIDE)

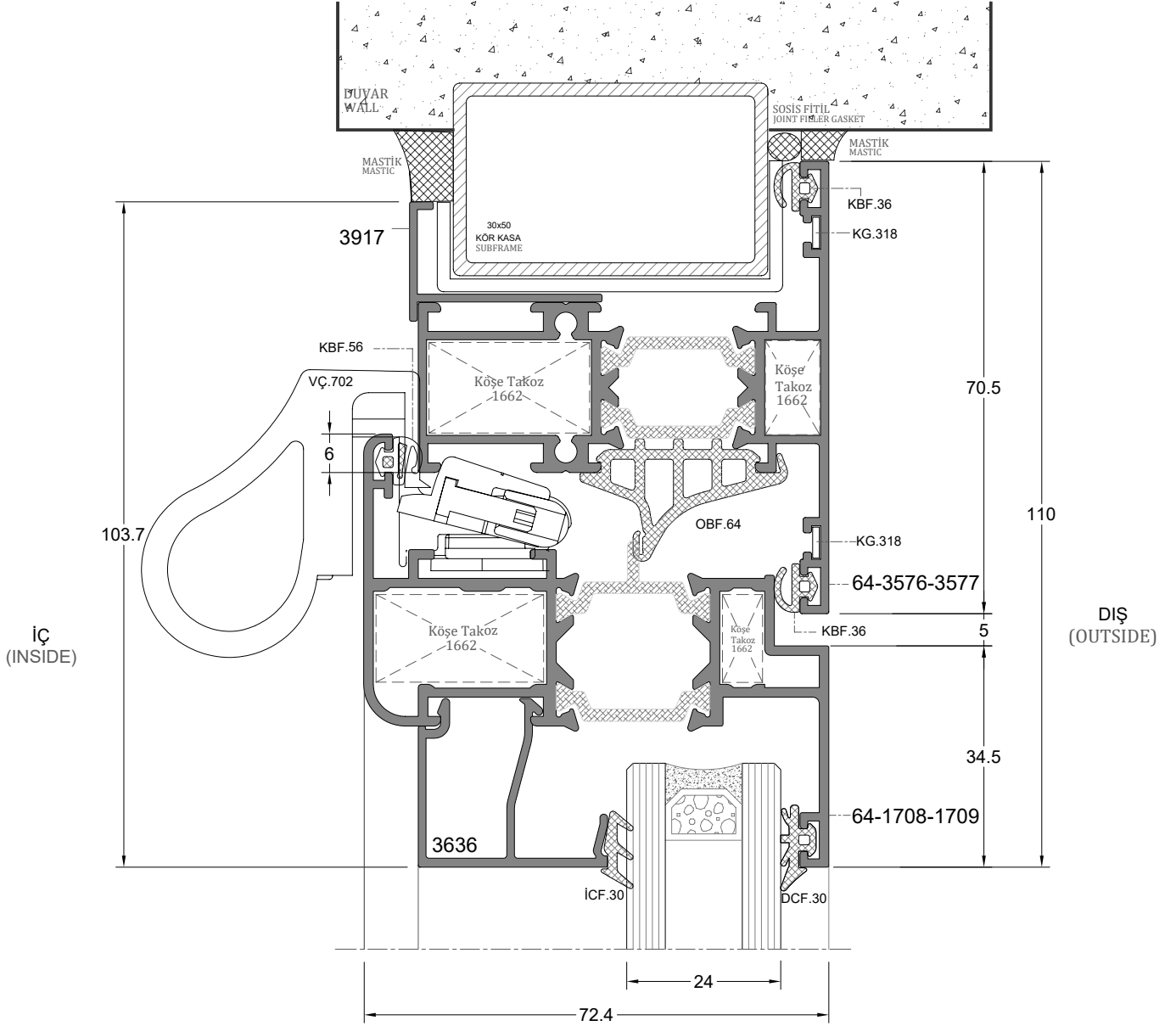
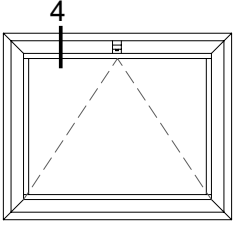


DIŞ
(OUTSIDE)

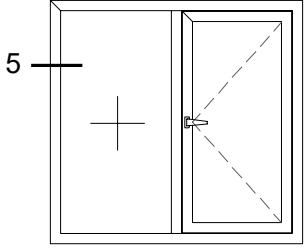


3

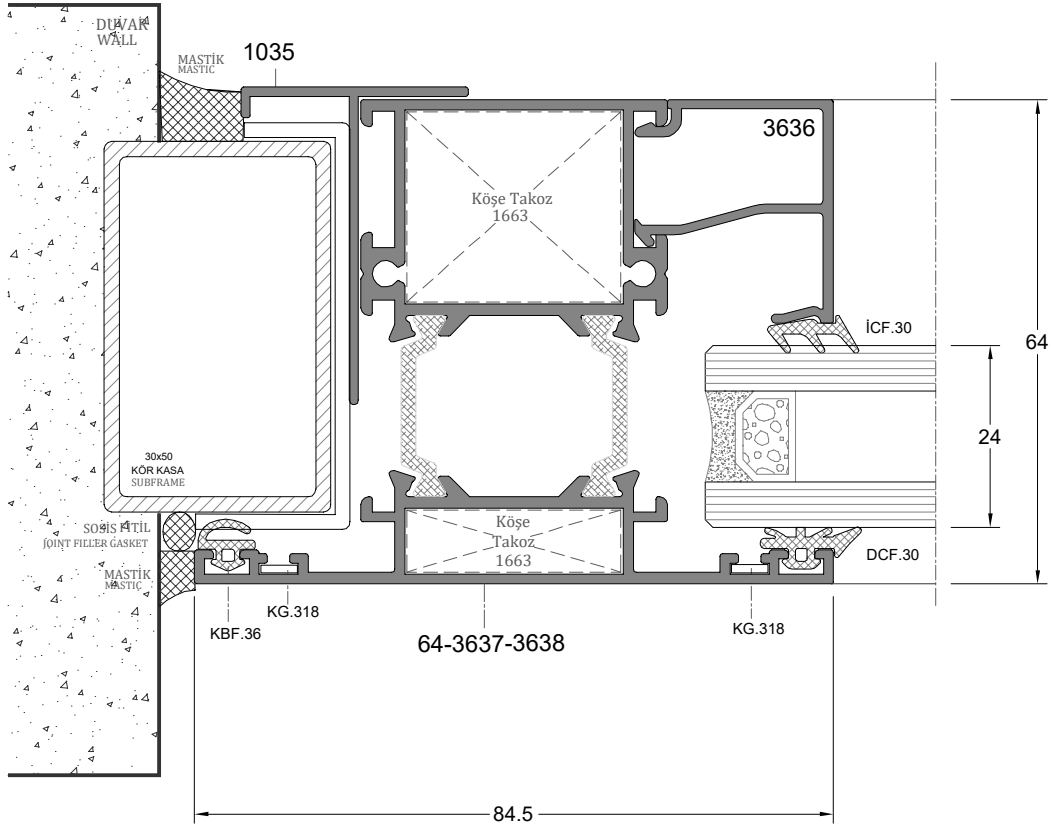




D-4

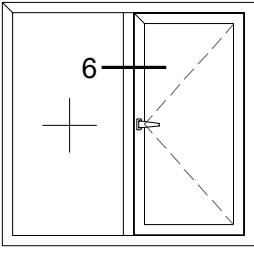


İÇ
(INSIDE)

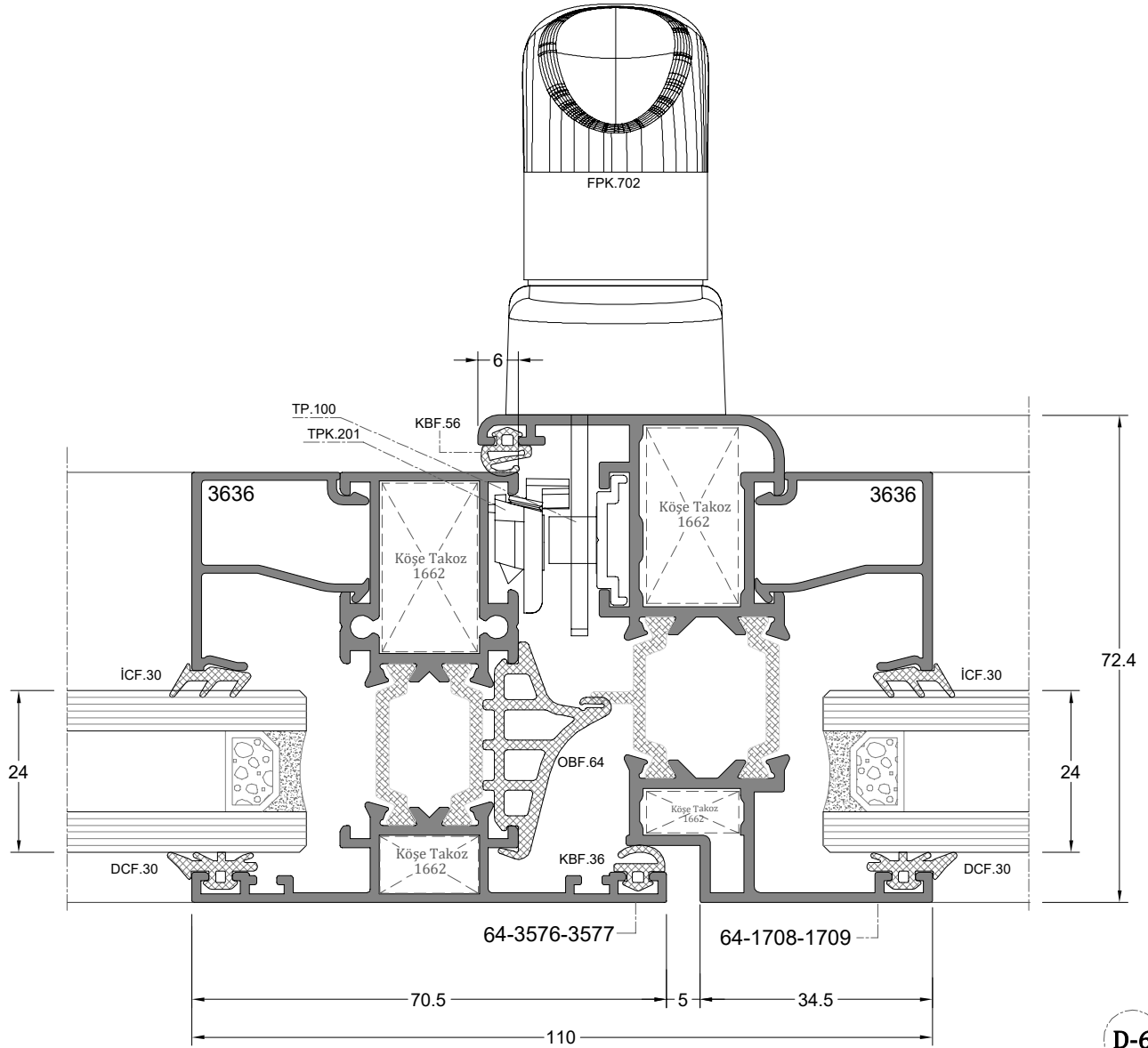


DIŞ
(OUTSIDE)

D-5

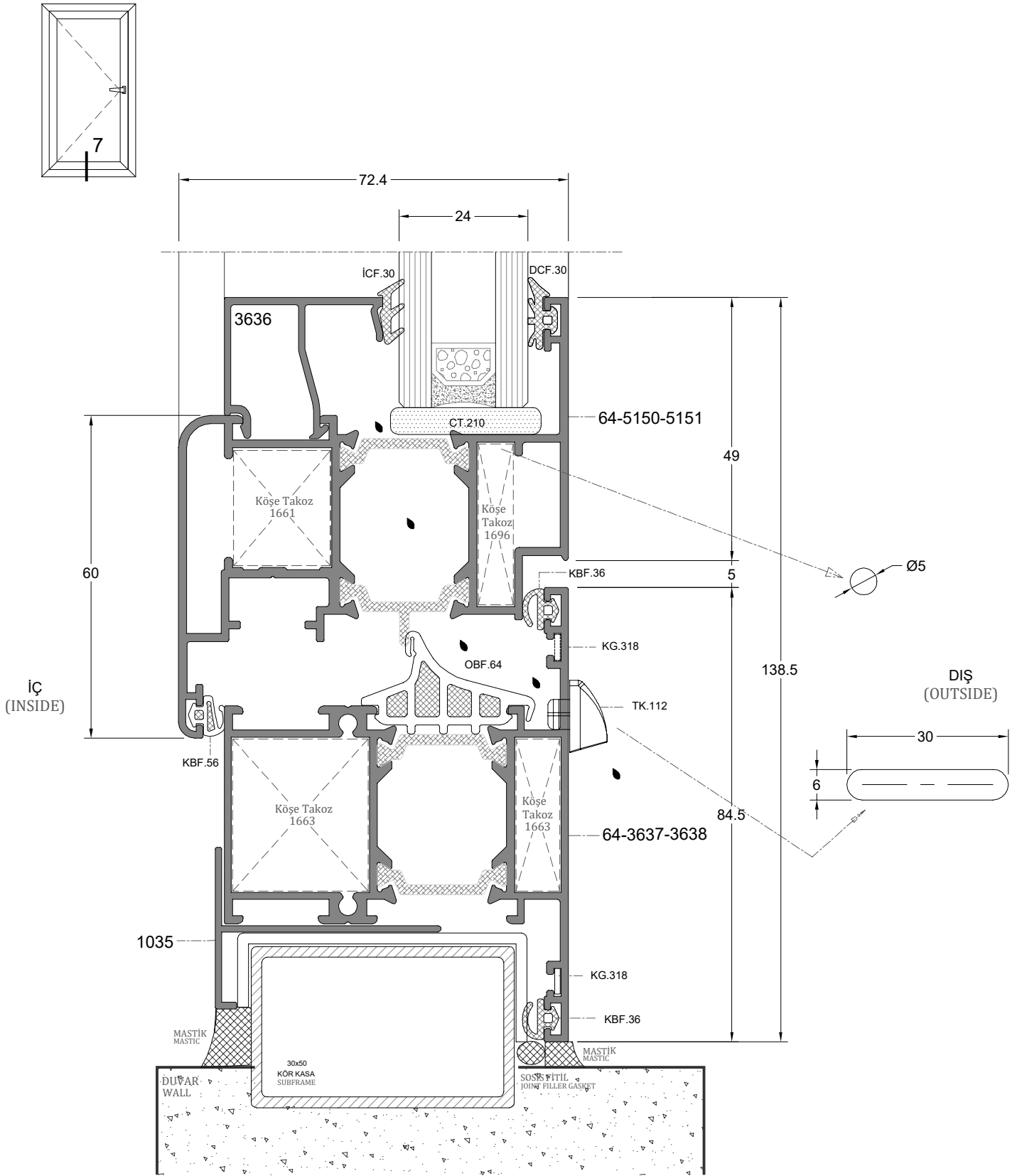


İÇ
(INSIDE)

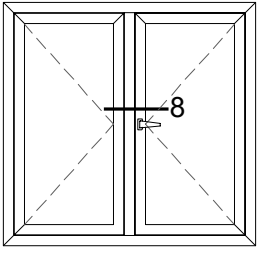


DIŞ
(OUTSIDE)

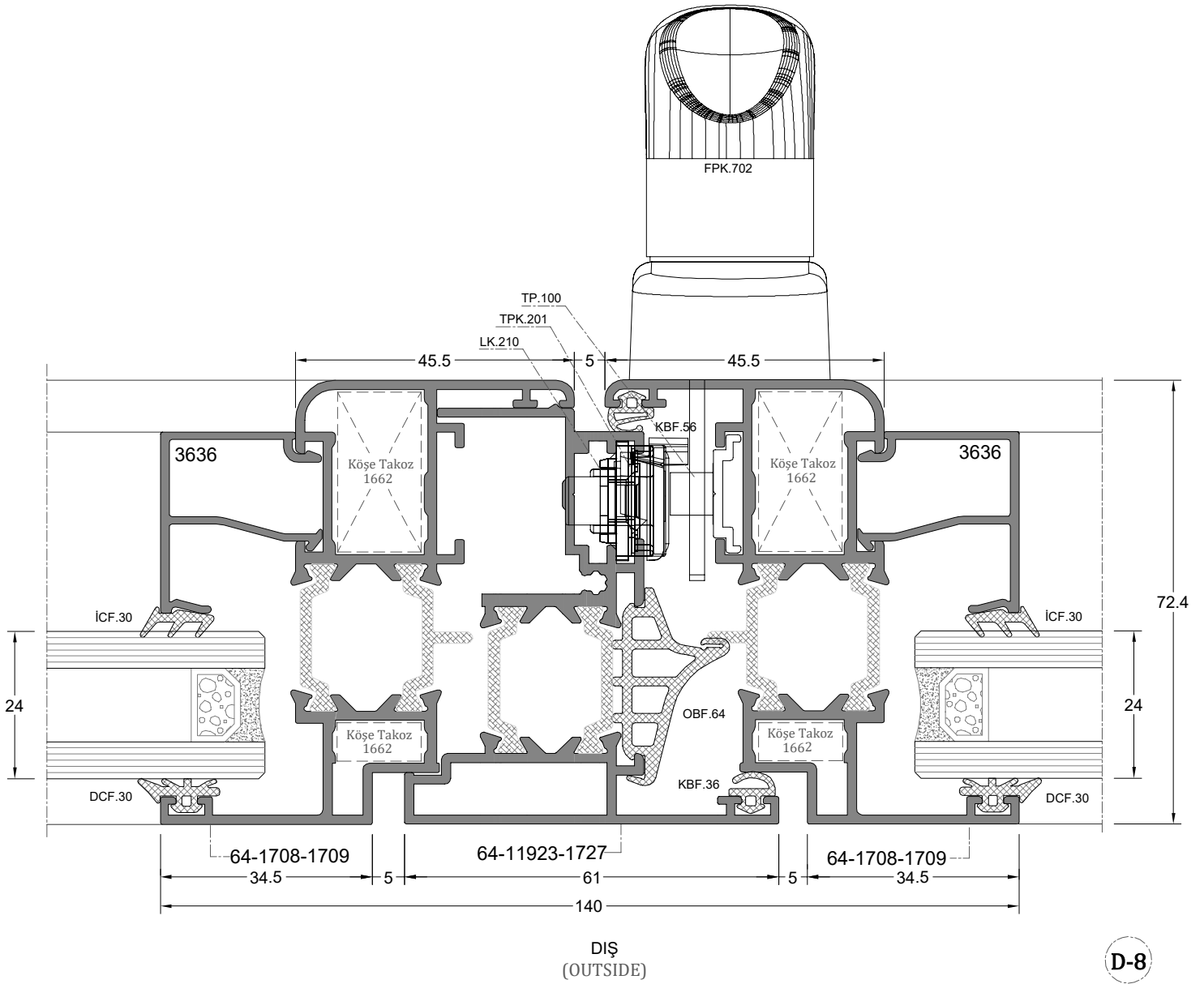
D-6

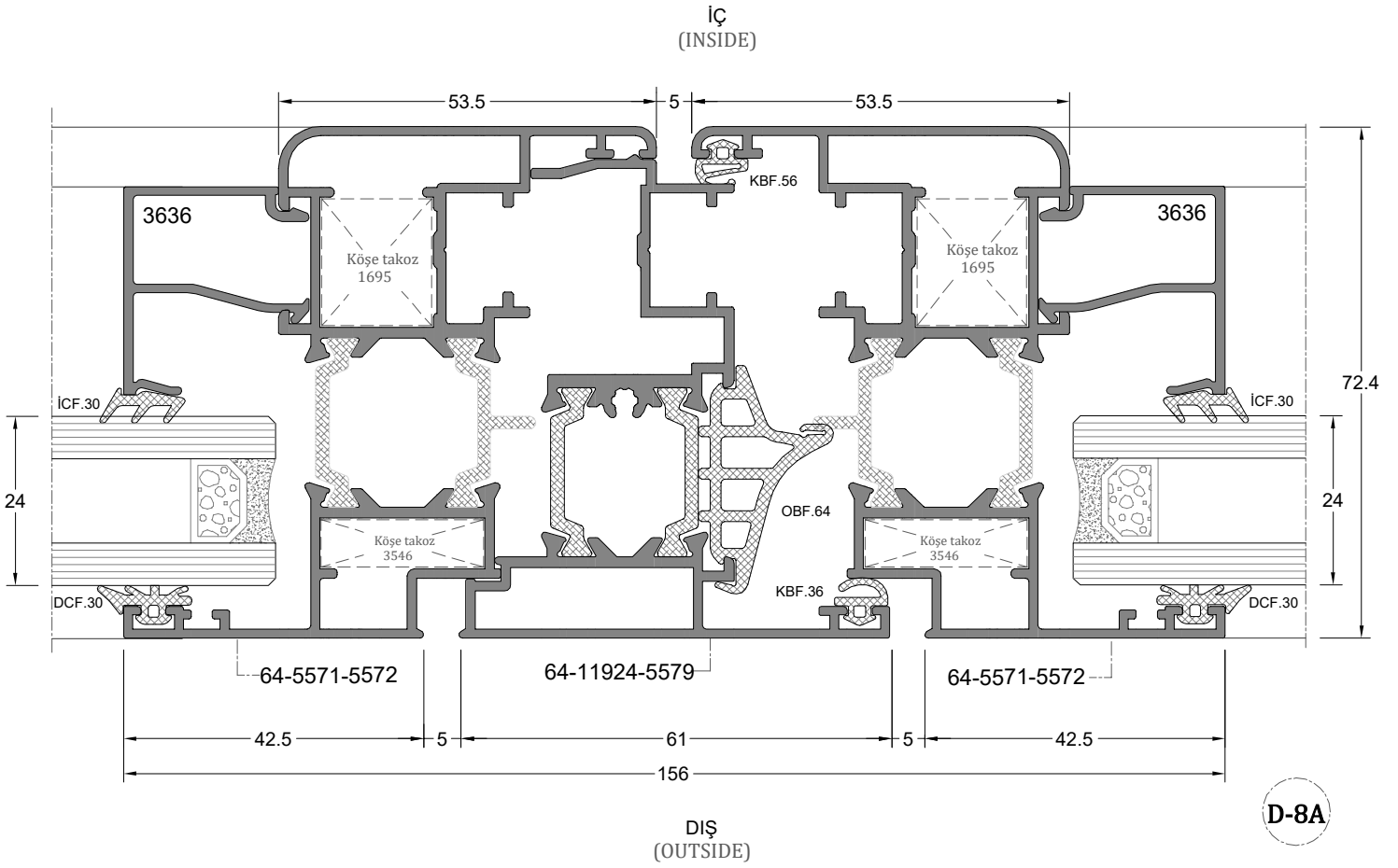
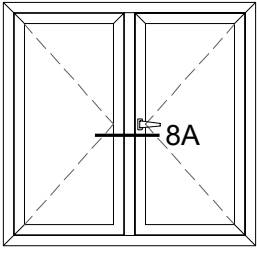


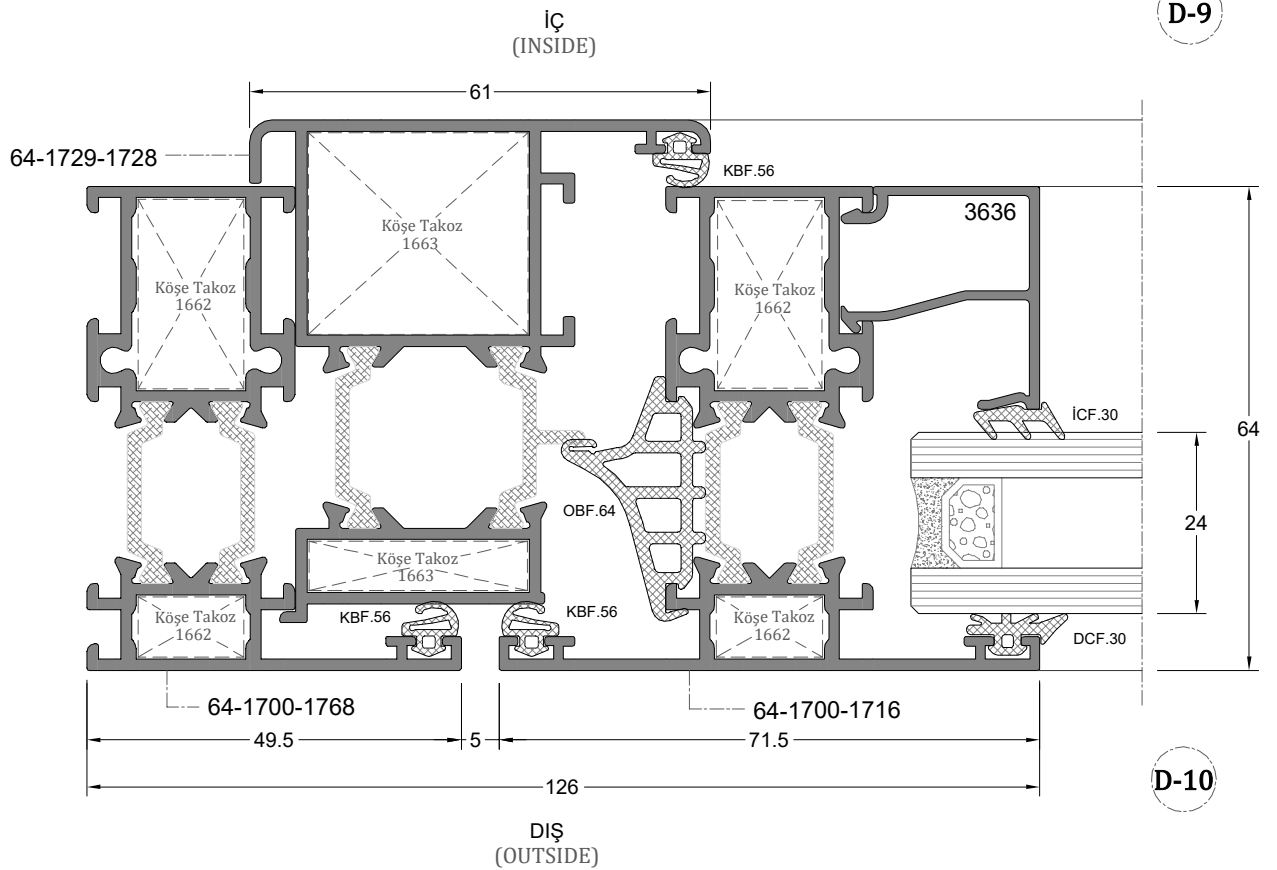
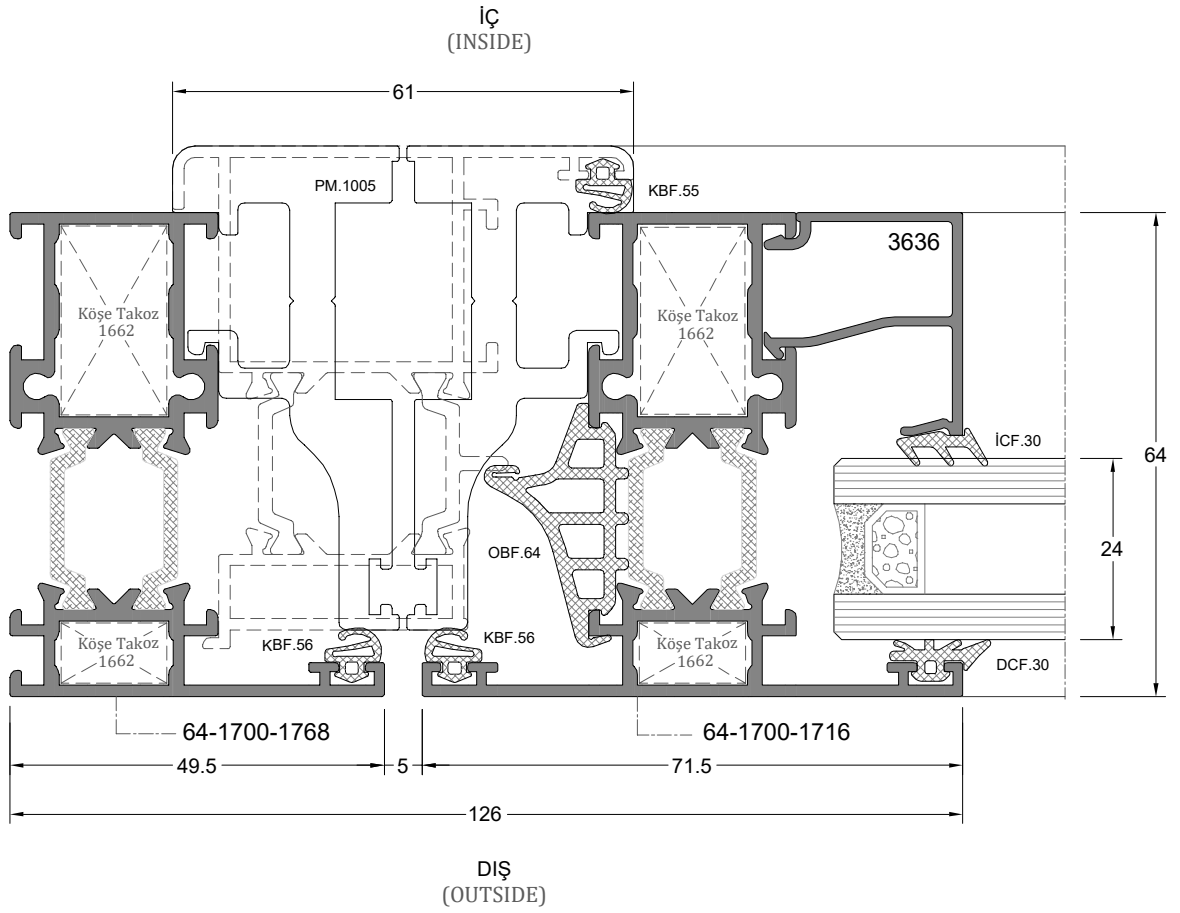
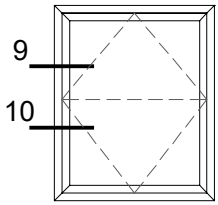
D-7

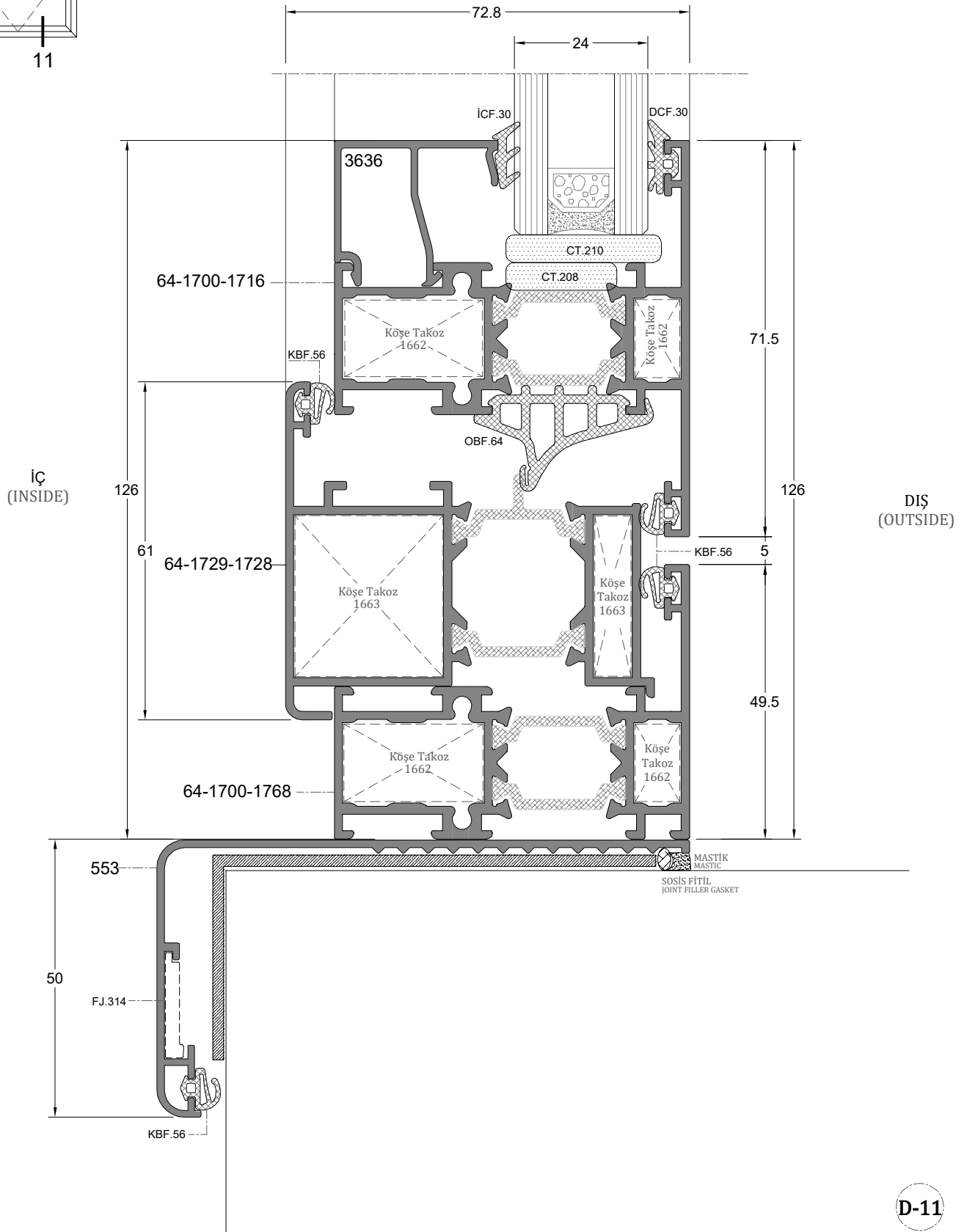
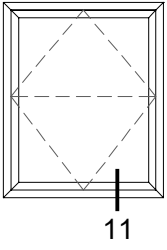


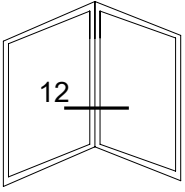
İÇ
(INSIDE)



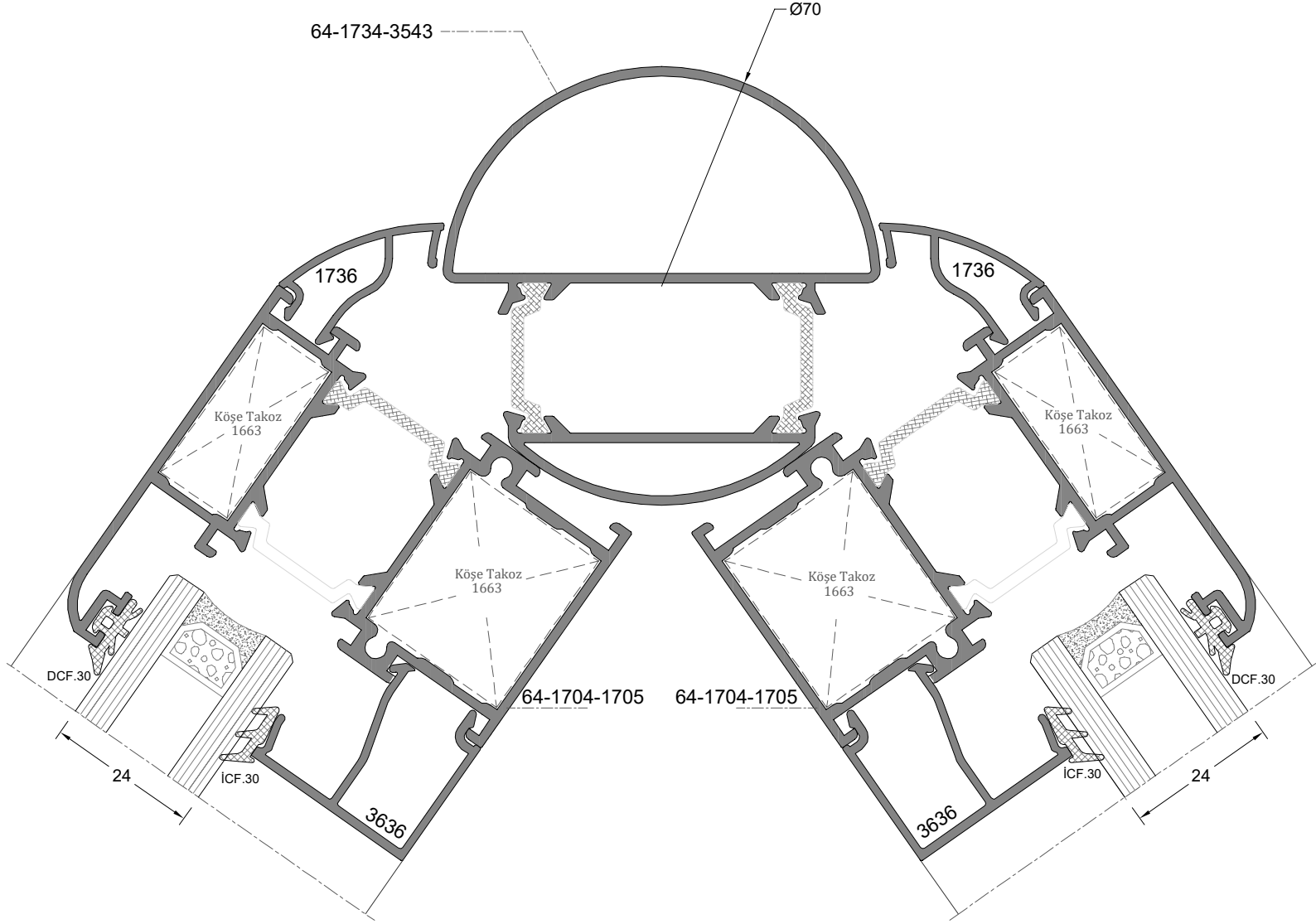






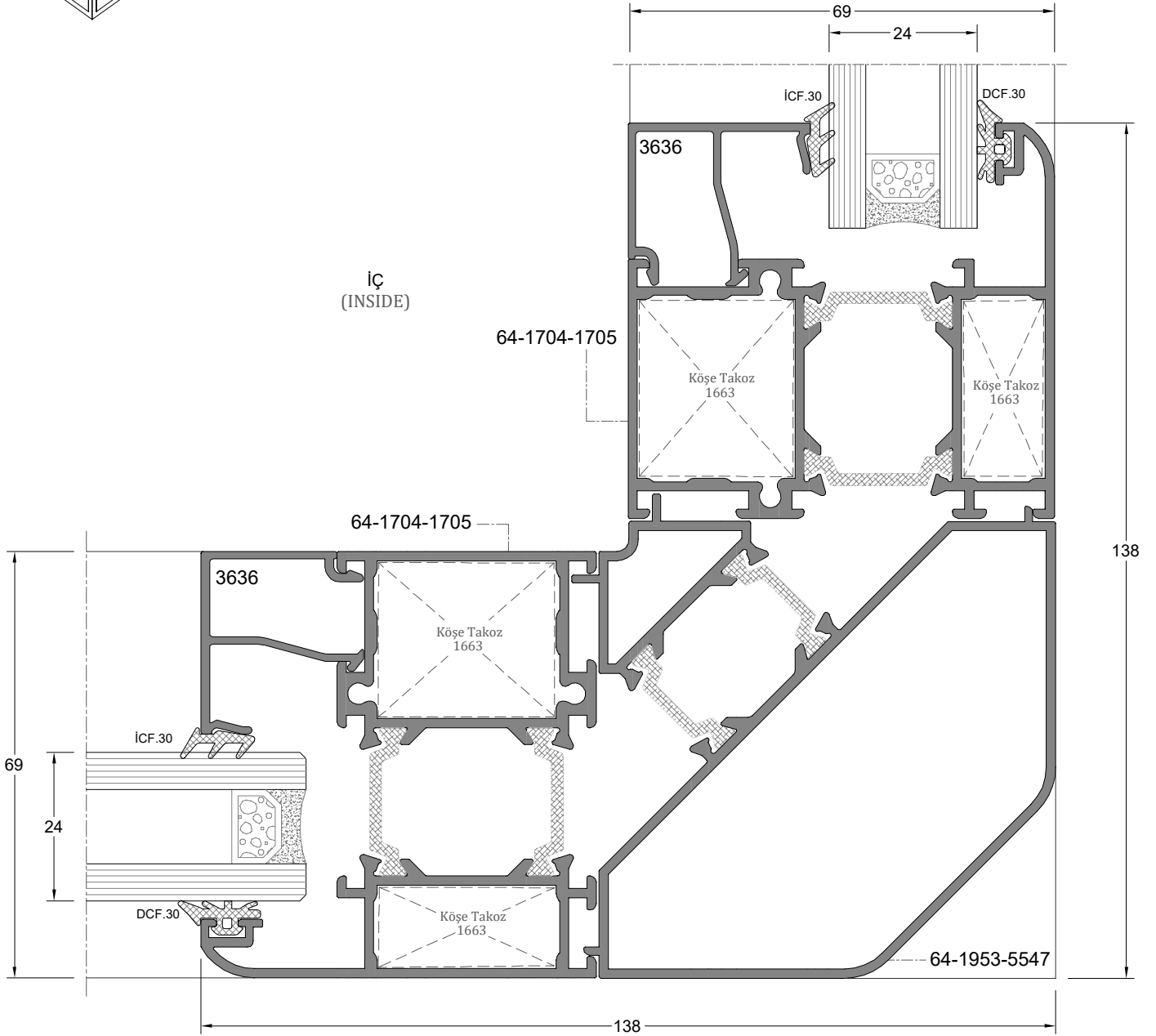
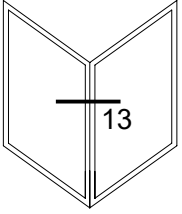


DIŞ
(OUTSIDE)



İÇ
(INSIDE)

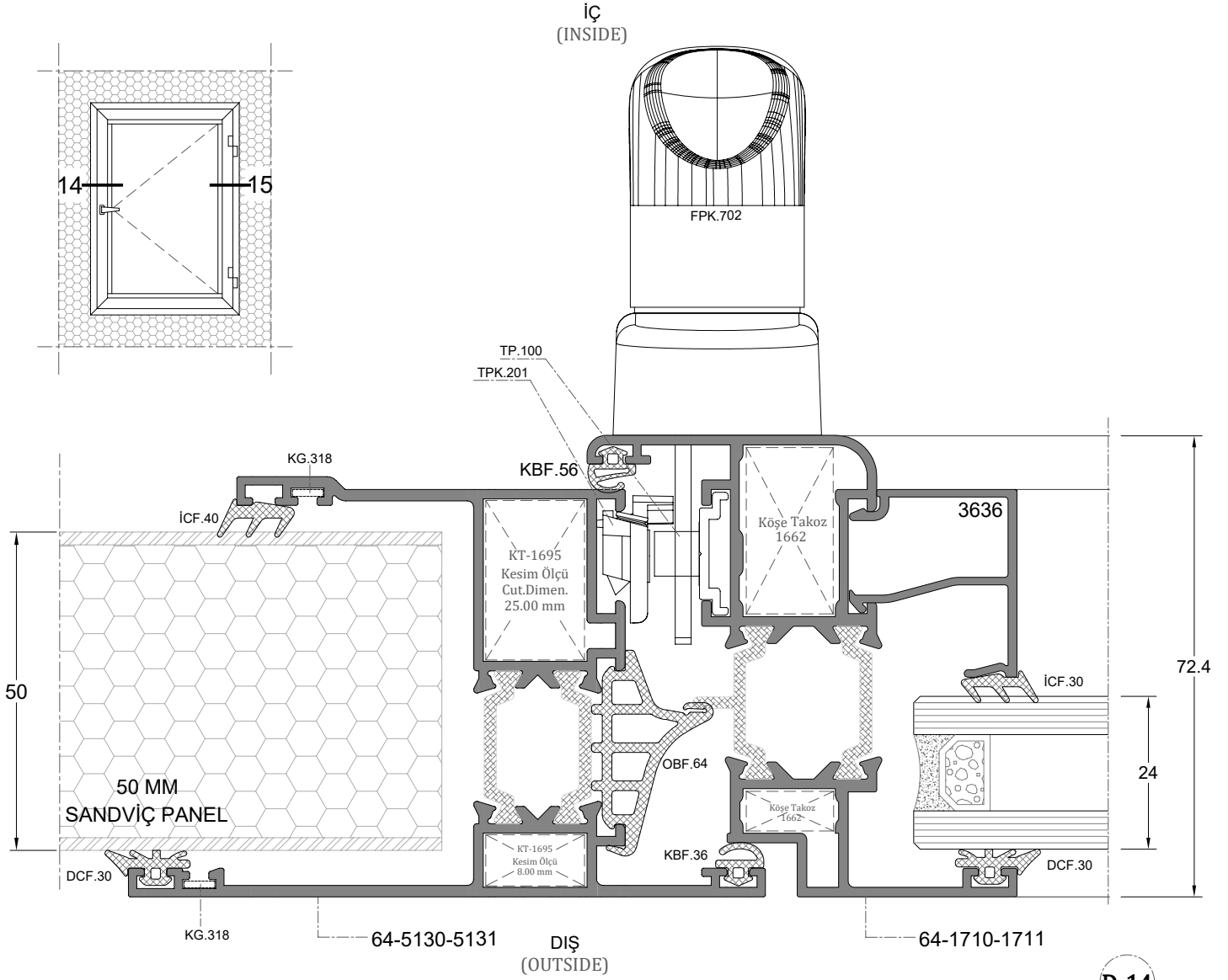
D-12



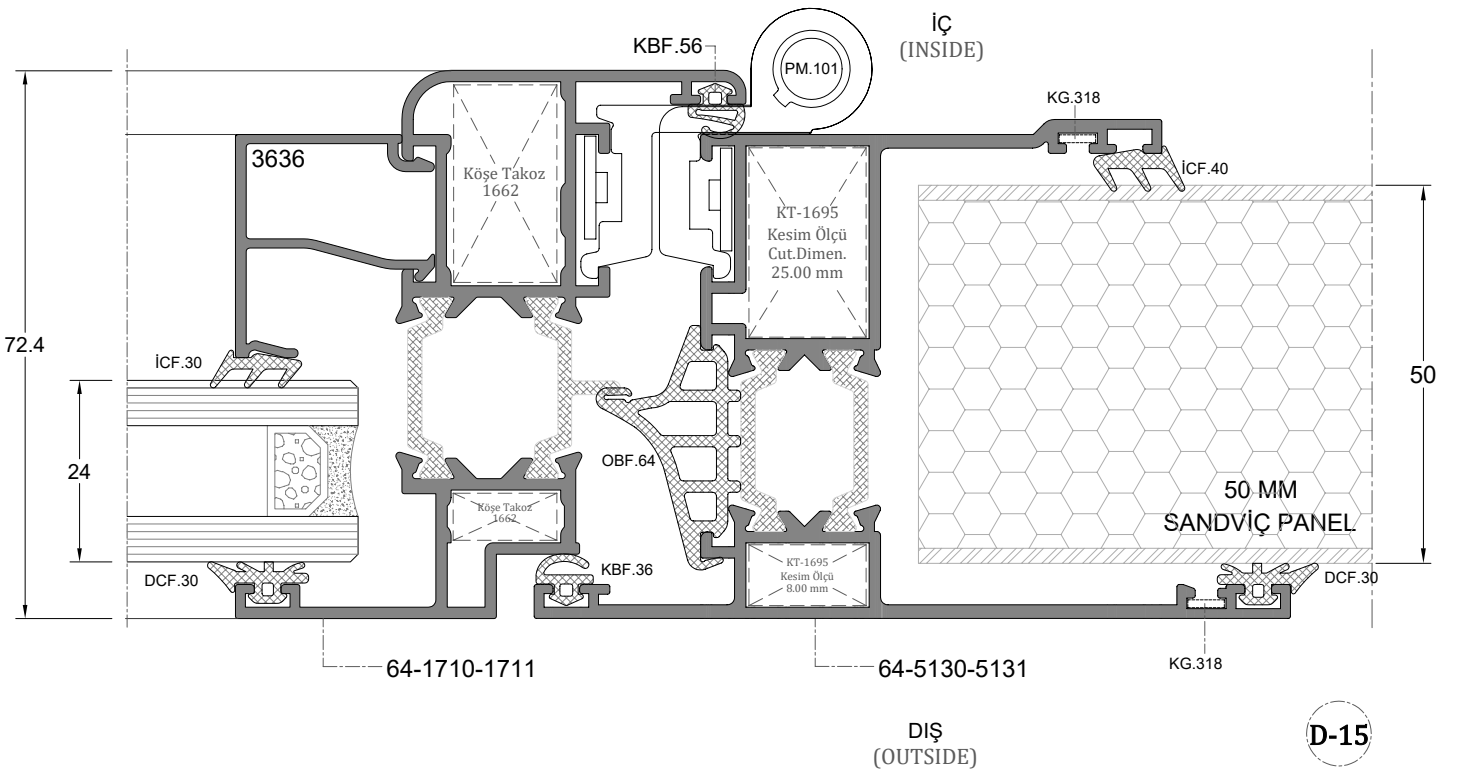
D-13

DIŞ
(OUTSIDE)

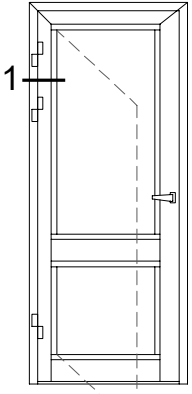
İÇ
(INSIDE)



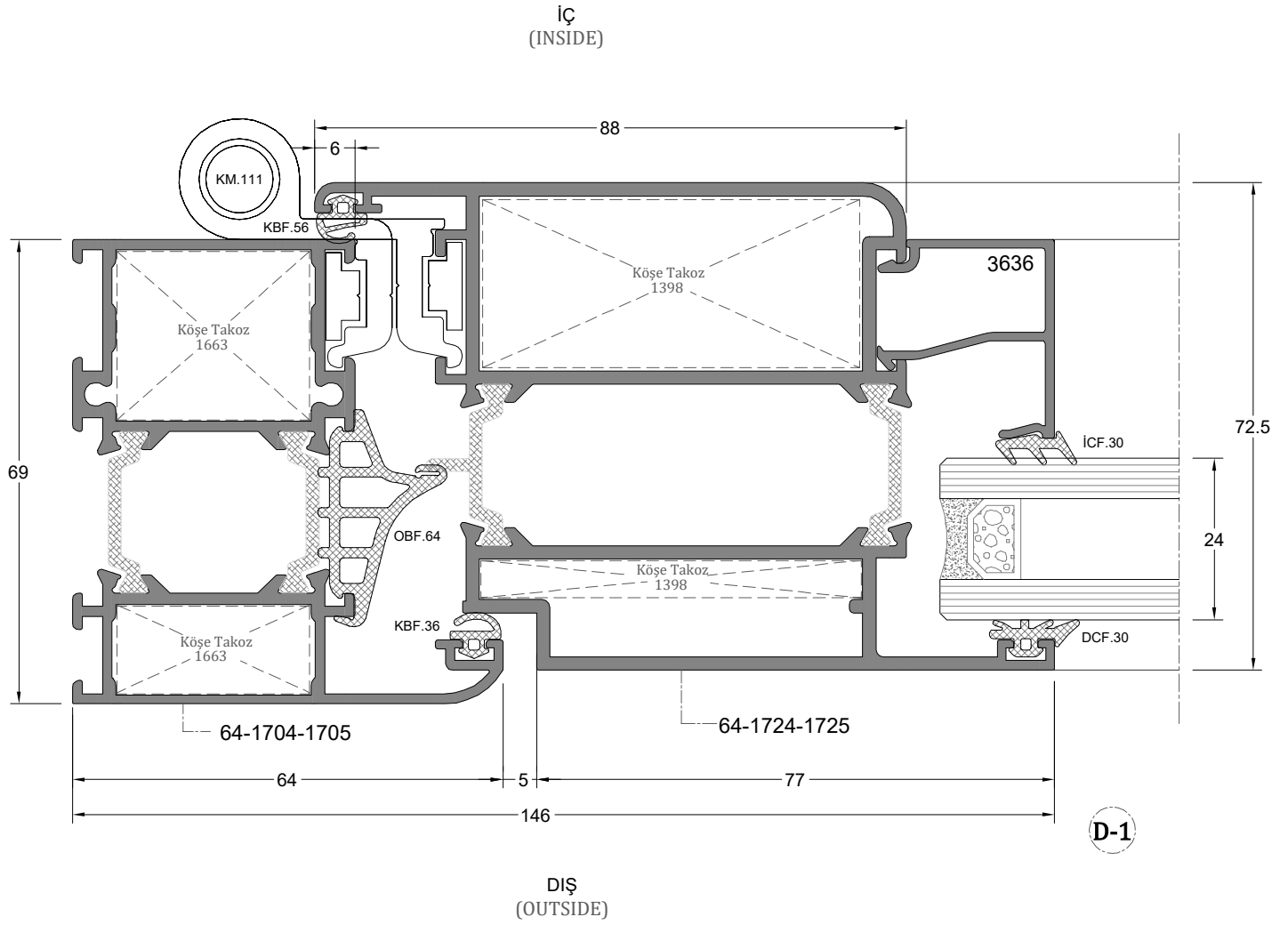
D-14

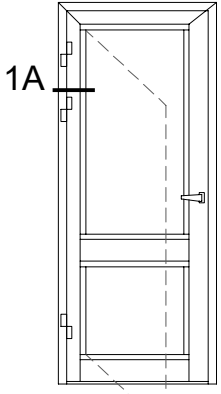


D-15

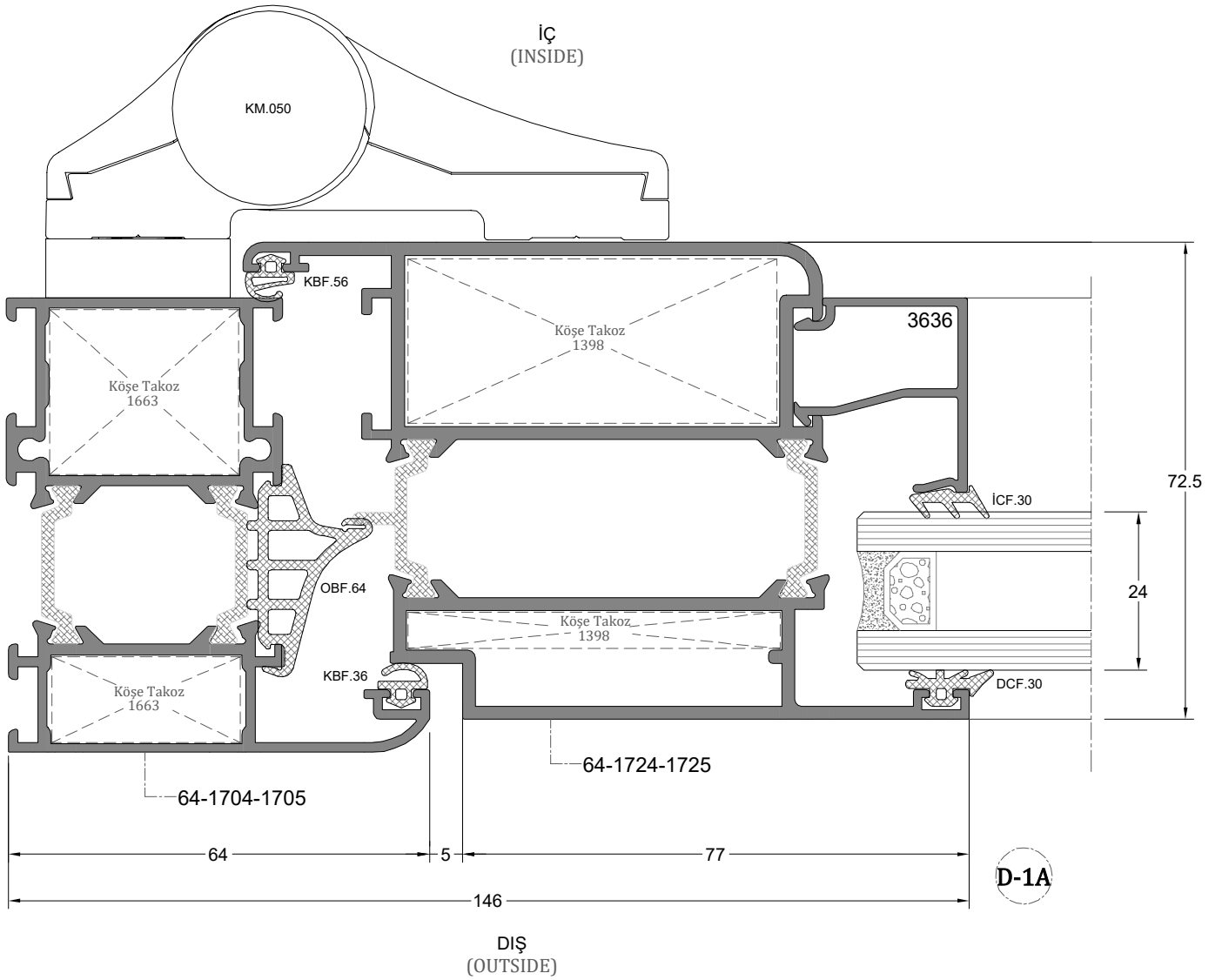


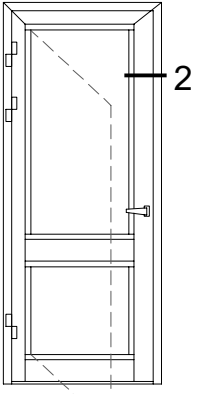
BİNİLİ KAPI DETAY
OVERLAPPING DOOR DETAIL



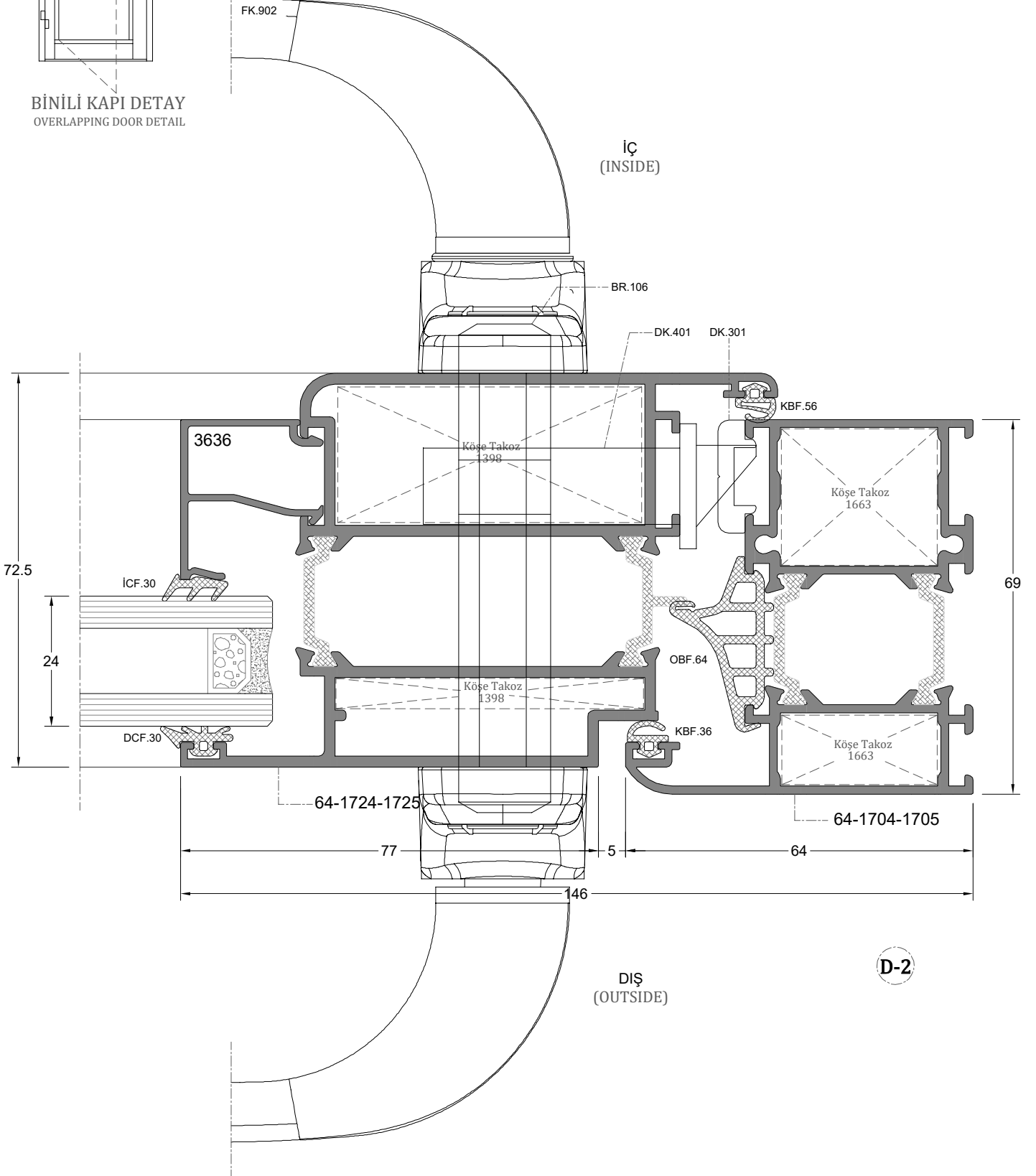


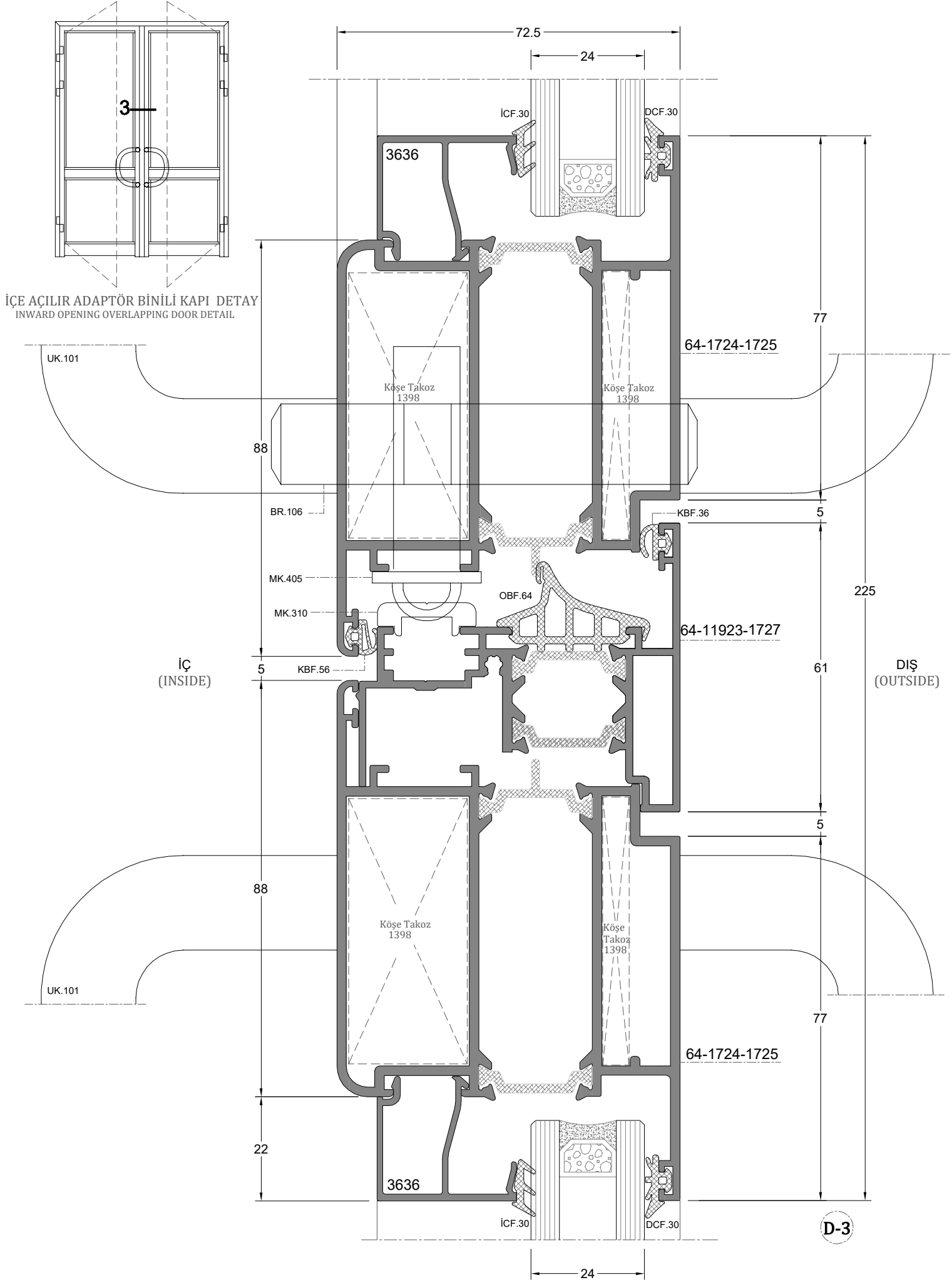
BİNİLİ KAPI DETAY
OVERLAPPING DOOR DETAIL

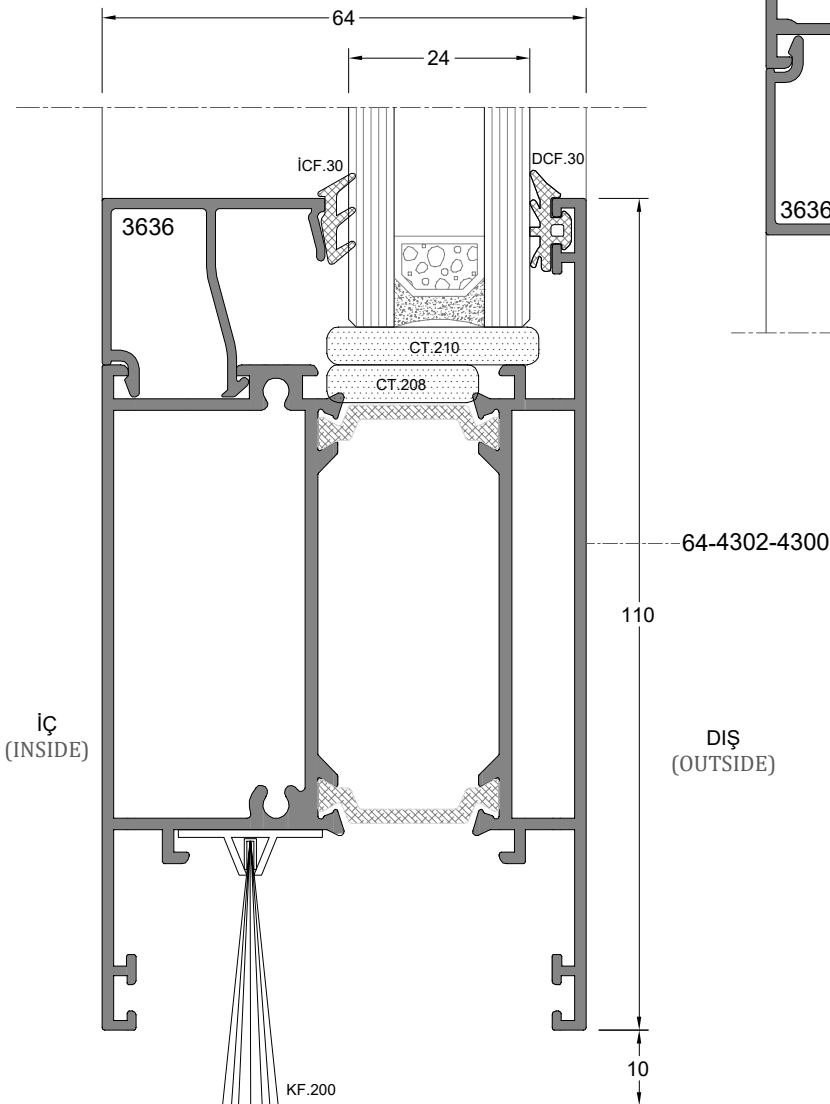
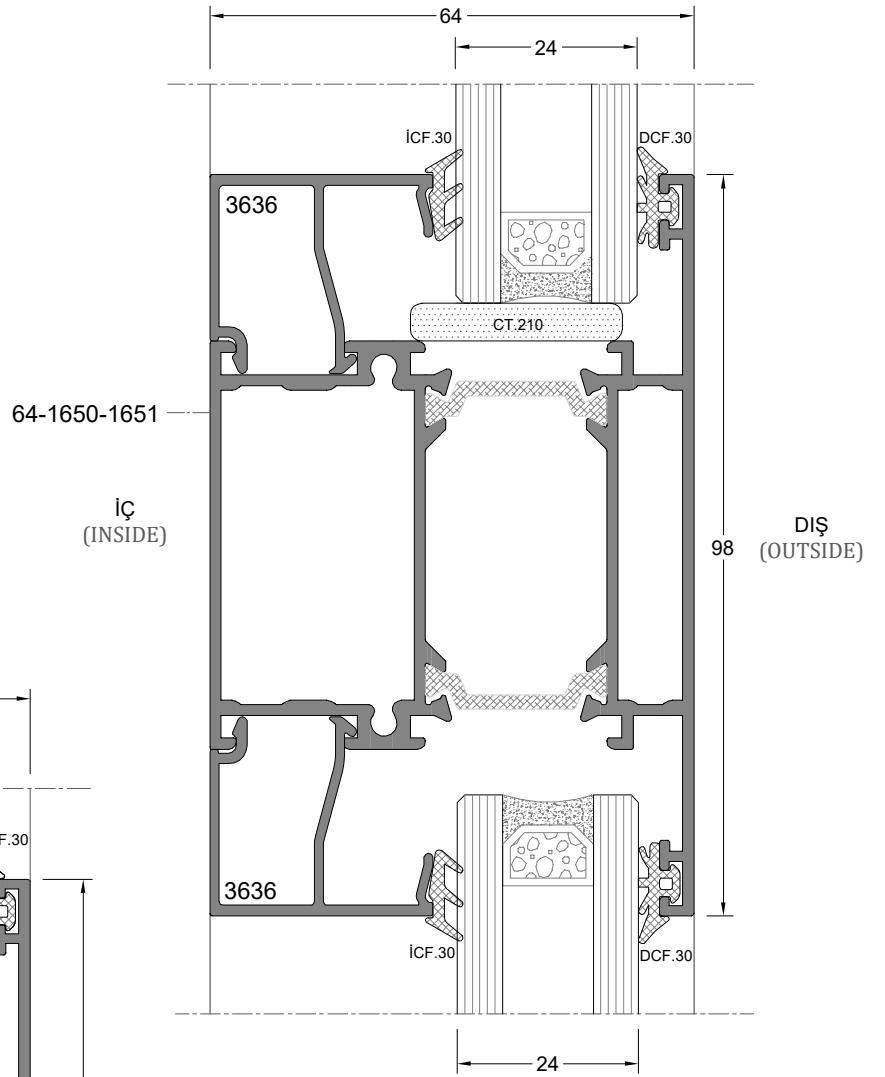
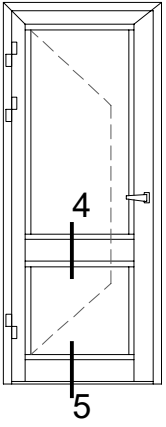




BİNİLİ KAPI DETAY
OVERLAPPING DOOR DETAIL

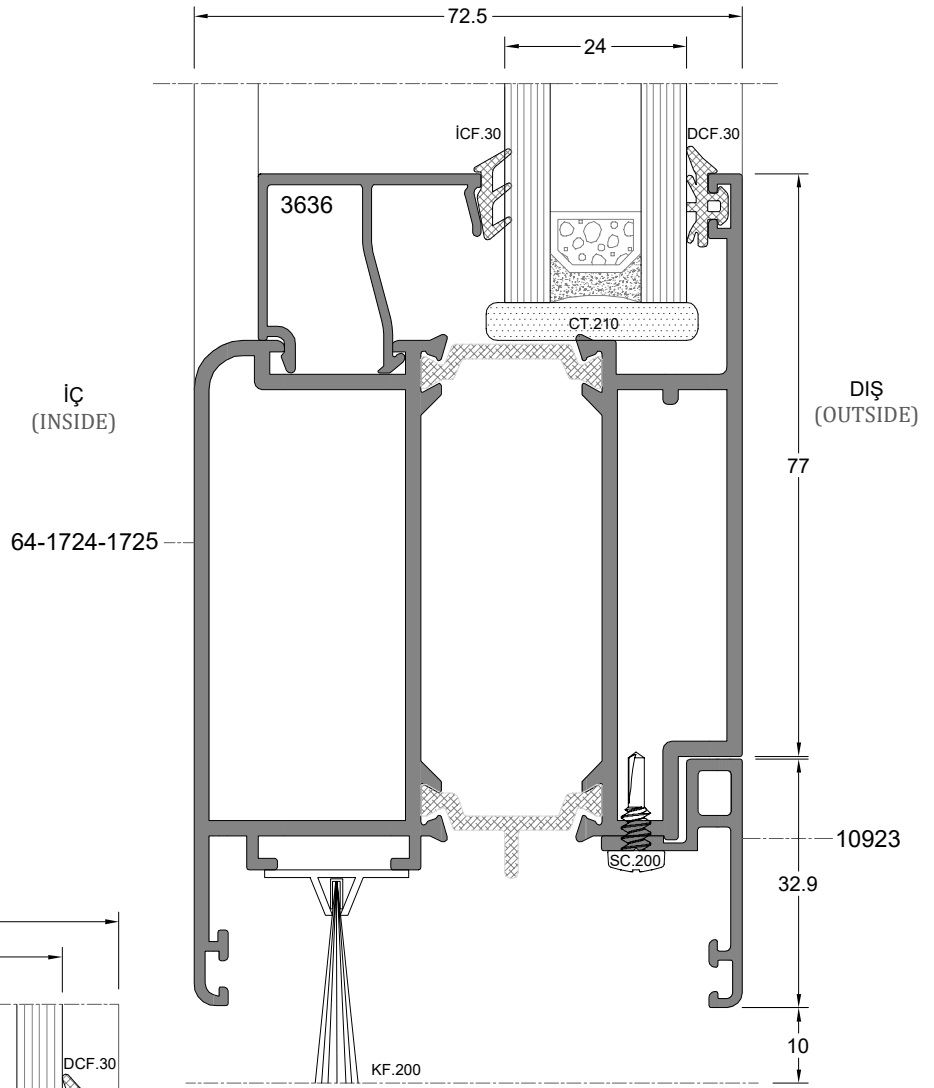
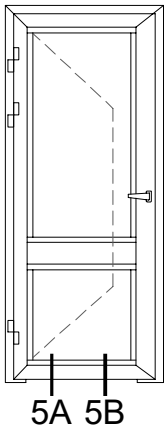




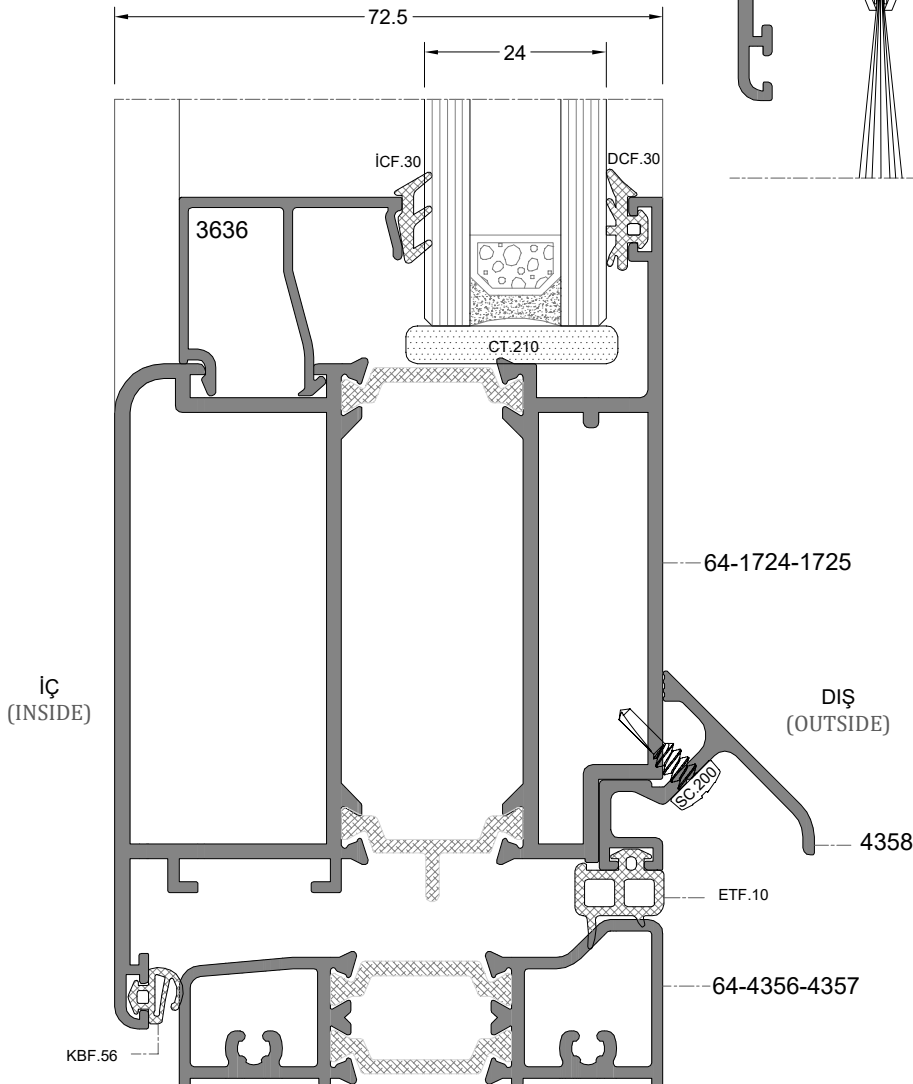


D-4

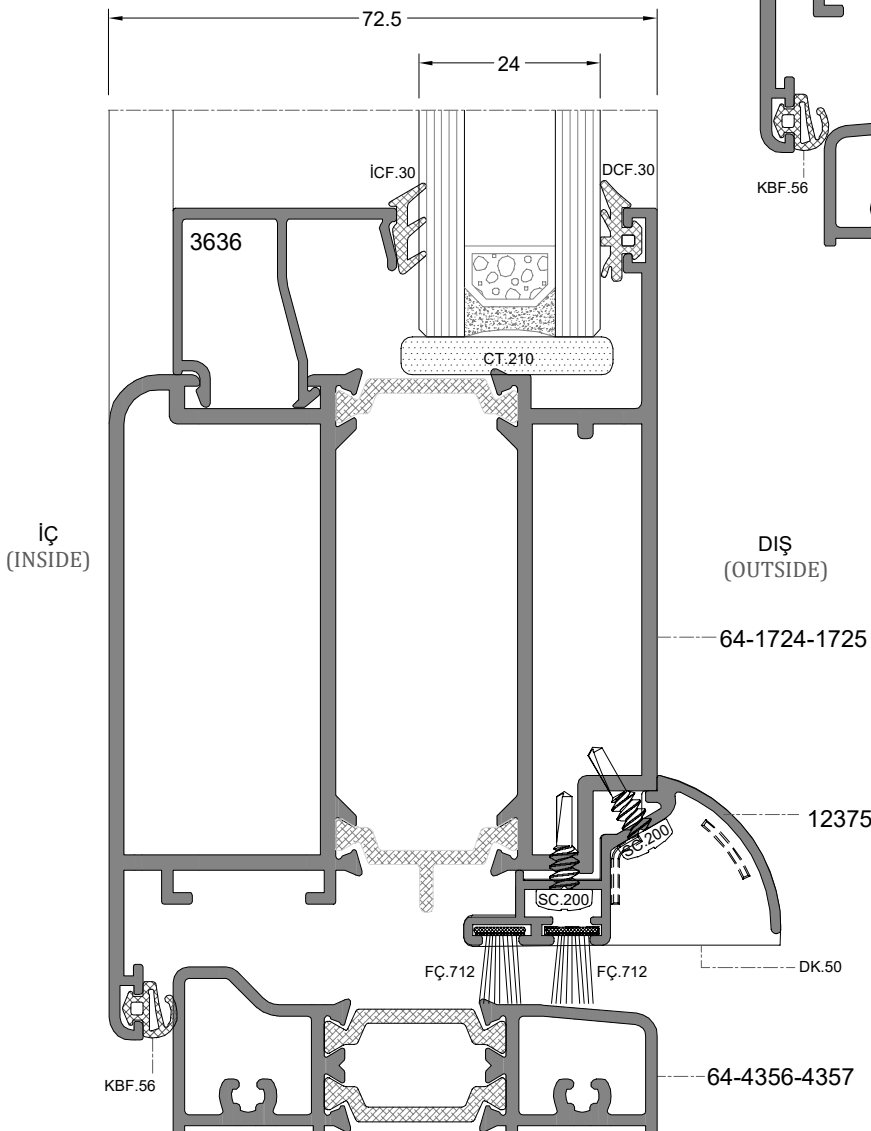
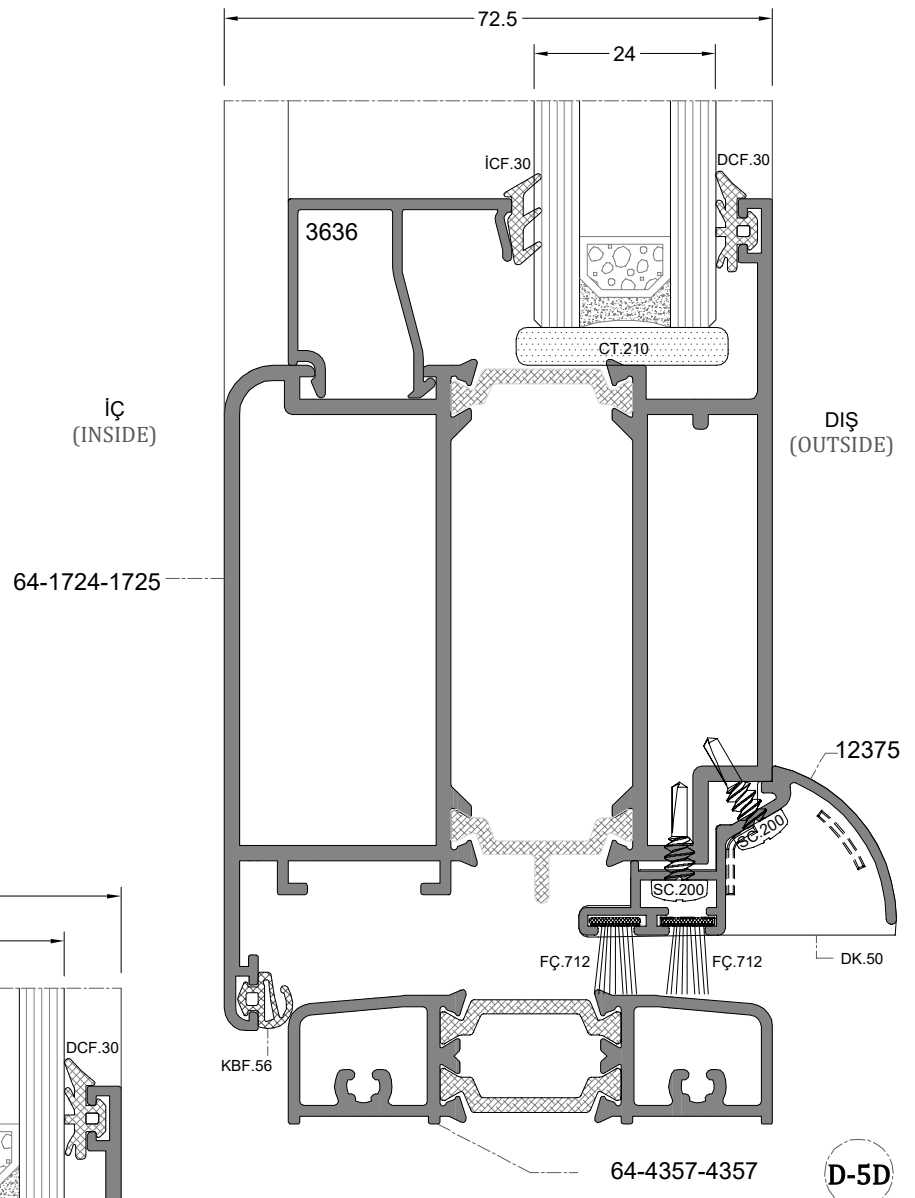
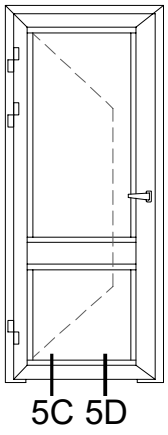
D-5

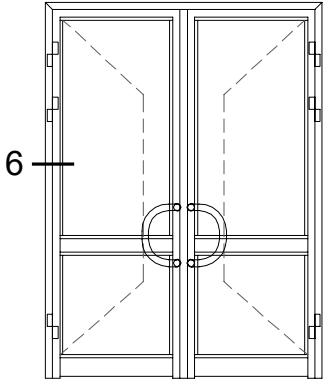


D-5B



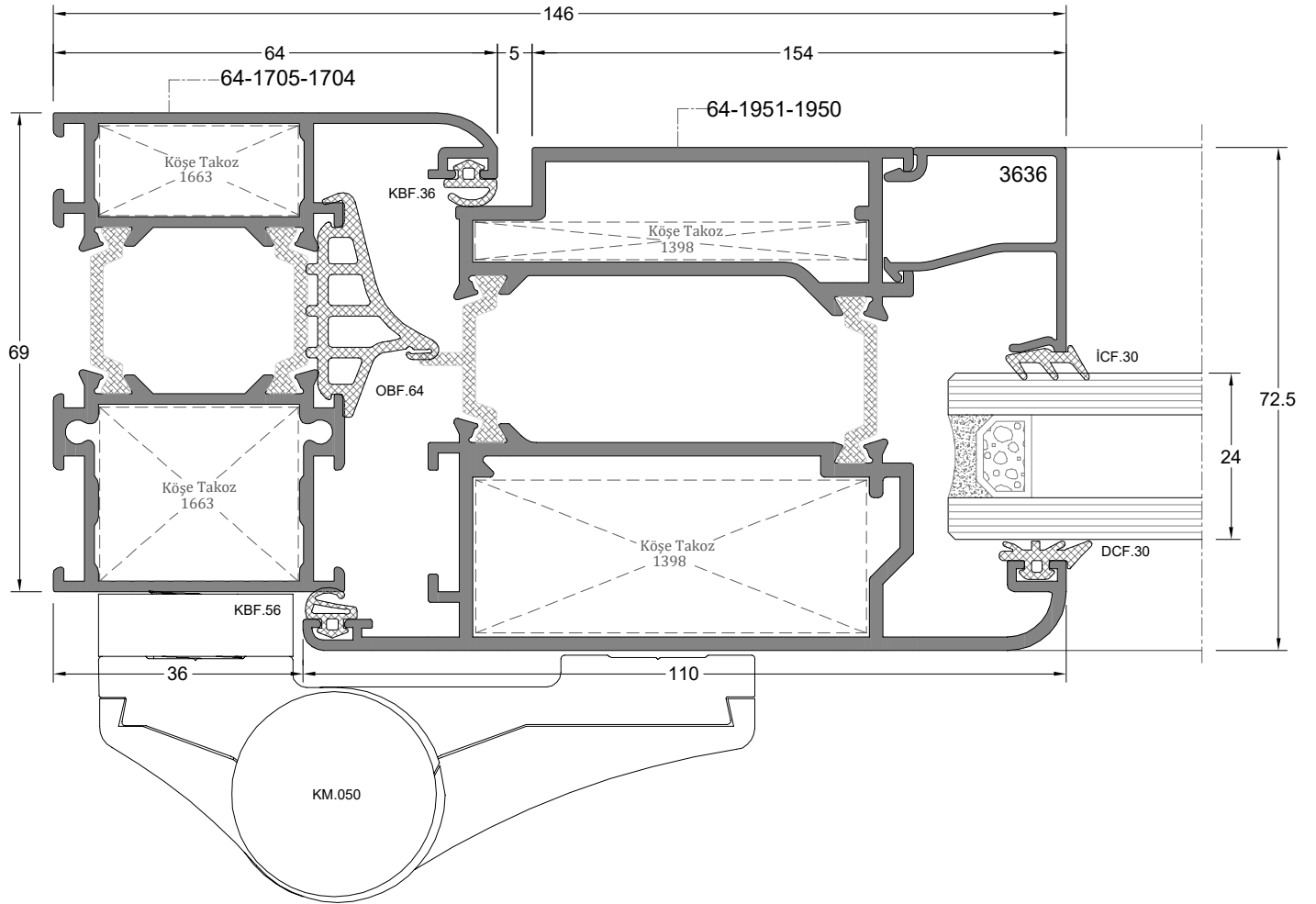
D-5A





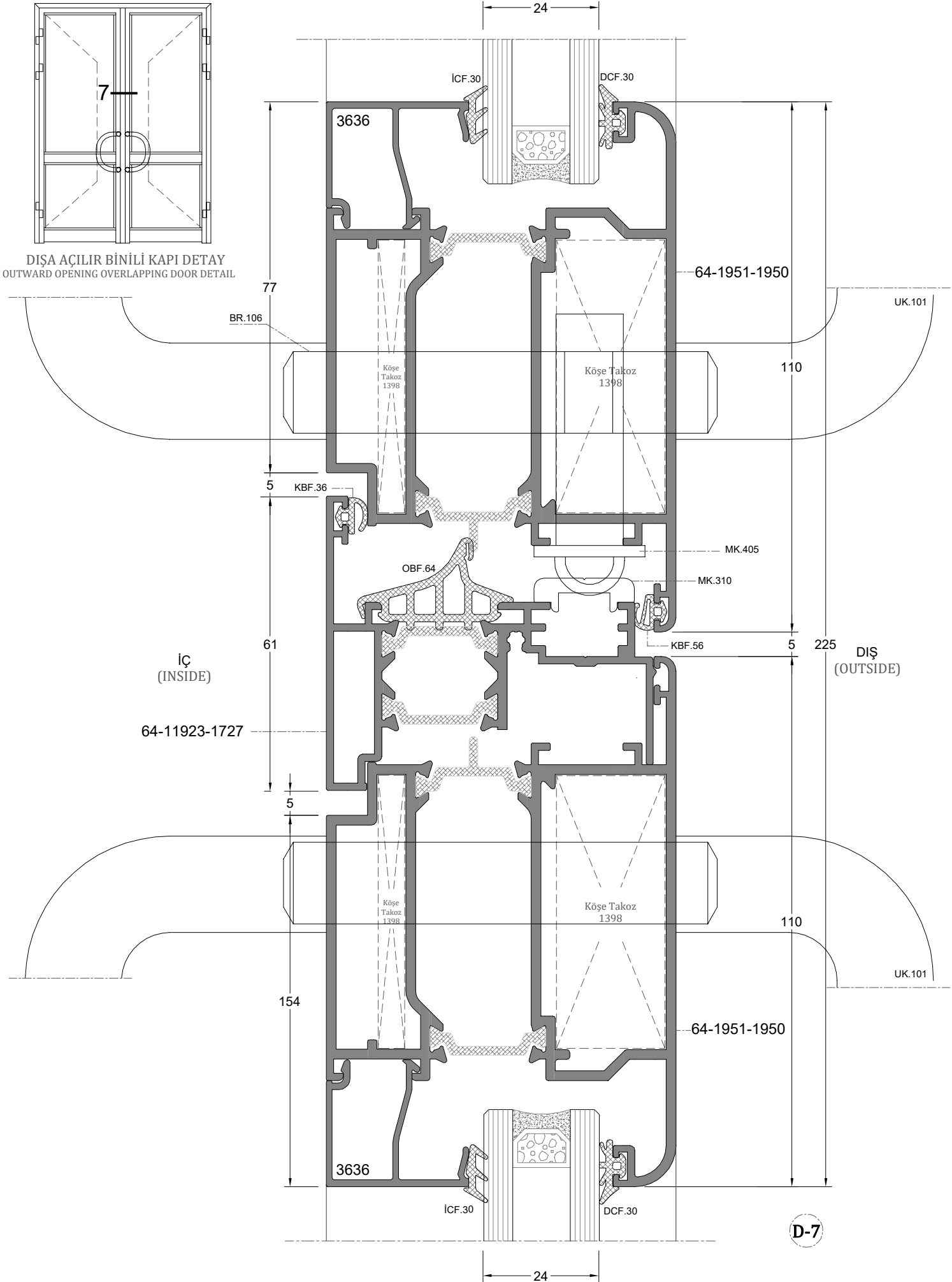
DIŞA AÇILIR BİNİLİ KAPI DETAY
OUTWARD OPENING OVERLAPPING DOOR DETAIL

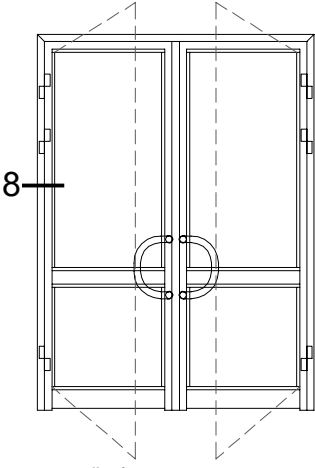
İÇ
(INSIDE)



DIŞ
(OUTSIDE)

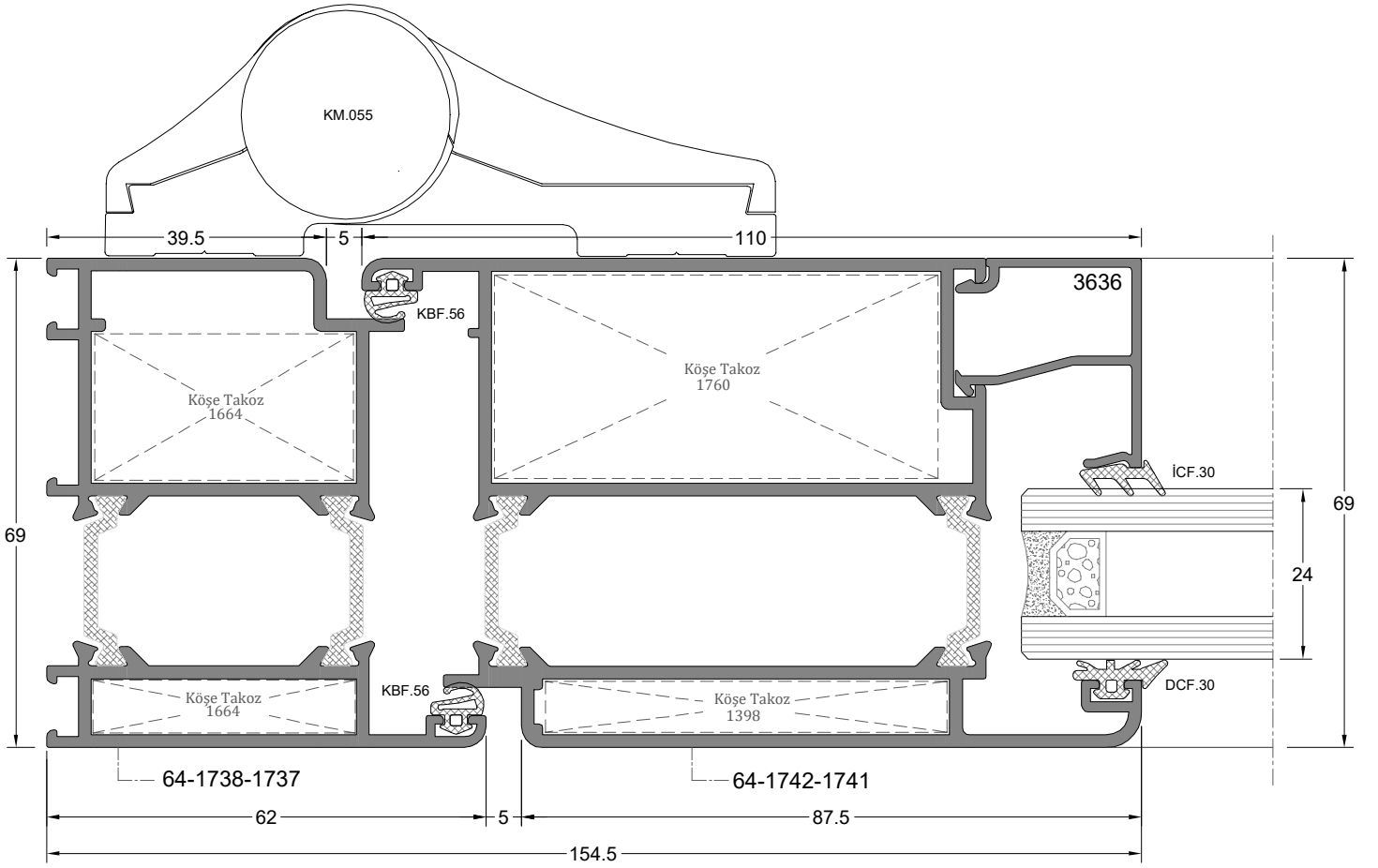
D-6





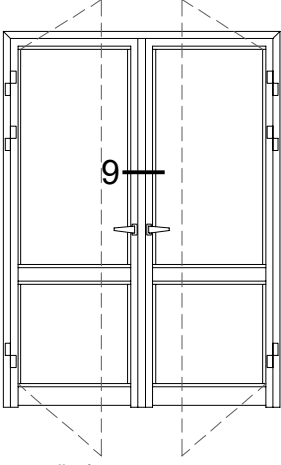
HEMİYÜZ İÇE AÇILIR KAPI DETAY
SYMMETRICAL INWARD OPENING DOOR DETAIL

İÇ
(INSIDE)

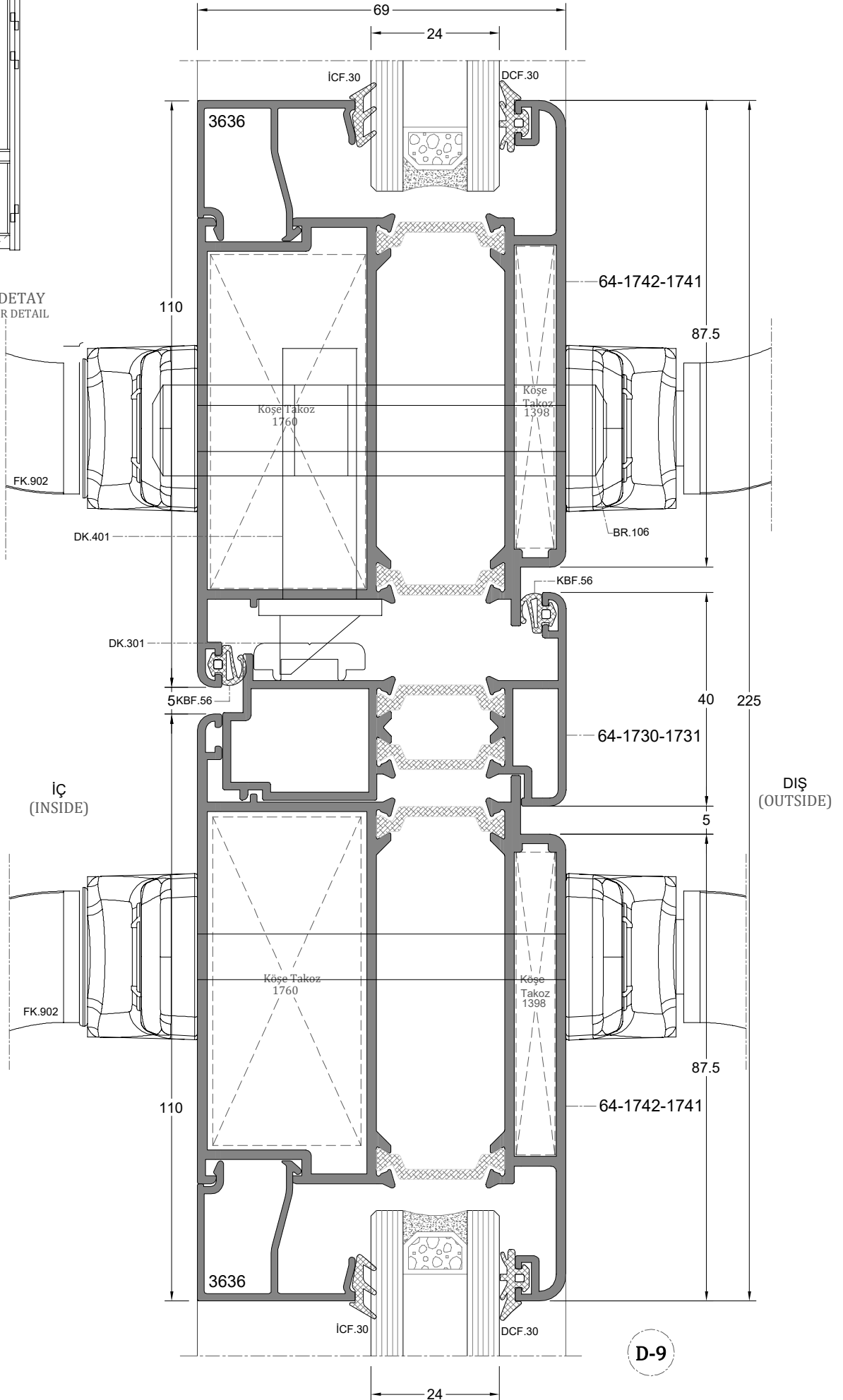


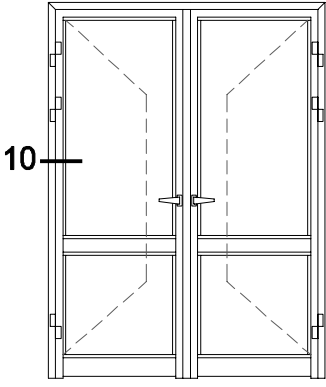
DIŞ
(OUTSIDE)

D-8



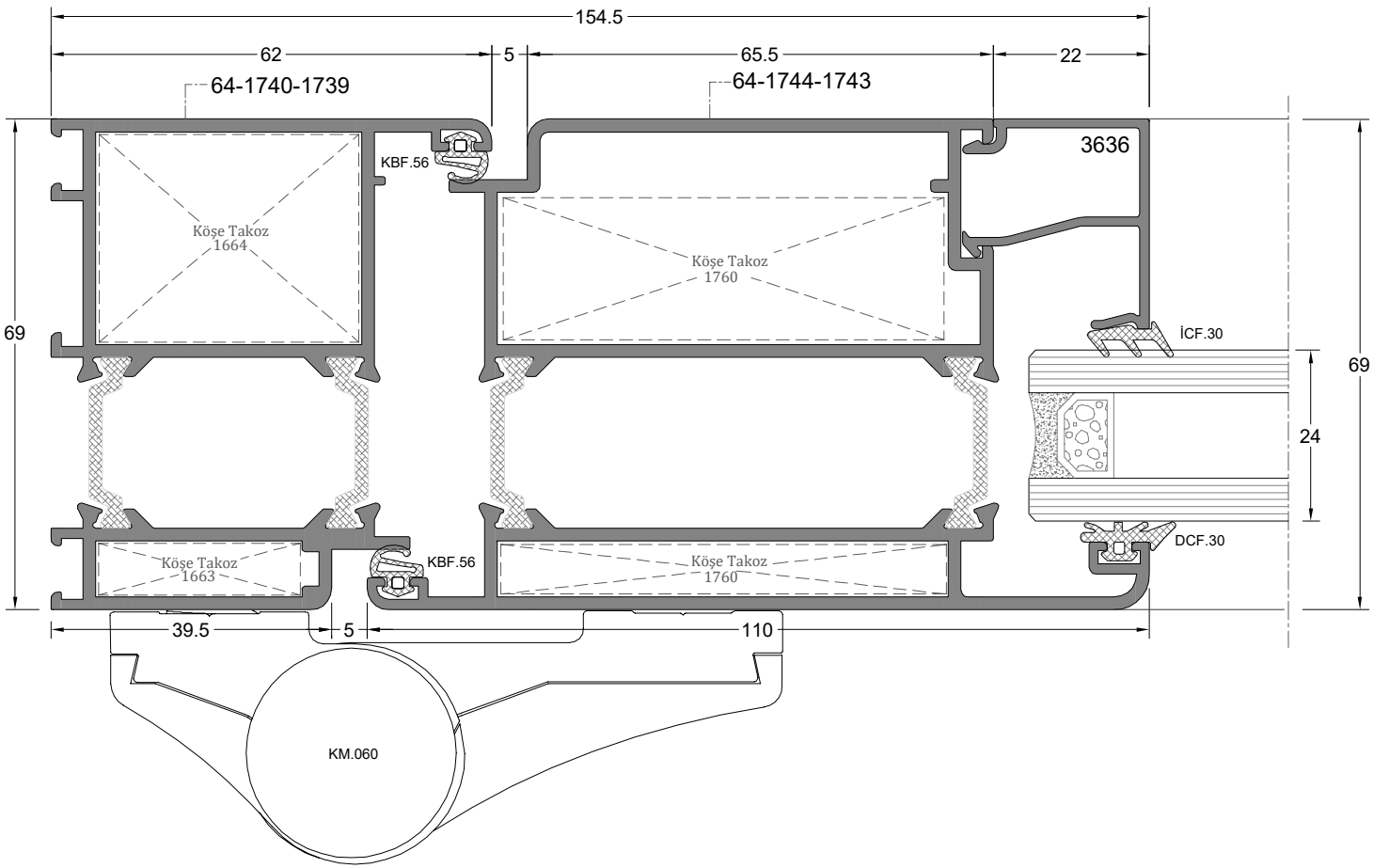
HEMYÜZ İÇE AÇILIR KAPI DETAY
SYMMETRICAL INWARD OPENING DOOR DETAIL





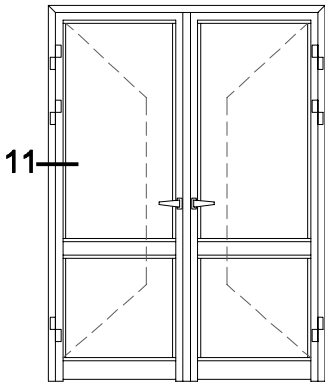
HEMYÜZ DIŞA AÇILIR KAPI DETAY
SYMMETRICAL OUTWARD OPENING DOOR DETAIL

İÇ
(INSIDE)



DIŞ
(OUTSIDE)

D-10



HEMYÜZ DIŞA AÇILIR KAPI DETAY
SYMMETRICAL OUTWARD OPENING DOOR DETAIL

